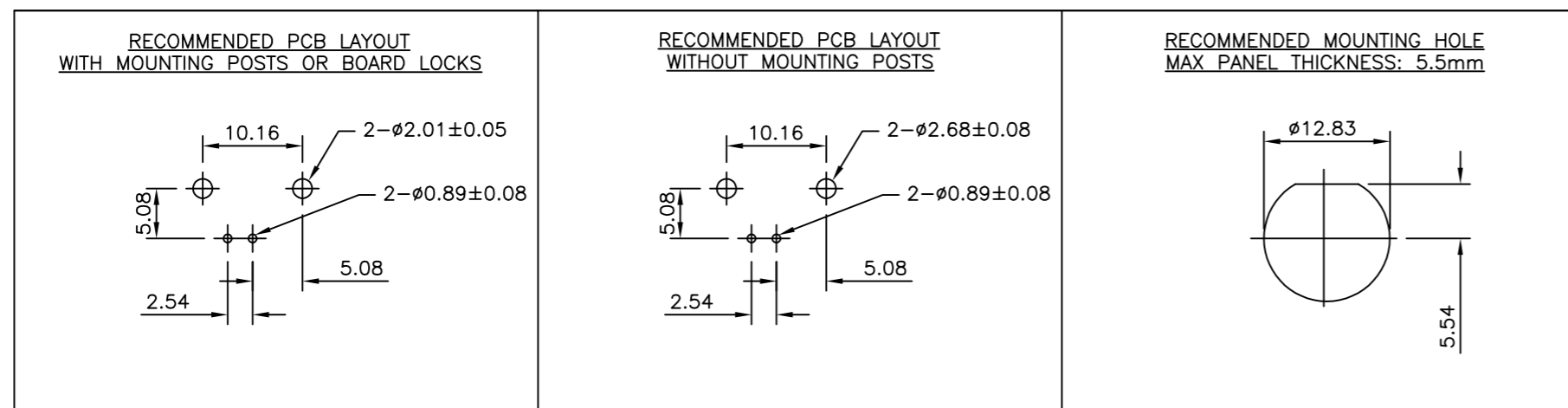
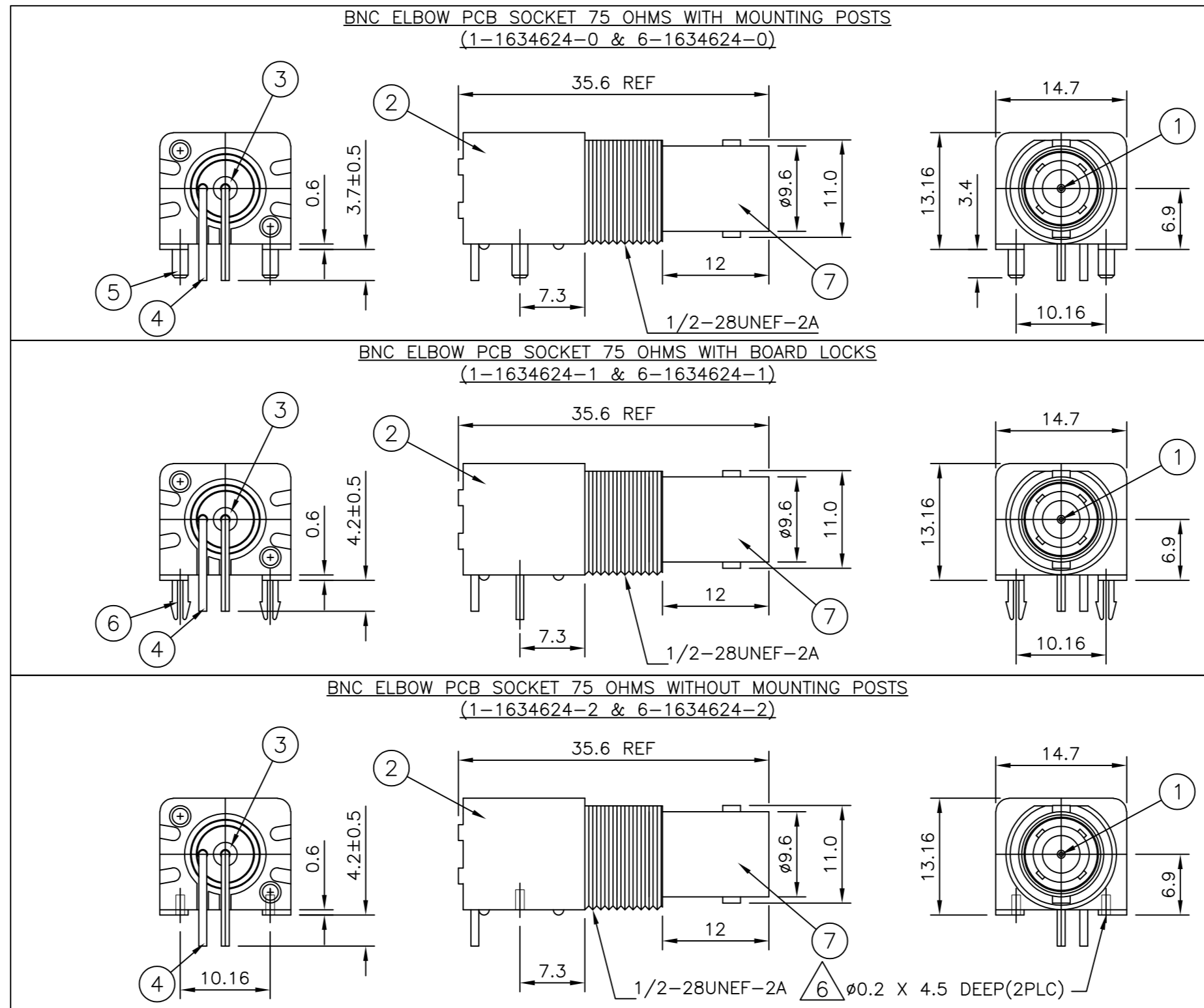


LOC		DIST		REVISIONS			
P	LTR	DESCRIPTION	DATE	DWN	APVD		
B		ECO-09-003420	05 Mar 09	RITA	BOB		
C		ECO-12-014680	20Aug2012	TITAN	MARTIN		
D		ECO-12-018113	27DEC2012	TITAN	MARTIN		

- NOTES:**
- 1 SINGLE PACK IN ACCORDANCE WITH AMP SPEC 107-3275
  - 2 50 TRAY PACK IN ACCORDANCE WITH AMP SPEC 107-3275
  - 3 Au PLATING OVER Ni PLATING OVER Cu PLATING
  - 4 Ni PLATING OVER Cu PLATING
  - 5 TIN PLATING
  - 6 RECOMMENDED SELF-TAPPING SCREW 221108-4
  - 7 RECOMMENDED MOUNT NUT 1-1634816-0
  - 8 RECOMMENDED LOCKWASHER 1-1634817-0
  - 9 FOR TECHNICAL DATA REFER TO YOUR LOCAL TYCO ELECTRONICS SALES OFFICE
  - 10 ALL DIMENSIONS ARE NOMINAL FOR REFERENCE ONLY UNLESS OTHERWISE STATED



Obsol	Obsol	Obsol	Obsol	Obsol	Obsol					
1	1	1	1	1	1	ZINC DIECAST	△	BODY	7	
-	-	2	2	-	-	BRASS	△	BOARD LOCK	6	
-	-	-	-	2	2	BRASS	△	MOUNTING POST	5	
1	1	1	1	1	1	BRASS	△	SOLDER TAIL	4	
1	1	-1	1	1	1	PE-606		INSULATOR	3	
1	1	1	1	1	1	PBT BLACK		HOUSING	2	
1	1	1	1	1	1	BRASS	△	CONTACT	1	
6--2	1--2	6--1	1--1	6--0	1--0	MATERIAL		DESCRIPTION	ITEM	
△	△	△	△	△	△	QUANTITY PER ASSY				
PARTS LIST										

THIS DRAWING IS A CONTROLLED DOCUMENT. DWN: RITA ZUO 05 Mar 09  
 CHK: ANSON MA 05 Mar 09  
 APVD: BOB ZHAO 05 Mar 09

**TE Connectivity**

NAME: BNC LOW PROFILE R/A INSULATED PCB SOCKET  
 PRODUCT SPEC: 108-112000  
 APPLICATION SPEC: -

SIZE: A2 CAGE CODE: 00779 DRAWING NO: C=1634624 RESTRICTED TO: -  
 WEIGHT: - SCALE: NTS SHEET: 1 OF 1 REV: D

CUSTOMER DRAWING

单击下面可查看定价，库存，交付和生命周期等信息

[>>TE Connectivity\(泰科\)](#)