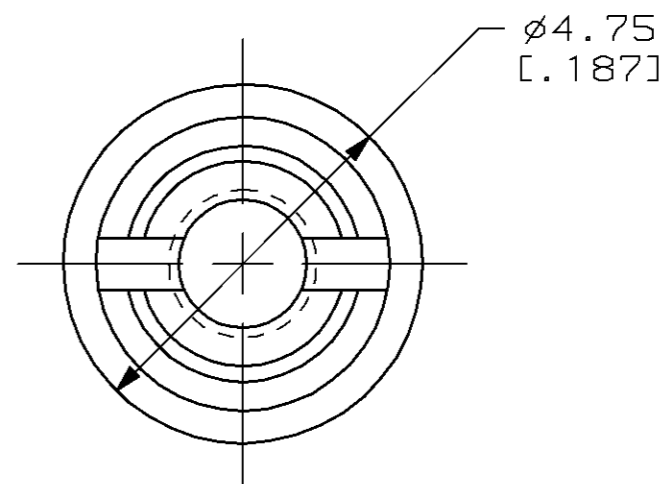
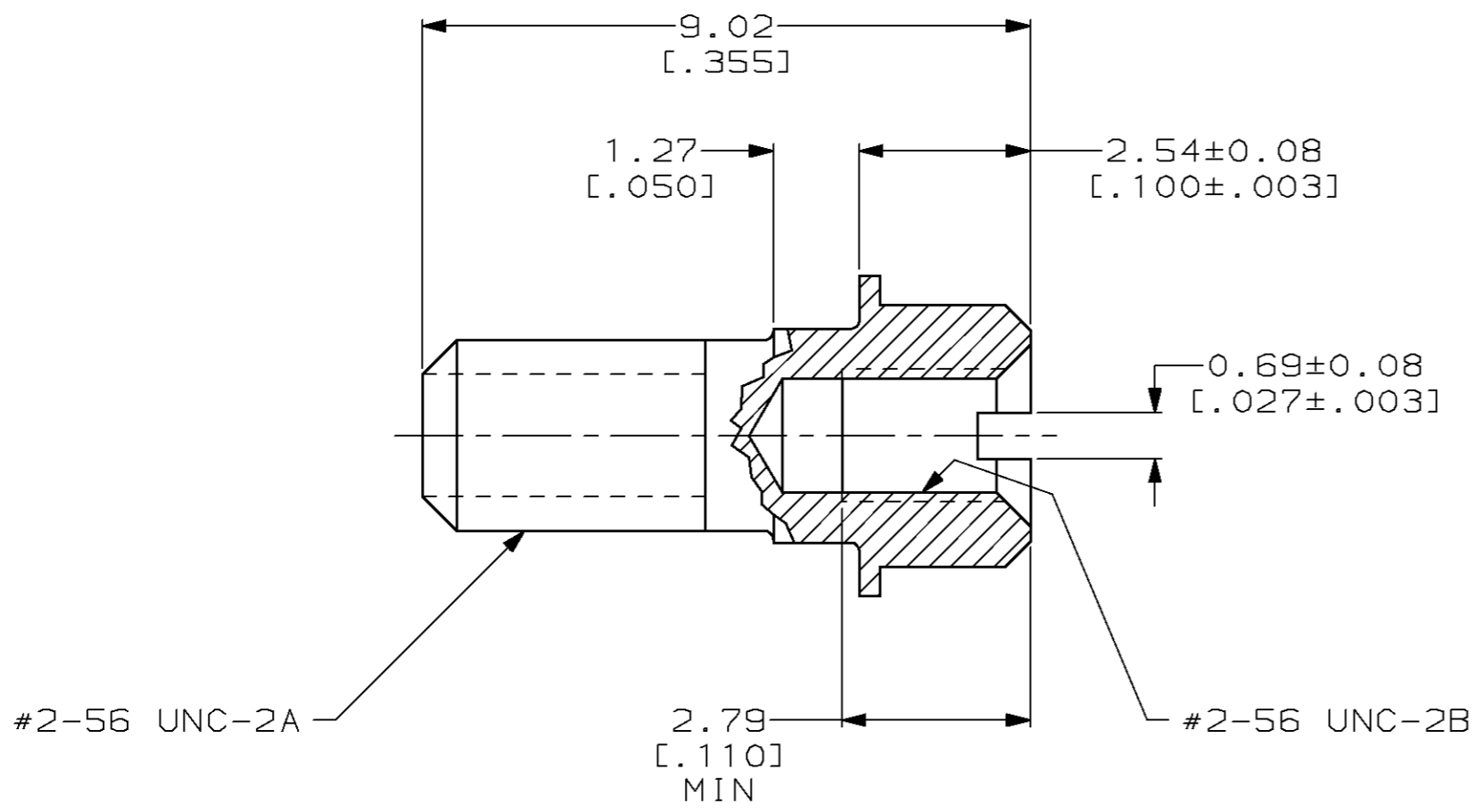


THIS DRAWING IS UNPUBLISHED. RELEASED FOR PUBLICATION, 19 .
 © COPYRIGHT 19 BY AMP INCORPORATED. ALL RIGHTS RESERVED.

LOC	DIST	REVISIONS			
P	LTR	DESCRIPTION	DATE	DWN	APVD
BD	95	0	RELEASED -2	15 JUN 98	-



750643-2
 PART NUMBER

THIS DRAWING IS A CONTROLLED DOCUMENT.		DWN B. CARBO	15 JUN 98	AMP Incorporated Harrisburg, PA 17105-3608											
DIMENSIONS: mm [INCHES]		CHK R. STONE	16 JUN 98												
TOLERANCES UNLESS OTHERWISE SPECIFIED:		APVD D. ALBERT	16 JUN 98												
<table border="1"> <tr><td>0 PLC</td><td>±-</td></tr> <tr><td>1 PLC</td><td>±-</td></tr> <tr><td>2 PLC</td><td>±0.13 [.005]</td></tr> <tr><td>3 PLC</td><td>±-</td></tr> <tr><td>4 PLC</td><td>±-</td></tr> <tr><td>ANGLES</td><td>±-</td></tr> </table>		0 PLC	±-		1 PLC	±-	2 PLC	±0.13 [.005]	3 PLC	±-	4 PLC	±-	ANGLES	±-	PRODUCT SPEC 108-1228
0 PLC	±-														
1 PLC	±-														
2 PLC	±0.13 [.005]														
3 PLC	±-														
4 PLC	±-														
ANGLES	±-														
MATERIAL STAINLESS STEEL	FINISH -	APPLICATION SPEC 114-40029	WEIGHT -	SIZE A3											
CUSTOMER DRAWING			SCALE 10:1	CAGE CODE 00779											
			DRAWING NO 750643	SHEET 1 OF 1											
			RESTRICTED TO -	REV 0											

单击下面可查看定价，库存，交付和生命周期等信息

[>>TE Connectivity\(泰科\)](#)