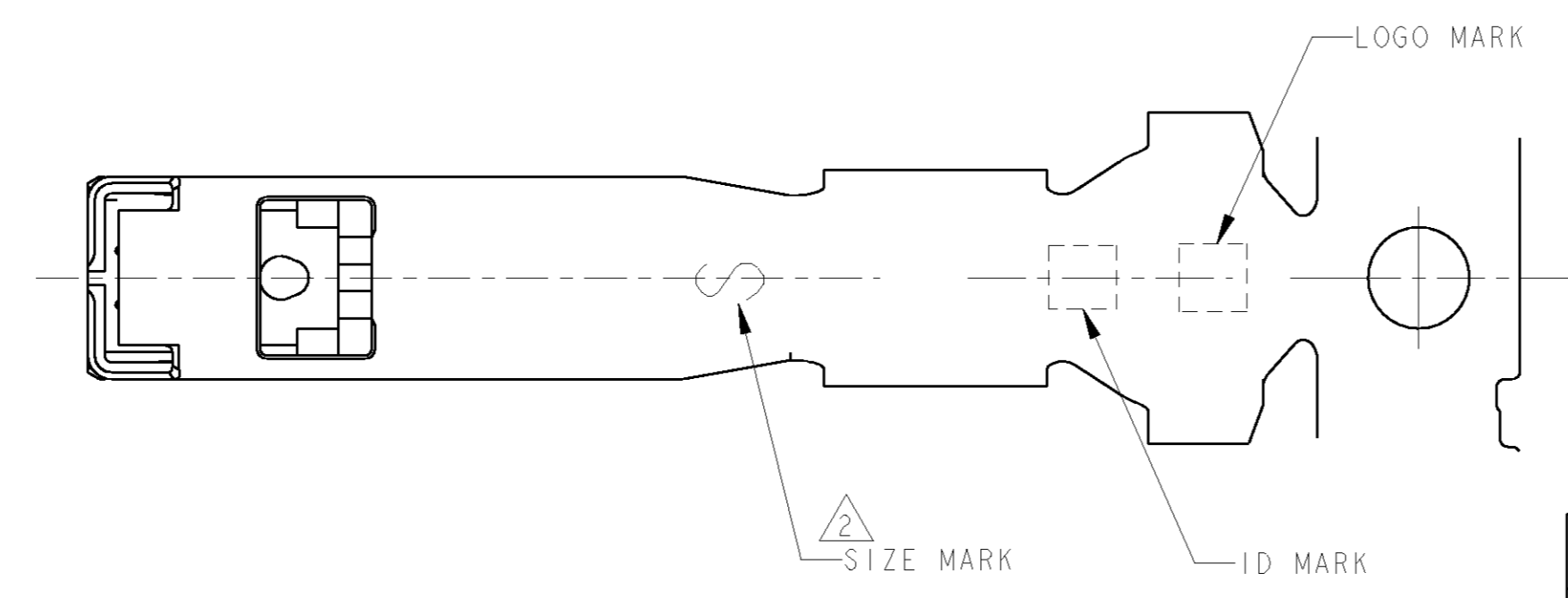
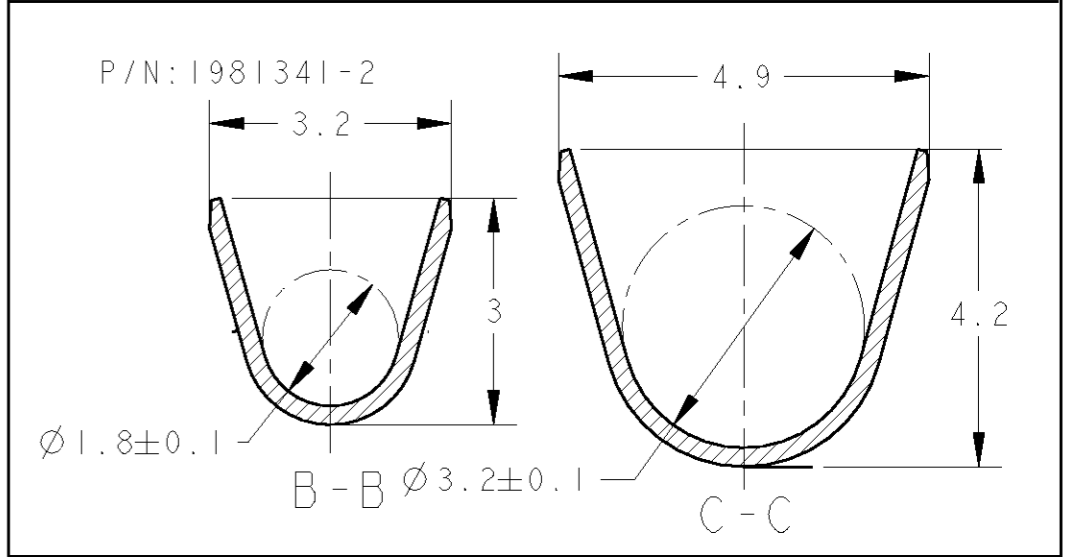
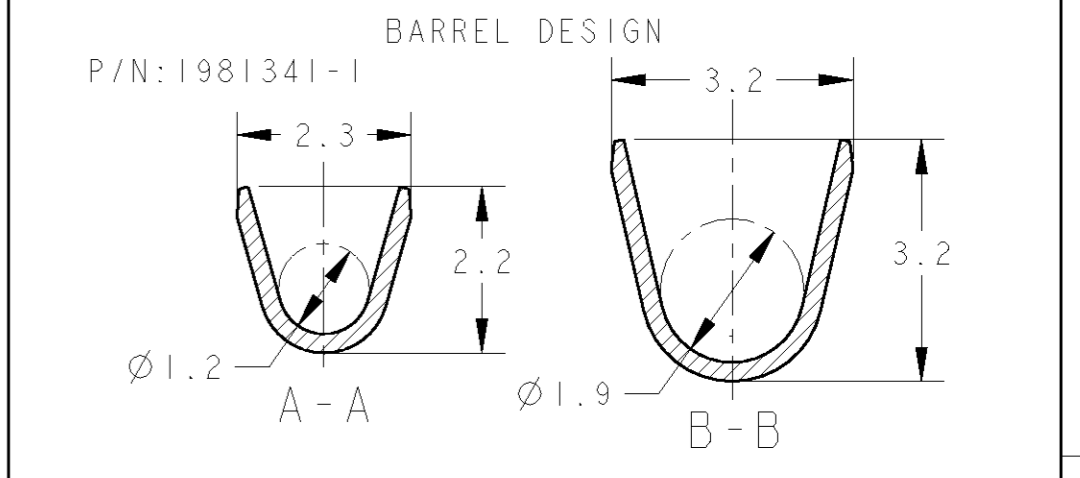
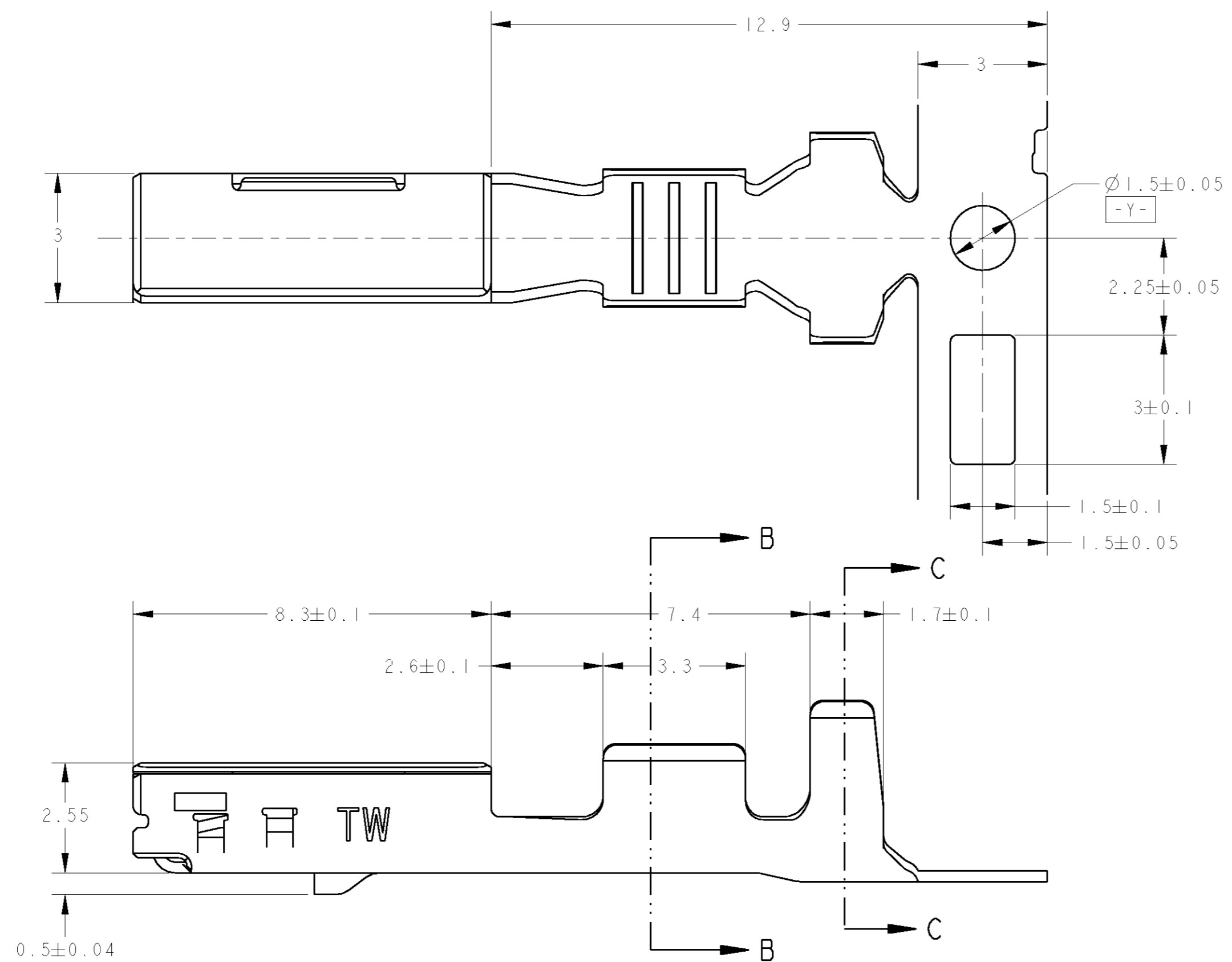


THIS DRAWING IS UNPUBLISHED. RELEASED FOR PUBLICATION 20
 © COPYRIGHT 20 BY TYCO ELECTRONICS CORPORATION. ALL RIGHTS RESERVED.

REVISONS					
REV	DATE	DESCRIPTION	DATE	DWN	APVD
A	26JUL2007	RELEASED	26JUL2007	S.F	Y.F
B	10JUL2008	REVISED ECR-08-014436	10JUL2008	S.F	Y.F



△ アプリケーター送りピッチ: 1.3mm
表参照

△ APPLICATOR FEED; 1.3mm
SEE TABLE

AVS/CAVS/CAVUS 0.85-1.25 AVSS 0.75f, 0.85-2.0	M	1981341-2
AVS/CAVS/AVSS/CAVUS 0.3-0.5 AVX/AEX/ABAVX 0.5f	S	1981341-1
APPLICABLE WIRE RANGE	SIZE MARK	PART NO

THIS DRAWING IS A CONTROLLED DOCUMENT FOR TYCO ELECTRONICS CORPORATION IT IS SUBJECT TO CHANGE AND THE CONTROLLING ENGINEERING ORGANIZATION SHOULD BE CONTACTED FOR THE LATEST REVISION.		DWN S. FURUYA 26JUL2007	Tyco Electronics Kawasaki, Japan	
DIMENSIONS: 単位: 純 mm		CHK T. KOHNO 26JUL2007	NAME 2.3 UNSEALED TW RECEPTACLE CONTACT	
TOLERANCES UNLESS OTHERWISE SPECIFIED: 一般公差 ±0.3 0-PLC ± 1-PLC ±0.5 2-PLC ±0.13 3-PLC ±0.013 4-PLC ±0.001 ANGLES ±3°00'		APVD Y. FUJIWARA 26JUL2007	PRODUCT SPEC 108-78408	
MATERIAL 材料 銅合金		FINISH 仕上 PRE-TIN	APPLICATION SPEC 取付適用規格 114-5411	RESTRICTED TO
WEIGHT 0.4g		SIZE A2	CAGE CODE 00779	DRAWING NO 1981341
CUSTOMER DRAWING		SCALE 10:1	SHEET 1	REV B

单击下面可查看定价，库存，交付和生命周期等信息

[>>TE Connectivity\(泰科\)](#)