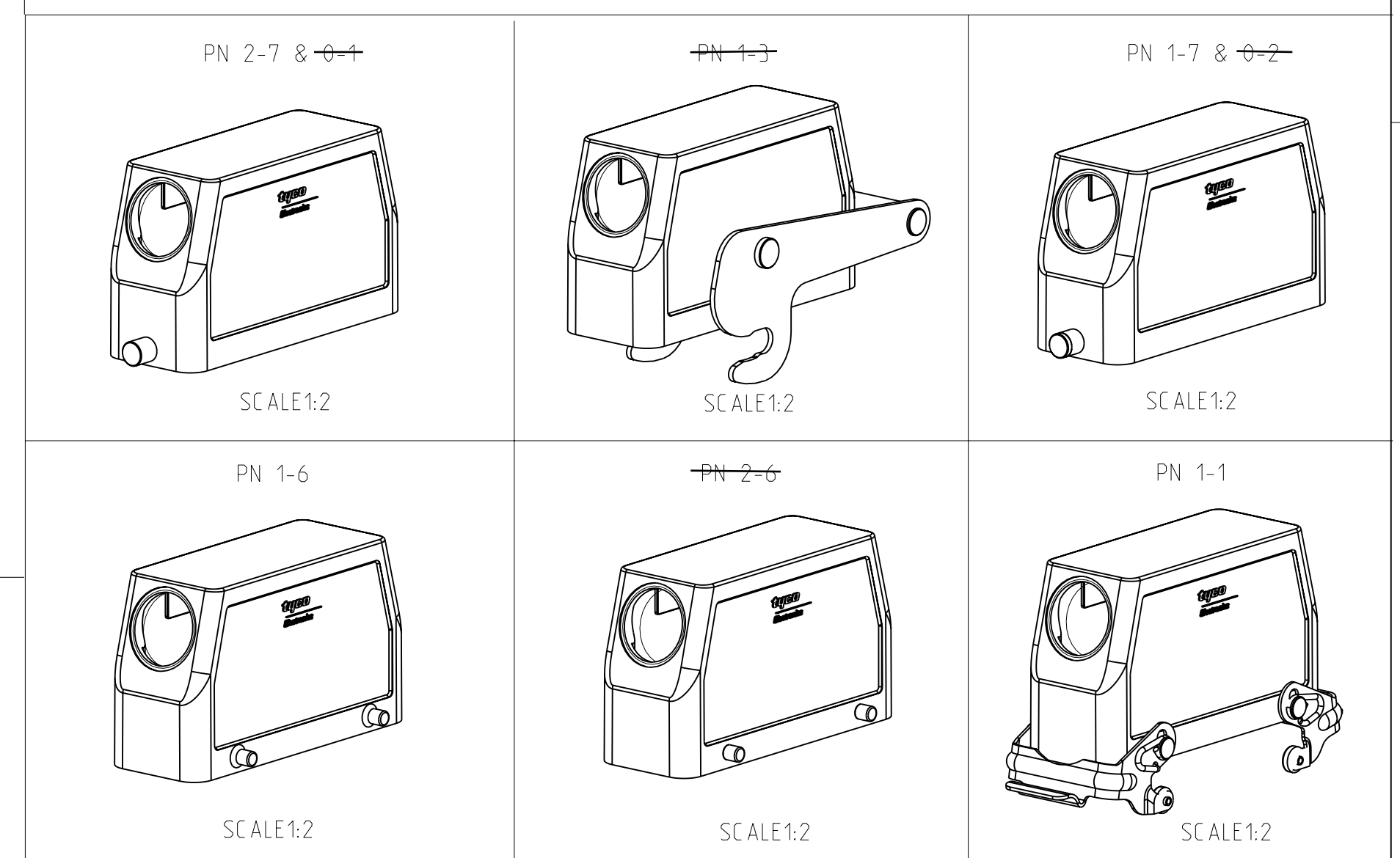


REVISONS		DATE	DWN	APVD
A3	Released as per ECR-07-019955	22.08.07	SK	TS
A4	REVISED PER ECR-16-016768	24JAN2018	SRG	MKO
A5	ECR-17-013084	29MAR18	SG	MKO

- NOTES.
- 1 Material:Housing:Aluminium Diecasting Alloy
 - 2 Surface:Varnish grey
-Aluminium oxide-
Varnish black
 - 3 Varnish on the inside not necessary
 - 4 Packaging
Quantity 5 Pieces in a box
- 5 OBSOLETE**



QTY	DESCRIPTION	MATERIAL	SURFACE	COLOR	ITEM NO	REMARKS
1	Hood HB	Aluminium	-	Grey	9	Neutral
1	Hood HB-K	Aluminium	Aluminium oxide	Aluminium-colored	8	Special lacquer finish
1	ZB-Central clip	Steel	Zinc plated	Blue	7	
2	LB-Clip bolt	Stainless steel	Blank	-	6	
2	LB-Clip bolt	Steel	Zinc plated	Blue	5	
2	VS-Side clip	Steel	Zinc plated	Blue	4	
4	VS-Clip bolt	Stainless steel	Blank	-	3	
1	HB-K Hood	Aluminium	Aluminium oxide	Black	2	
1	HB Hood	Aluminium	-	Grey	1	

AMP 4805 REV 31MAR2000

Downloaded From Coneyac.com

PROF/ENGINEER DRAWING

DATE: 05.06.00
 DWN: Schneider
 CHK: Schweiger
 APVD: -

NAME: Hood
 HB.24.STS.1.21.G

PRODUCT SPEC: 108-74001
 108-74003
 APPLICATION SPEC: 114-74001
 114-74004

SIZE: A | 00779 | C=1102316 | SHEET 1 OF 1 | REV A5

CUSTOMER DRAWING

单击下面可查看定价，库存，交付和生命周期等信息

[>>TE Connectivity\(泰科\)](#)