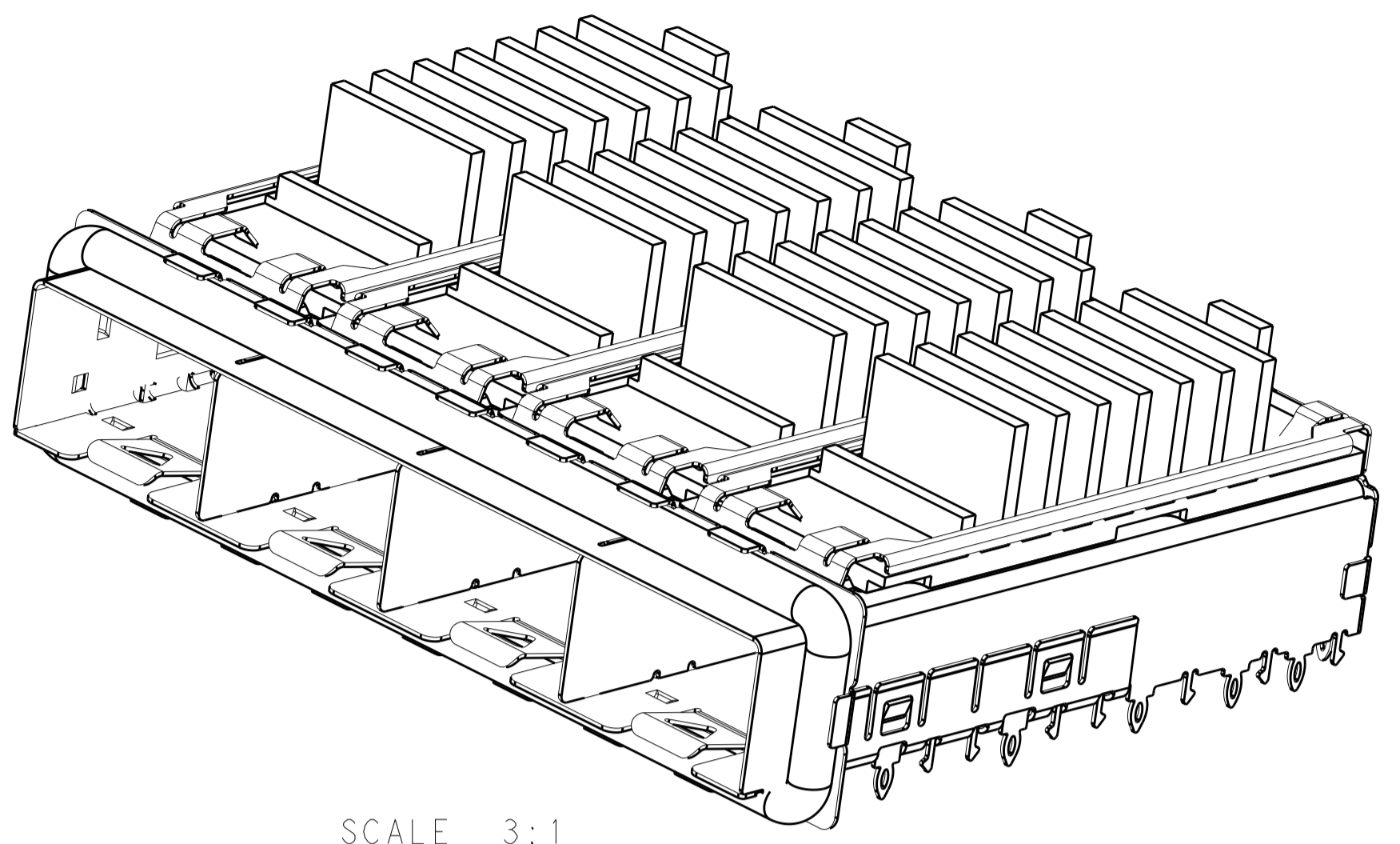


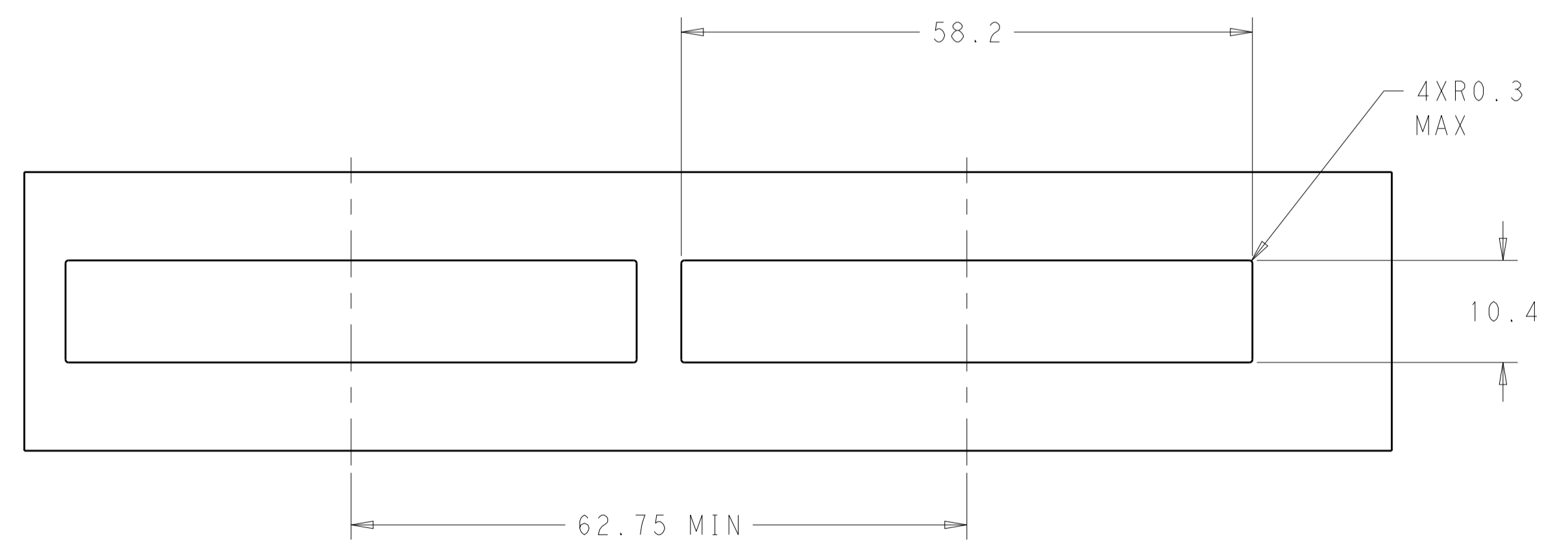
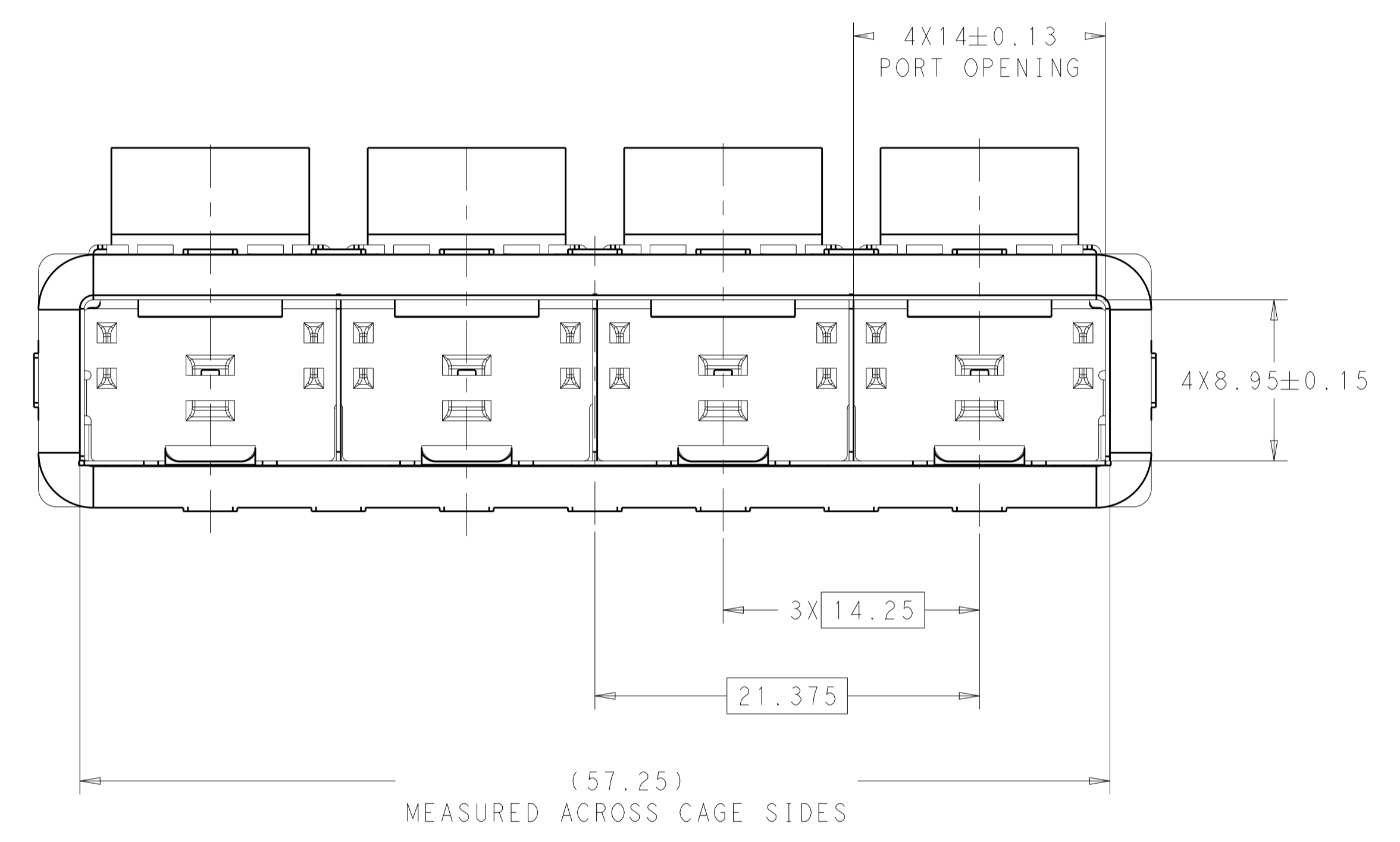
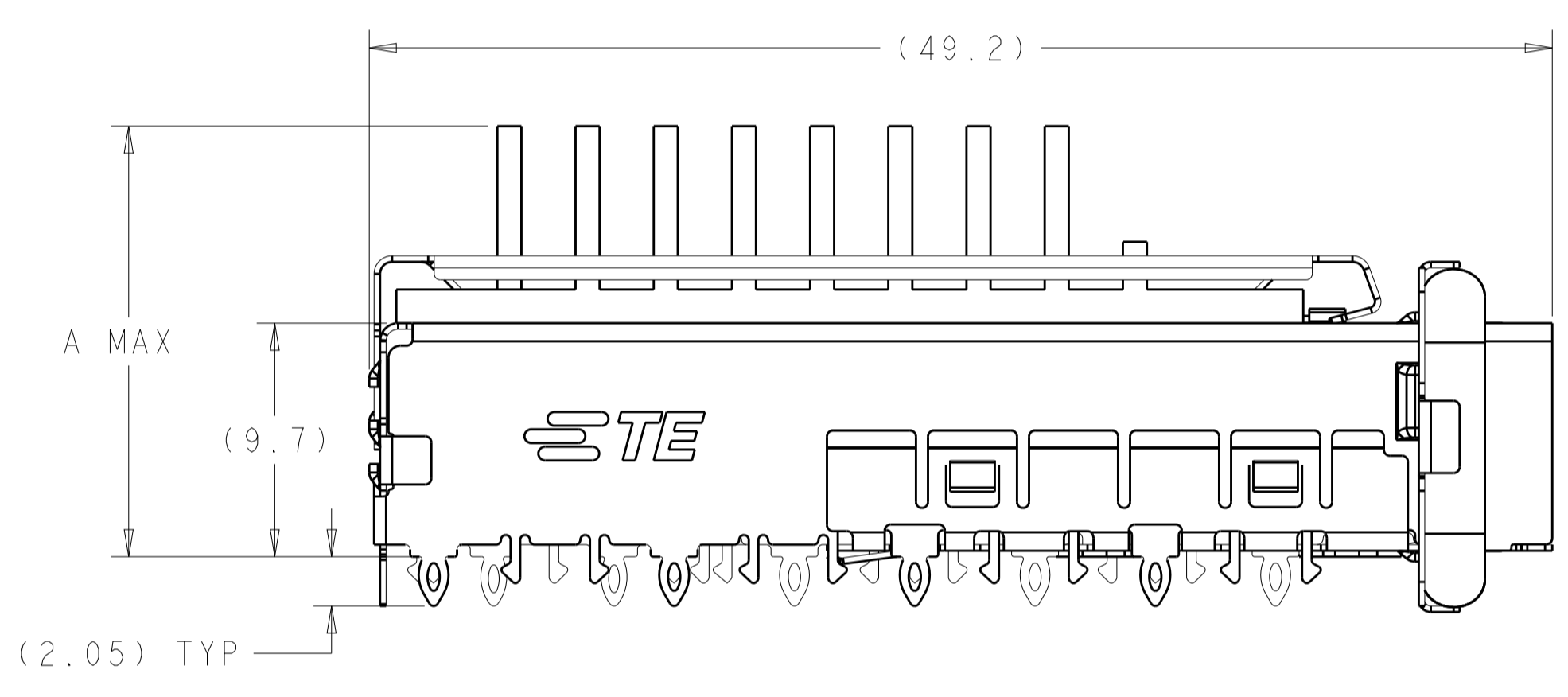
LOC	DIST	REVISIONS					
GP	00	P	LTN	DESCRIPTION	DATE	DWN	APVD
		A		REV PER ECR-12-004175	12MAR2012	DZ	AC
		B		REVISED	1JUN2012	DZ	AC
		B2		REV PER ECR-12-009968	10JULY2012	DZ	AC

- 1 MATERIAL:
 CAGE ASSEMBLY: 0.25mm THICK NICKEL SILVER ALLOY
 GASKET RETENTION PLATE: STAINLESS STEEL
 EMI GASKET: PLATED FILLED SILICONE
 HEATSINK CLIP: STAINLESS STEEL
 HEATSINK: ALUMINUM
- 2 FINISH:
 HEATSINK: HARD ANODIC COAT
 HEATSINK CLIP: PASSIVATE
- 3 PADS AND VIAS CHASSIS GROUND.
- 4 DATUM AND BASIC DIMENSION ESTABLISHED BY CUSTOMER.
- 5. MATES WITH SFP MSA COMPLIANT TRANSCEIVERS.
- 6. INTERPRETATION OF DATUM REFERENCE FRAME IN ACCORDANCE WITH SECT 4.4.1.1 OF ASME Y14.5M-1994.
- 7 REFERENCE APPLICATION SPEC. 114-13120, HOLE A, FOR RECOMMENDED DRILL HOLE DIAMETER AND PLATING THICKNESS.
- 8 REFERENCE APPLICATION SPEC. 114-13120, HOLE B, FOR RECOMMENDED DRILL HOLE DIAMETER AND PLATING THICKNESS.
- 9 HOLE PATTERN REPEATS FOR EACH PORT. SPACING BETWEEN PORTS IS 14.25mm.

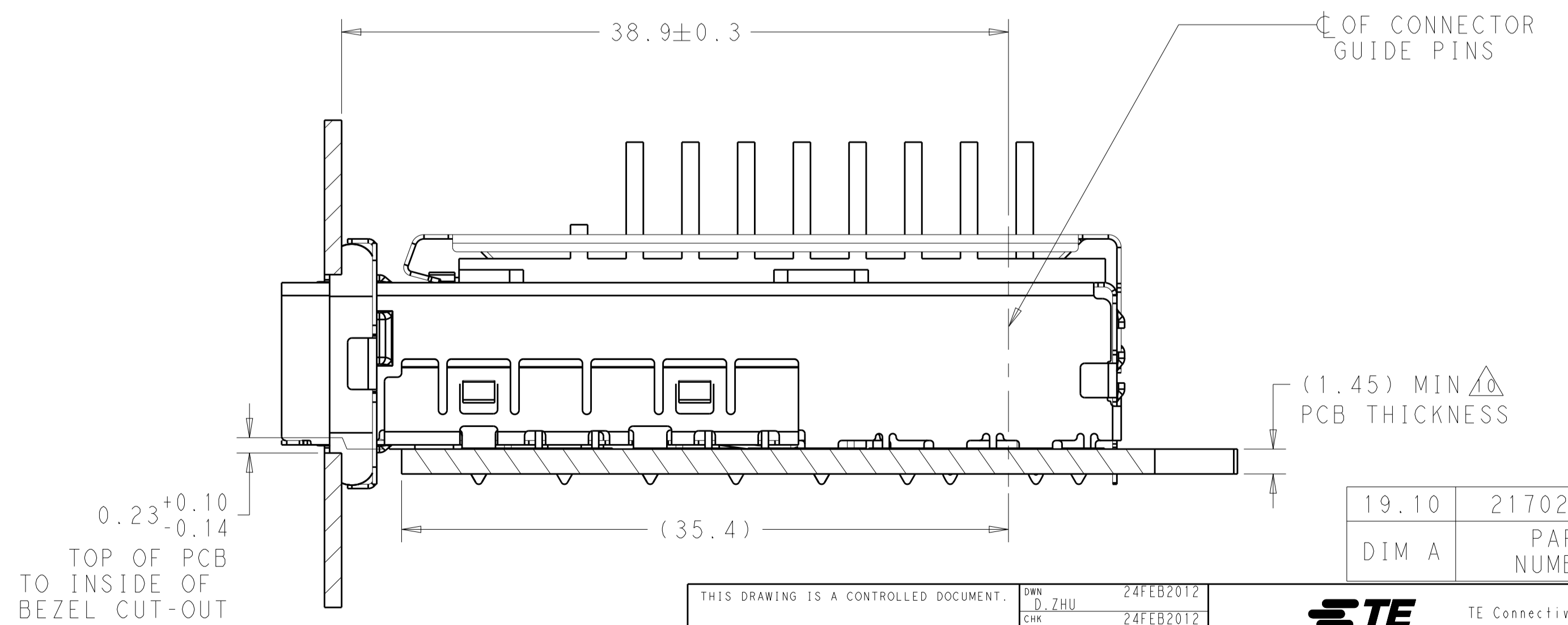
- 10 MINIMUM PC BOARD THICKNESS:
 SINGLE SIDED: 1.45mm
- 11. CERTAIN MATING TRANCEIVERS MAY REQUIRE ADDITIONAL PCB THICKNESS THAT WOULD NEED TO BE DETERMINED BY THE CUSTOMER.
- 12. PRODUCT COMPLIES WITH SPECIFICATION SFF-8433 IMPROVED PLUGGABLE FORM FACTOR FOR SFP+ GANGED CAGES.
- 13 DIMENSION APPLIES WITH SFP MODULE INSERTED.



SCALE 3:1



RECOMMENDED BEZEL CUT-OUT SCALE 2:1

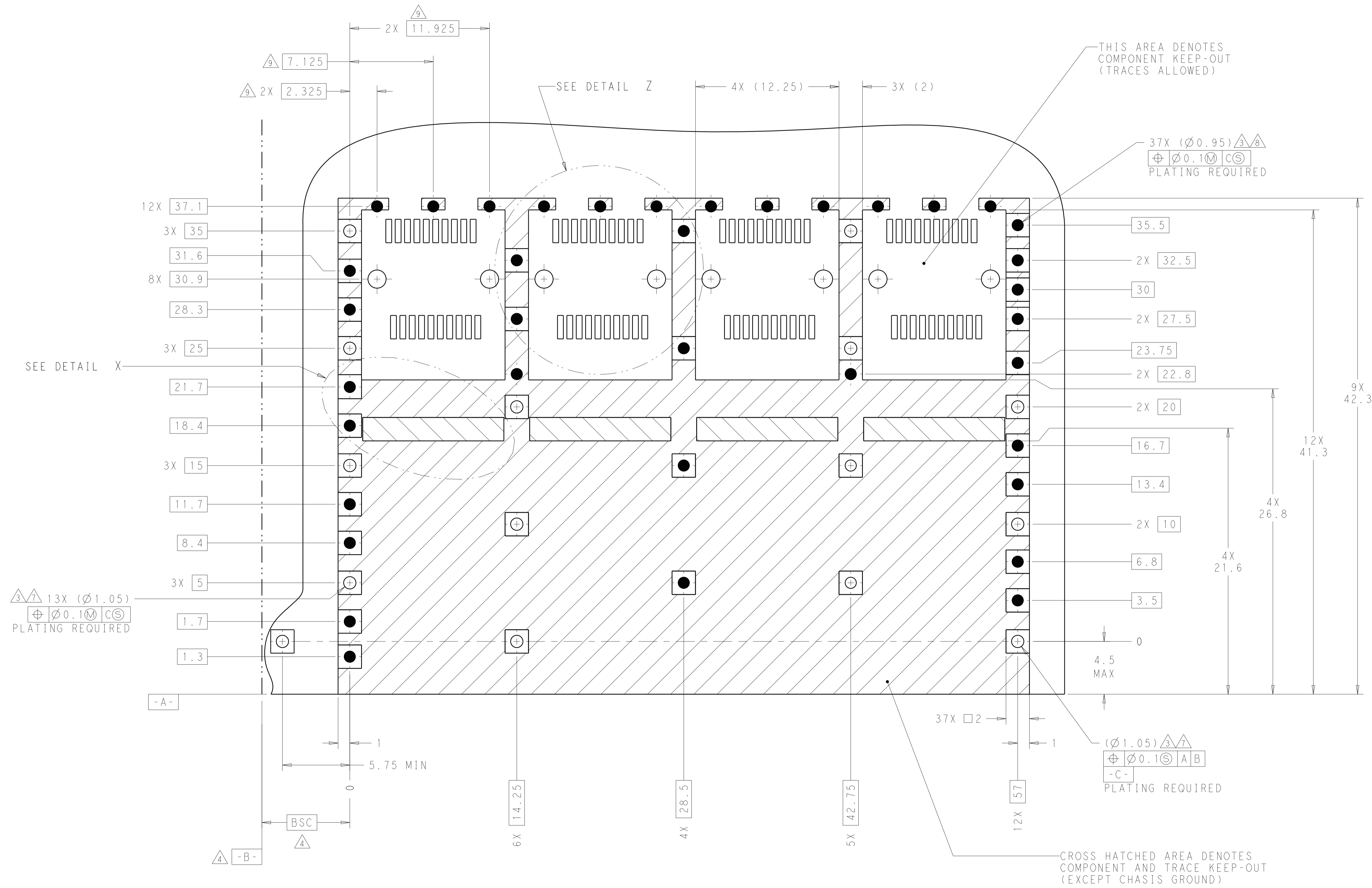


2170274-1 MOUNTED ON PC BOARD SHOWN THRU RECOMMENDED BEZEL SCALE 4:1

19.10	2170274-1
DIM A	PART NUMBER

THIS DRAWING IS A CONTROLLED DOCUMENT.		DWN: D.ZHU 24FEB2012	TE Connectivity NAME: SFP+ ENHANCED, 1X4 CAGE ASSEMBLY PRESS FIT, EMI GASKET WITH HEATSINK SIZE: CAGE CODE DRAWING NO: A100779C=2170274 RESTRICTED TO:
DIMENSIONS: mm		CHK: D.ZHU 24FEB2012	
TOLERANCES UNLESS OTHERWISE SPECIFIED:		APVD: A.CAI 24FEB2012	
0 PLC ±.1 1 PLC ±.1 2 PLC ±.1 3 PLC ±.1 4 PLC ±.1 ANGLES ±.1 FINISH:		PRODUCT SPEC: 108-2364 APPLICATION SPEC: 114-13120 WEIGHT:	
MATERIAL: 1		Customer Drawing	SCALE: 1:1 SHEET 1 OF 3 REV: B2

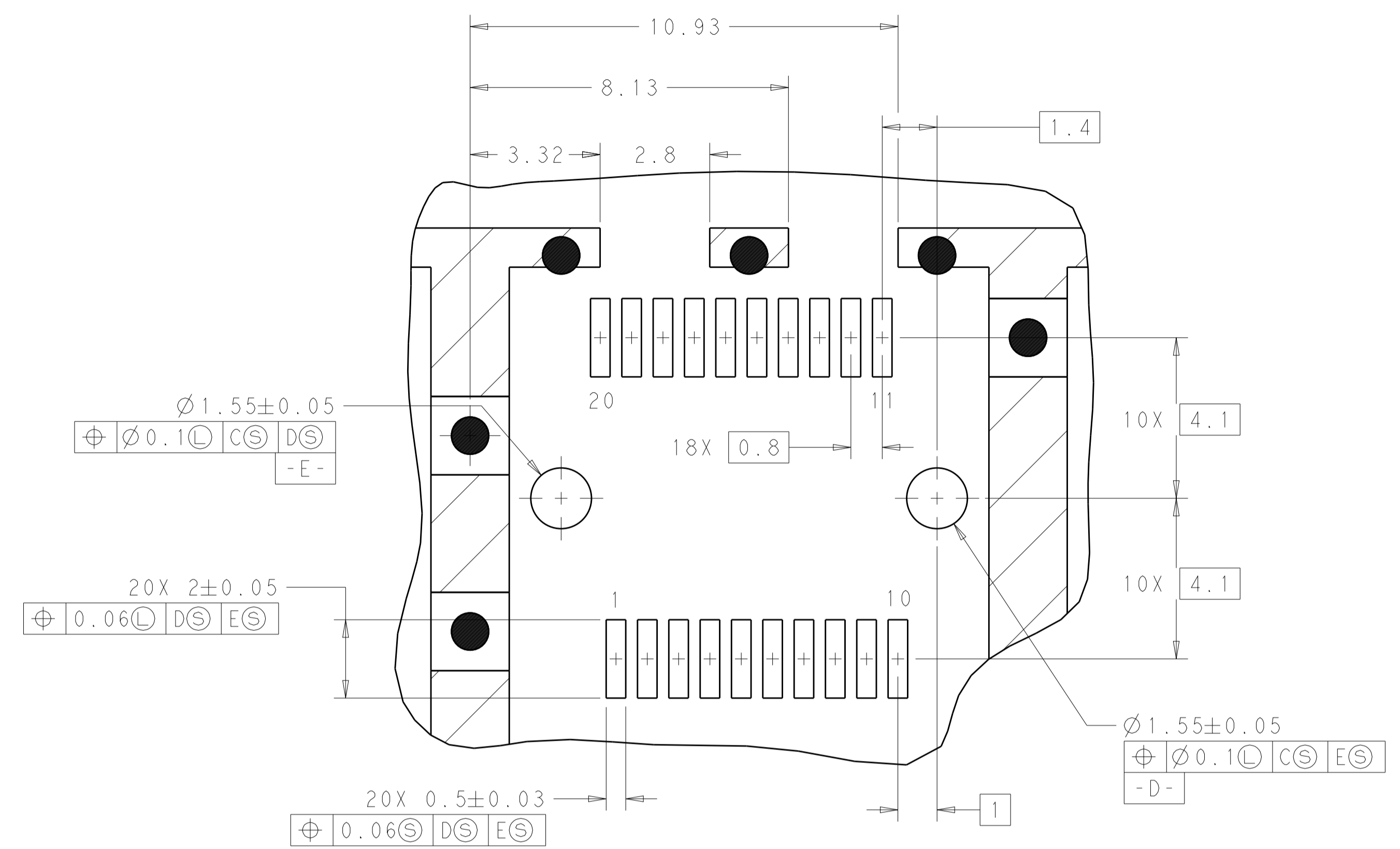
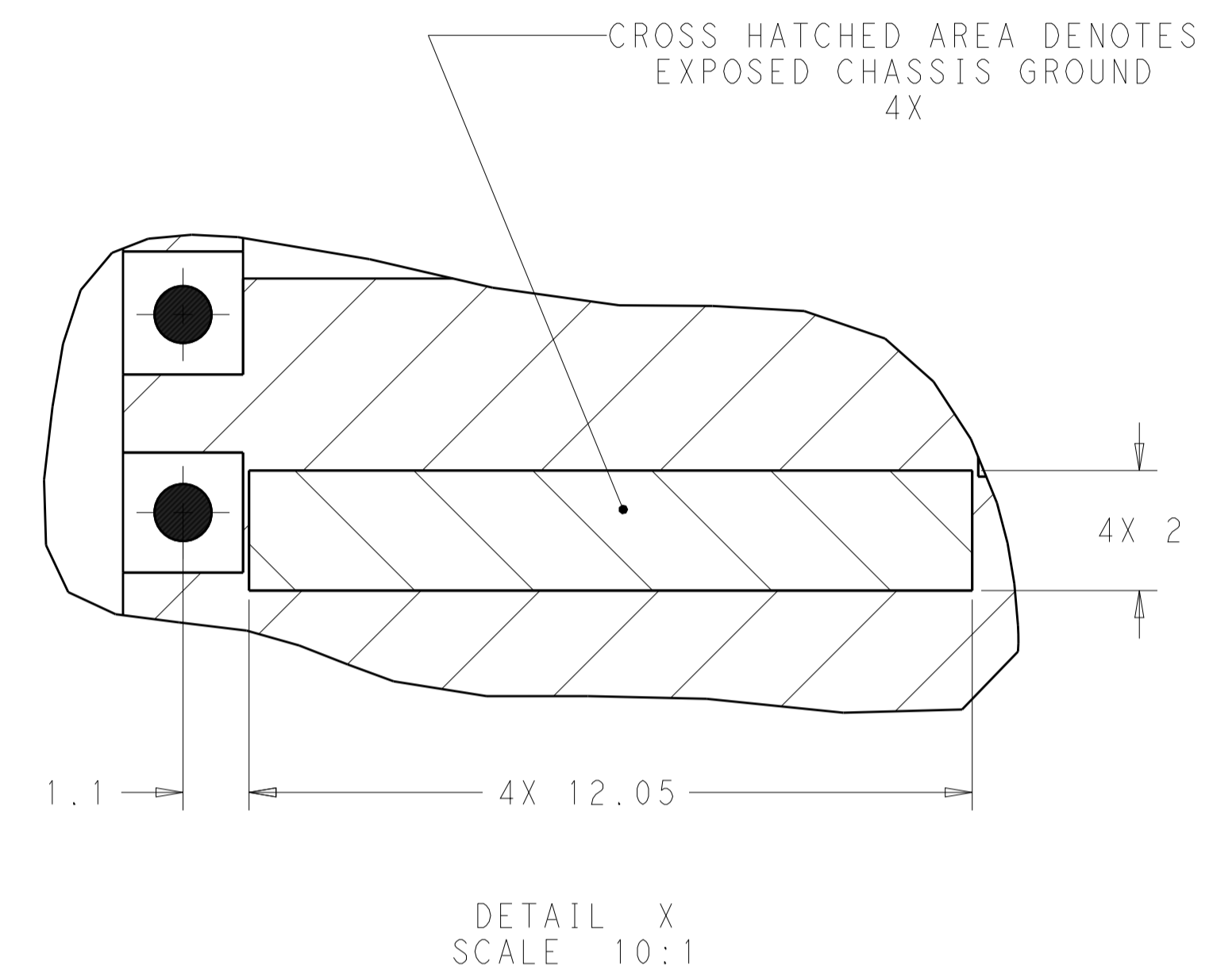
LOC	DIST	REVISIONS			
GP	00	REV	DATE	BY	APPV
		1	SEE SHEET 1		



RECOMMENDED PCB CONFIGURATION
 WITH KEEP-OUT AREAS
 SCALE 6:1

THIS DRAWING IS A CONTROLLED DOCUMENT.		DWN D. ZHU	24FEB2012	TE Connectivity
DIMENSIONS:		CHK D. ZHU	24FEB2012	
mm	TOLERANCES UNLESS OTHERWISE SPECIFIED:	APVD A. CAL	24FEB2012	NAME SFP+ ENHANCED, 1X4 CAGE ASSEMBLY PRESS FIT, EMI GASKET WITH HEATSINK
0 PLC ±.1 2 PLC ±.1 3 PLC ±.1 4 PLC ±.1 ANGLES ±.1	FINISH	PRODUCT SPEC 108-2364	APPLICATION SPEC 114-13120	SIZE A1
MATERIAL	FINISH	WEIGHT	Customer Drawing	SCALE 1:1
			RESTRICTED TO	SHEET 2 OF 3
			REV B2	

LOC		DIST		REVISIONS				
GP	00	P	LYR	DESCRIPTION	DATE	DMN	APVD	
-	-	-	-	SEE SHEET 1	-	-	-	



DETAIL Z
RECOMMENDED PT CONNECTOR LAYOUT
4X INDIVIDUALLY PLACED
SCALE 10:1

THIS DRAWING IS A CONTROLLED DOCUMENT.		DMN: D.ZHU 24FEB2012	TE Connectivity
DIMENSIONS: mm		CHK: D.ZHU 24FEB2012	
TOLERANCES UNLESS OTHERWISE SPECIFIED:		APVD: A.CAI 24FEB2012	
0 PLC \pm .1 1 PLC \pm .1 2 PLC \pm .1 3 PLC \pm .1 4 PLC \pm .1 ANGLES \pm .1 FINISH \pm .2		NAME: SFP+ ENHANCED, 1X4 CAGE ASSEMBLY PRESS FIT, EMI GASKET WITH HEATSINK PRODUCT SPEC: 108-2364 APPLICATION SPEC: 114-13120 WEIGHT: - Customer Drawing	
MATERIAL:	FINISH:	SIZE: A1	CAGE CODE: 00779 DRAWING NO: C=2170274 RESTRICTED TO: - SCALE: 1:1 SHEET 3 OF 3 REV: B2

单击下面可查看定价，库存，交付和生命周期等信息

[>>TE Connectivity\(泰科\)](#)