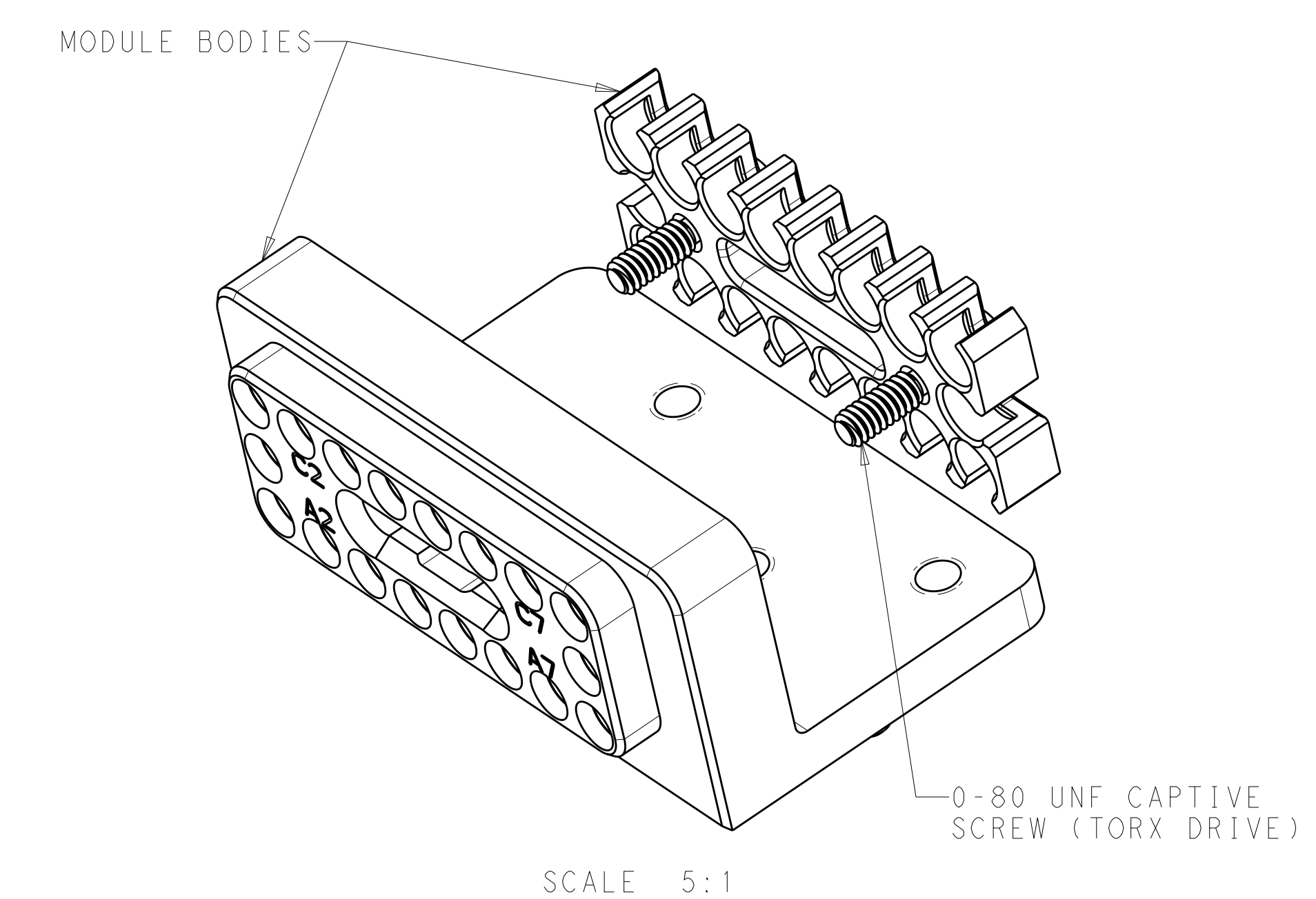
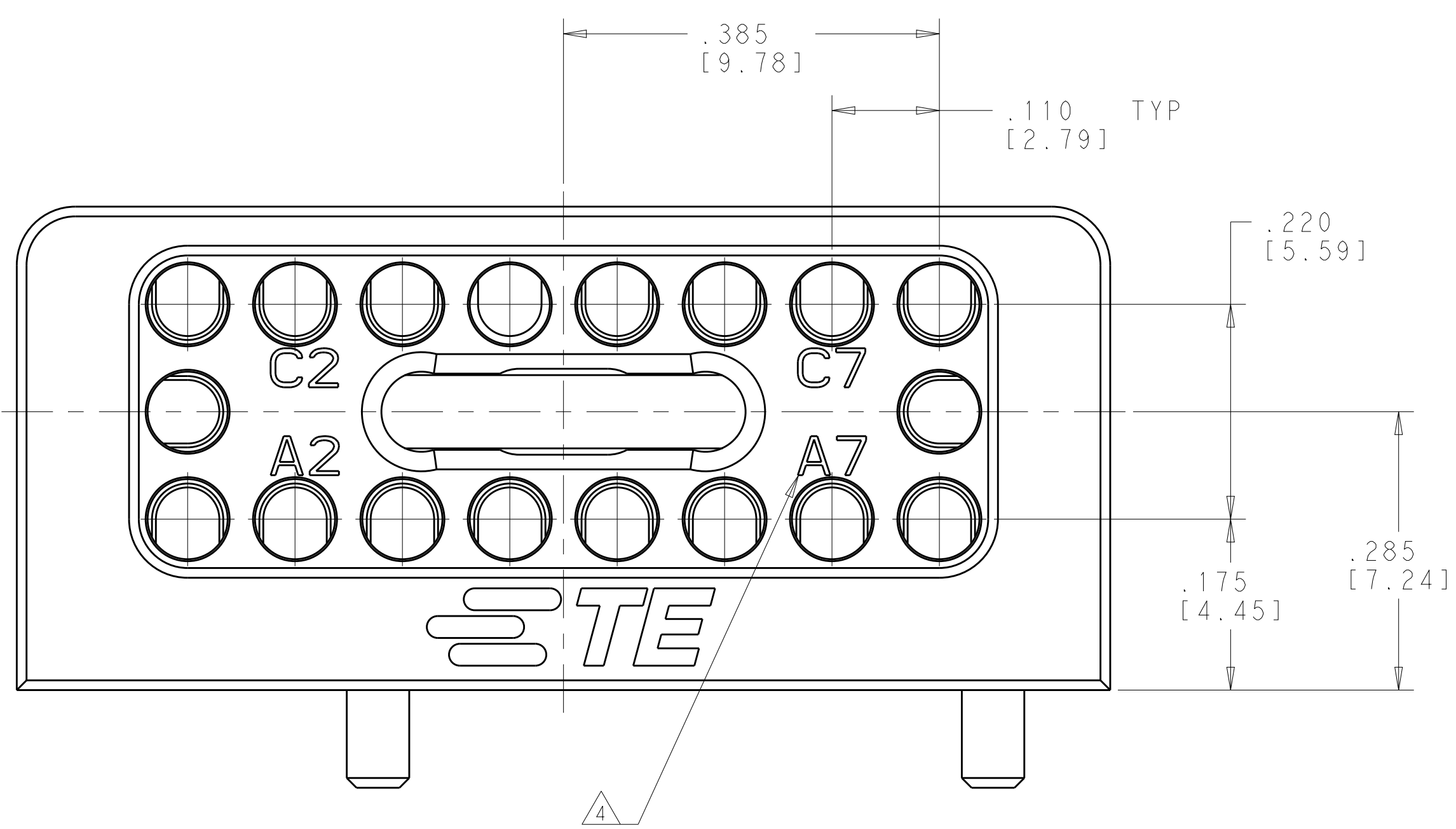
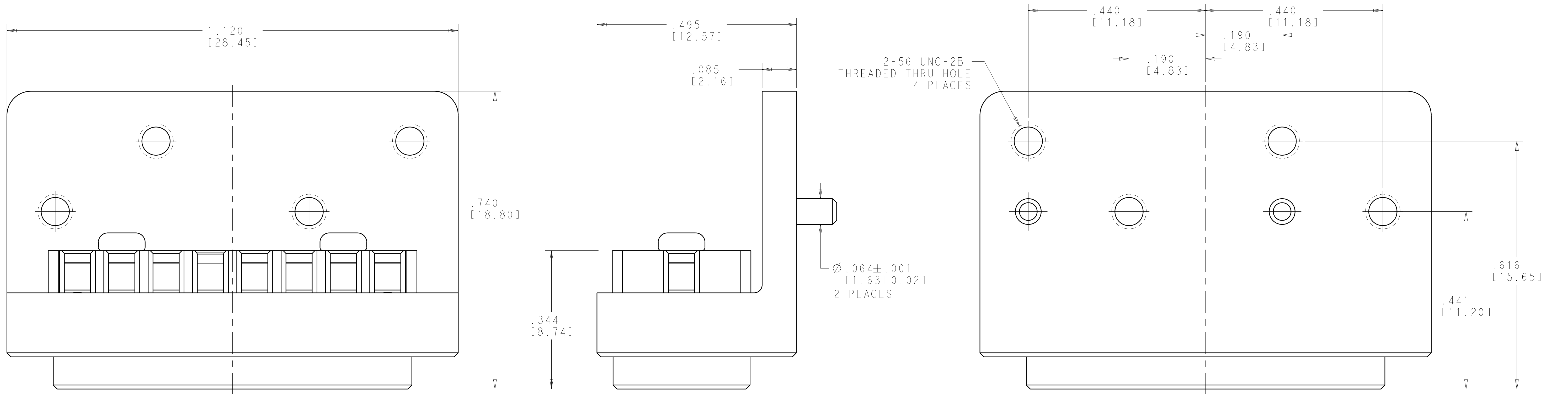


REVISIONS				
P	LTN	DESCRIPTION	DATE	APVD
B		REV PER ECO 19-004877	4-2-19	CT FB

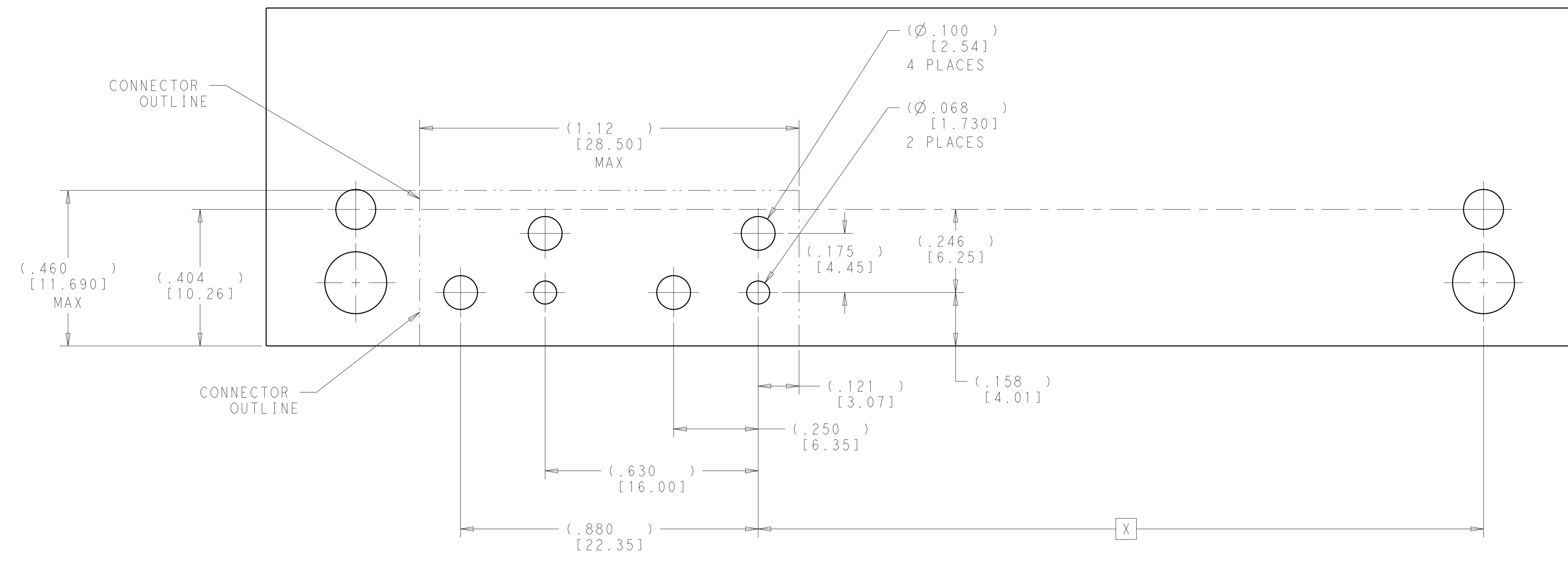


- 1 MATERIAL:  
MODULE BODIES - SEE TABLE  
SCREWS - 300 SERIES STAINLESS STEEL
- 2 FINISH:  
MODULE BODIES - SEE TABLE  
SCREWS - PASSIVATED
- 3. SHIPPED IN KIT FORM.
- 4 CIRCUIT IDENTIFICATION MARKING
- 5 P3 MODULE LOCATION CAN BE MOVED -.129[3.28] TO POSITION P3 = 3.702[94.03] TO ALLOW FOR USE OF A FULL MULTIGIG CONNECTOR IN P4. THE BACKPLANE MODULE POSITION MUST ALSO BE ADJUSTED ACCORDINGLY.

CLEAR CHROMATE CONVERSION COATING	ALUMINUM ALLOY 7075	2322335-2
PASSIVATED	STAINLESS STEEL PER UNS S30300	2322335-1
MODULE FINISH 2	MODULE MATERIAL 1	PART NUMBER

THIS DRAWING IS A CONTROLLED DOCUMENT.		DWN: R. MILLER 30JUN2017 CHK: D. WILSON 30JUN2017 APVD: K. DOWNHOWER 11APR2018	NAME: 18 POSITION NanoRF MODULE, PCB MOUNT - DAUGHTERCARD VITA PRODUCT SPEC: 108-163006 APPLICATION SPEC: 408-163016	SIZE: A CAGE CODE: 00779 DRAWING NO: 2322335	RESTRICTED TO: B
DIMENSIONS: INCHES/mm TOLERANCES UNLESS OTHERWISE SPECIFIED: 0 PLC ± 1 PLC ± 2 PLC ±.005[0.13] 3 PLC ± 4 PLC ± ANGLES ± FINISH: 1, 2	MATERIAL: 1 FINISH: 2	WEIGHT: - CUSTOMER DRAWING	SCALE: 8:1	SHEET: 1 OF 2	REV: B

REVISIONS				
P.	LTN	DESCRIPTION	DATE	APVD
-	SEE SHEET 1			



DESIGNED FOR VITA 67.2 PCB LAYOUT  
(VIEW FROM TOP SIDE)

P2	2.145[54.48]
△ P3	3.831[97.31]
P4	4.965[126.11]
P5	6.099[154.91]
P6	7.233[183.71]
POSITION	DIM "X"

THIS DRAWING IS A CONTROLLED DOCUMENT.		DWN: H. MILLER 30JUN2017 CHK: D. WILSON 30JUN2017 APVD: K. DOWNHOWER 11APR2018	TE Connectivity
DIMENSIONS: INCHES/mm	TOLERANCES UNLESS OTHERWISE SPECIFIED: 0 PLC ±. 1 PLC ±. 2 PLC ±. 3 PLC ±.005(0.13) 4 PLC ±. ANGLES ±. FINISH	NAME: 18 POSITION NanoRF MODULE, PCB MOUNT - DAUGHTERCARD VITA PRODUCT SPEC: 108-163006 APPLICATION SPEC: 408-163016 WEIGHT:	
MATERIAL:	FINISH:	CUSTOMER DRAWING SCALE: 4:1 SHEET: 2 OF 2 REV: B	

单击下面可查看定价，库存，交付和生命周期等信息

[>>TE Connectivity\(泰科\)](#)