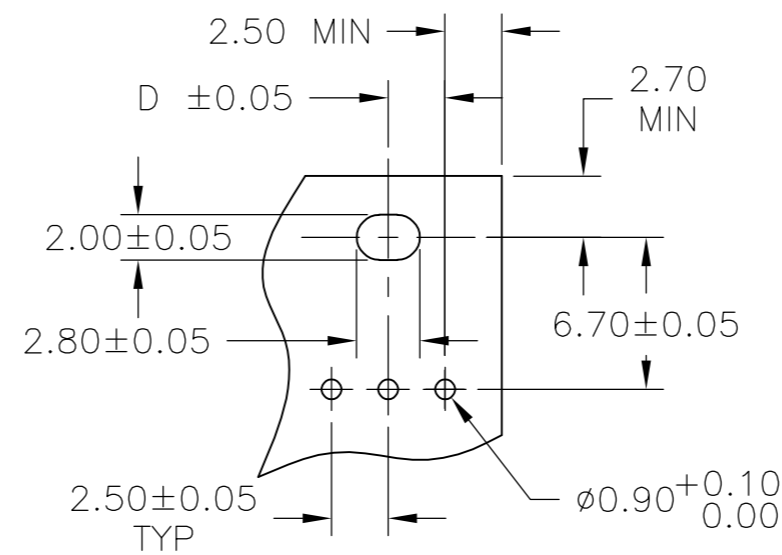
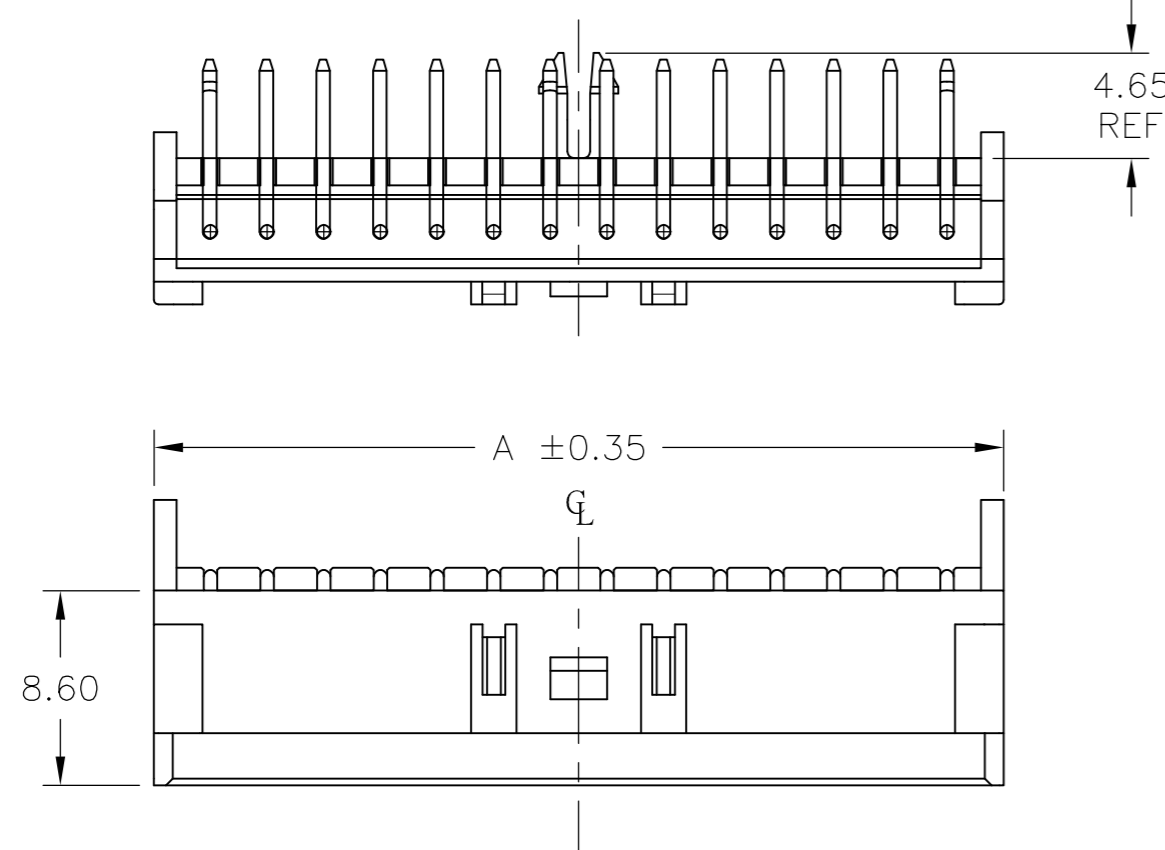


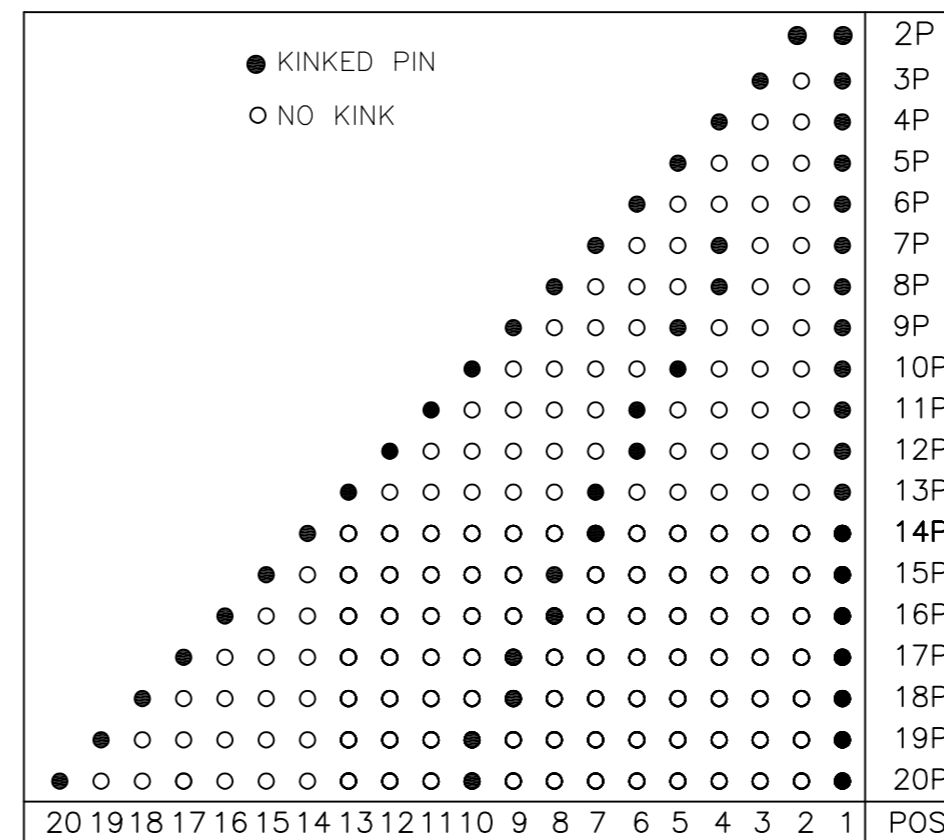
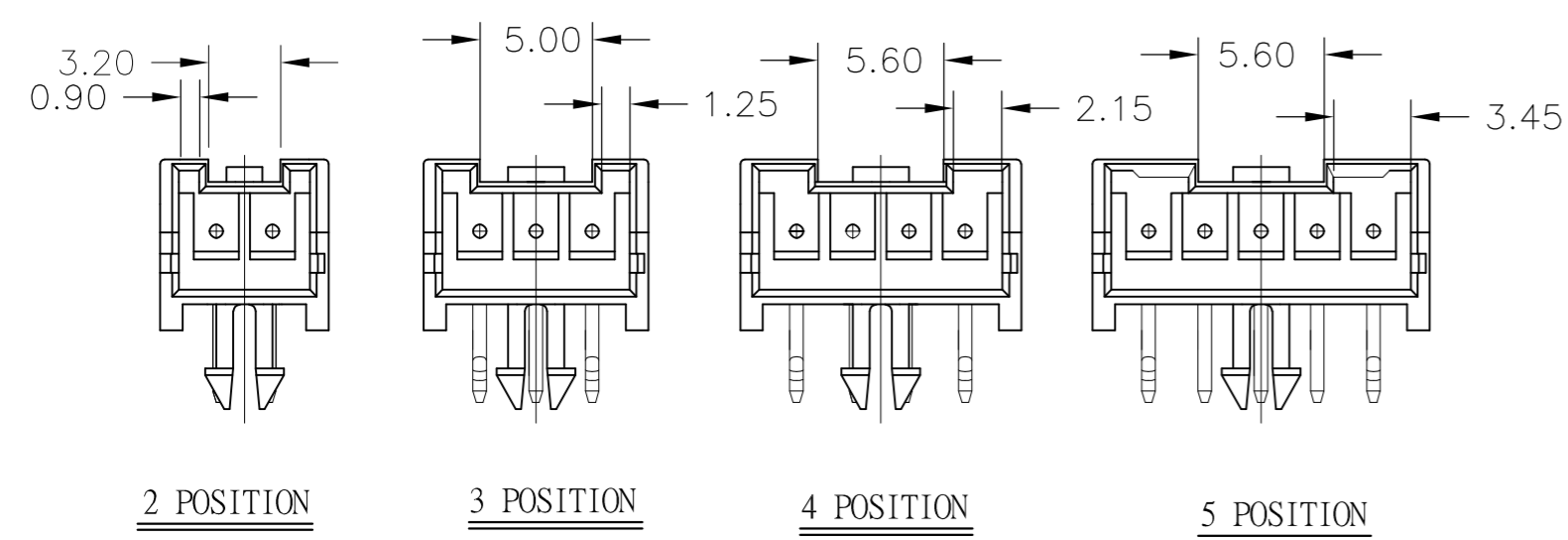
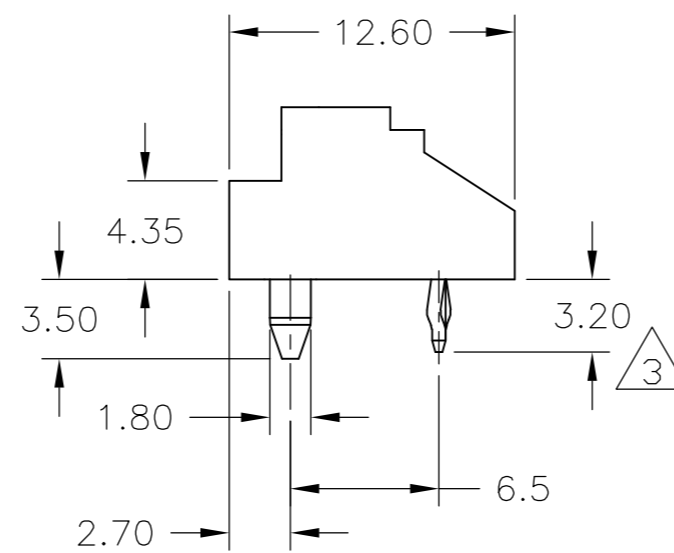
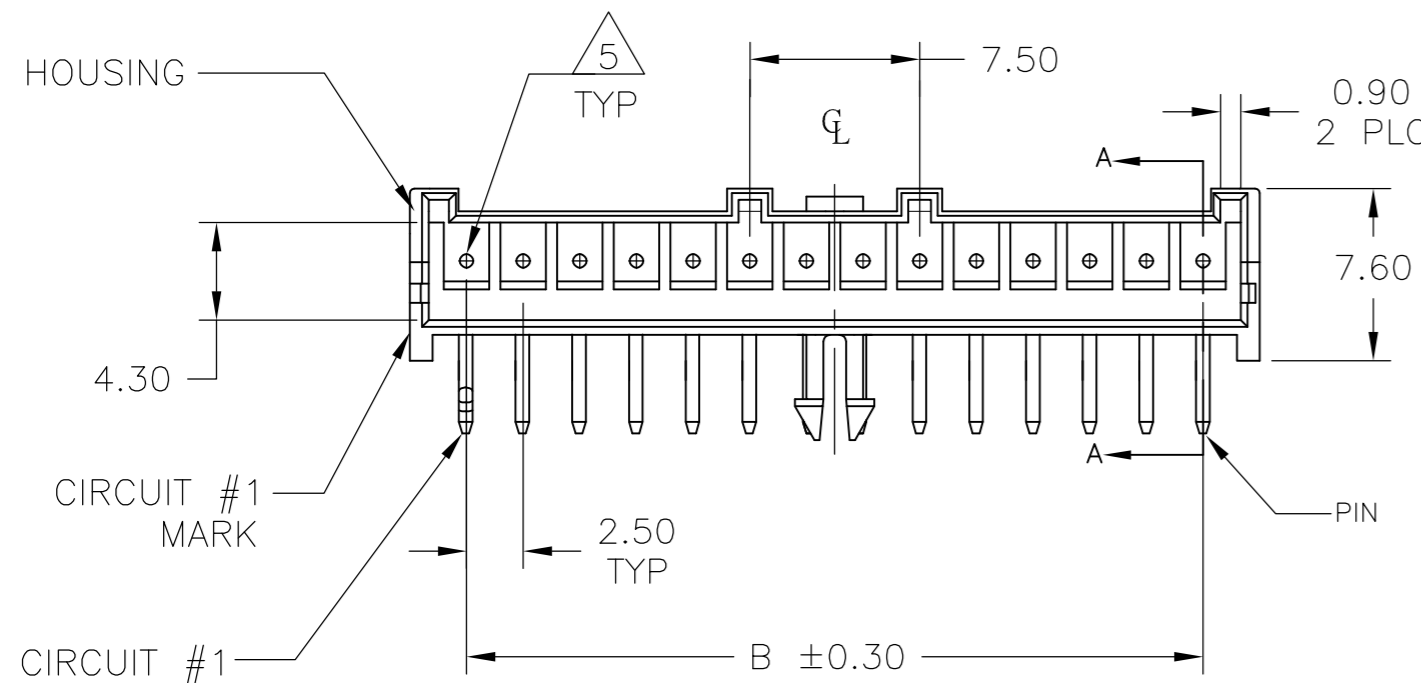
THIS DRAWING IS UNPUBLISHED. RELEASED FOR PUBLICATION
 © COPYRIGHT - By - ALL RIGHTS RESERVED.

REVISIONS					
P	LTR	DESCRIPTION	DATE	DWN	APVD
F1		REVISED PER ECR-16-010647	08OCT2016	O.C	D.Z



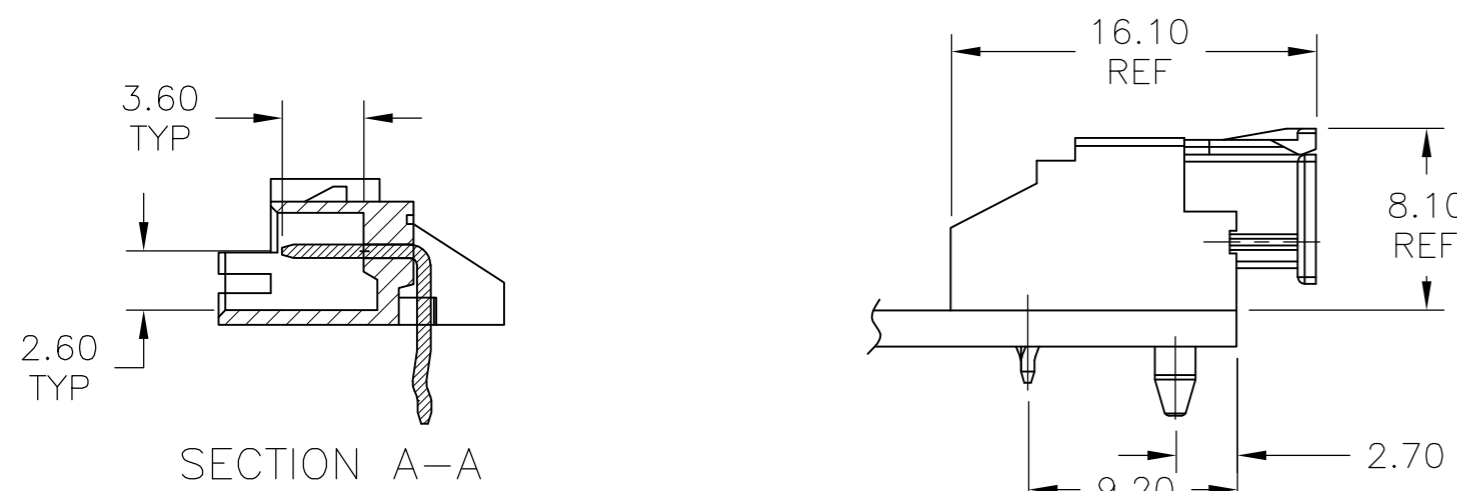
RECOMMENDED PCB LAYOUT

- MATERIAL, HOUSING: NYLON UL94V0, NATURAL. PIN: COPPER ALLOY
- FINISH: PIN: BRIGHT TIN OVER NICKEL UNDERPLATED OVER ALL
- PIN SOLDER TAIL KIND DIRECTION (BOARD LOCK), SEE TABLE BELOW.
- COMPLY WITH GLOW WIRE REQUIREMENTS FOR PARTS OF NON-METALLIC MATERIAL SUPPORTING A CURRENT-CARRYING CONNECTION DETAILED IN IEC 60335-1, SECTION 30(GWT).
- PIN RETENTION: 12 NEWTONS [2.7 LBF] MIN.



POSITION OF KINK

31.25	47.50	52.50	20	2-1744446-0
28.75	45.00	50.00	19	1-1744446-9
26.25	42.50	47.50	18	1-1744446-8
23.75	40.00	45.00	17	1-1744446-7
21.25	37.50	42.50	16	1-1744446-6
18.75	35.00	40.00	15	1-1744446-5
16.25	32.50	37.50	14	1-1744446-4
15.00	30.00	35.00	13	1-1744446-3
13.75	27.50	32.50	12	1-1744446-2
12.50	25.00	30.00	11	1-1744446-1
11.25	22.50	27.50	10	1-1744446-0
10.00	20.00	25.00	9	1744446-9
8.75	17.50	22.50	8	1744446-8
7.50	15.00	20.00	7	1744446-7
6.25	12.50	17.50	6	1744446-6
5.00	10.00	15.00	5	1744446-5
3.75	7.50	12.50	4	1744446-4
2.50	5.00	10.00	3	1744446-3
1.25	2.50	7.50	2	1744446-2
DIM C	DIM B	DIM A	POS	PART NO.



THIS DRAWING IS A CONTROLLED DOCUMENT.

DIMENSIONS: mm	TOLERANCES UNLESS OTHERWISE SPECIFIED:	DWN: JR RUTH 17JUL12	TE Connectivity	
	0 PLC ± -	CHK: SAM MACE 17JUL12	NAME: HEADER HOUSING ASSEMBLY, EP 2.5 RIGHT ANGLE GLOW WIRE	
	1 PLC ± -	APVD: SAM MACE 17JUL12	SIZE: A2	CAGE CODE: 00779
	2 PLC ± 0.20	PRODUCT SPEC: 108-2418	DRAWING NO: C=1744446	RESTRICTED TO: -
	3 PLC ± -	APPLICATION SPEC: 114-13315	SCALE: N/A	SHEET: 1 OF 1
	4 PLC ± -	WEIGHT: 0	REV: F1	
MATERIAL: -	FINISH: -	CUSTOMER DRAWING		

单击下面可查看定价，库存，交付和生命周期等信息

[>>TE Connectivity\(泰科\)](#)