

THIS DRAWING IS UNPUBLISHED. RELEASED FOR PUBLICATION 20

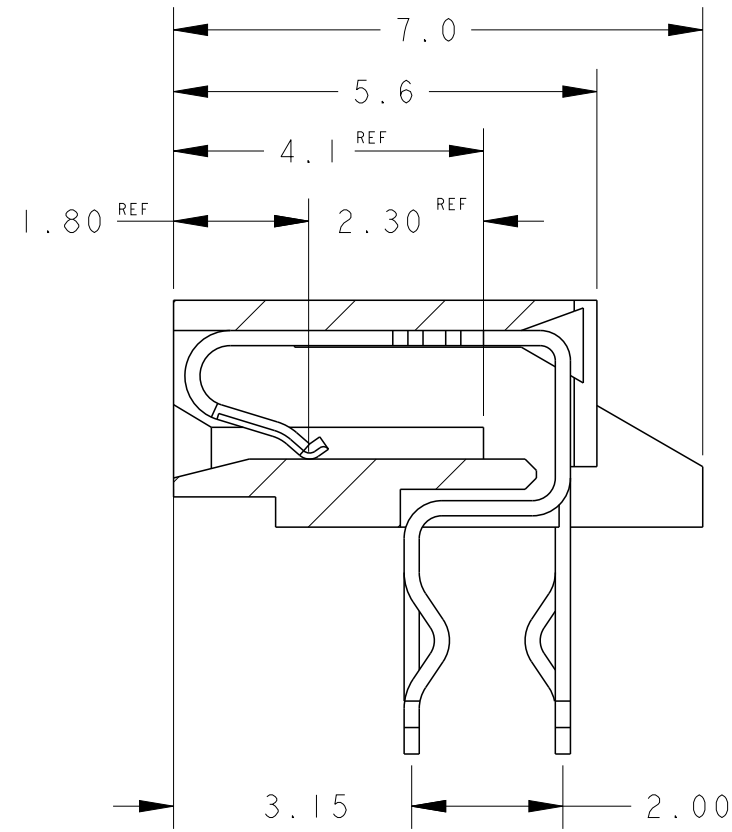
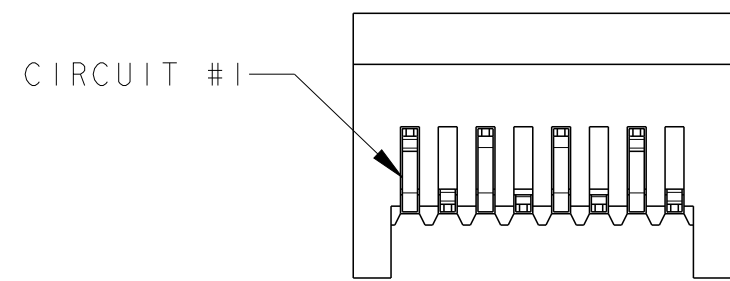
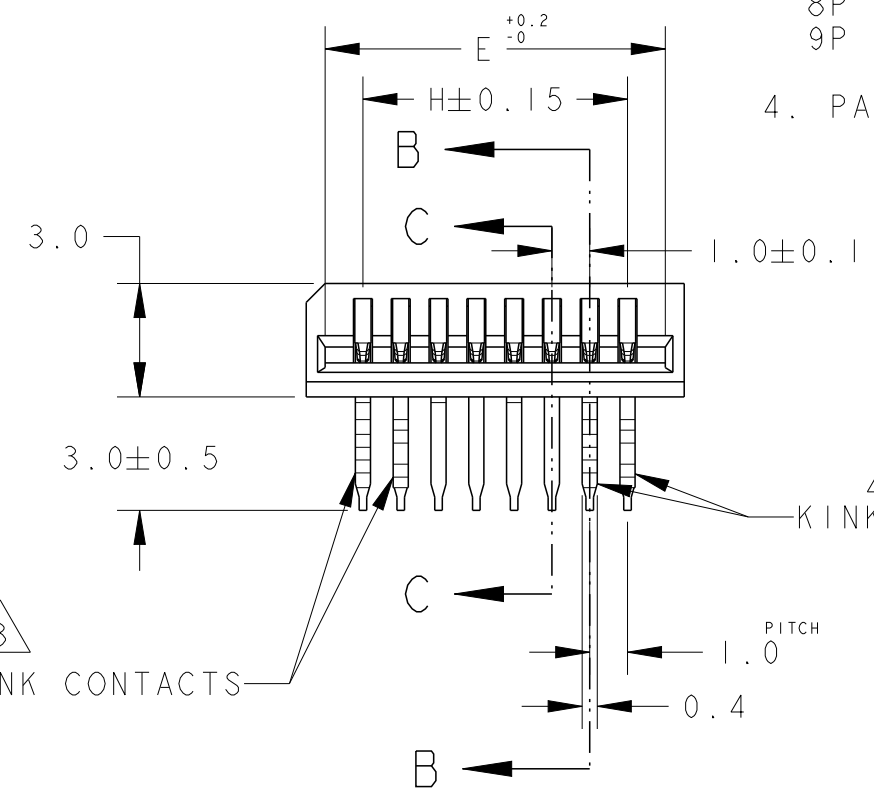
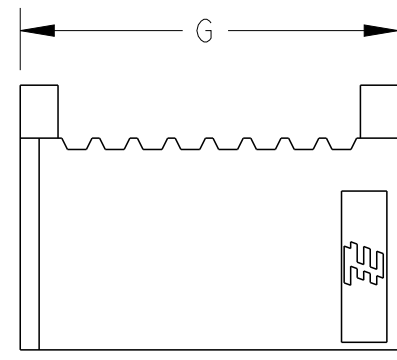
© COPYRIGHT 20 BY - ALL RIGHTS RESERVED.

REVISIONS

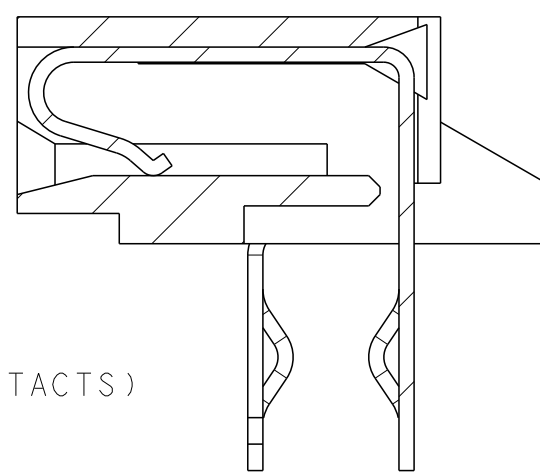
P	LTR	DESCRIPTION	DATE	DWN	APVD
G		REVISED ECR-18-007198	9MAY18	HX	WH

NOTES:

- 1 MATERIAL:  
HOUSING: GLASS FILLED PBT, NATURAL COLOR (WHITE)  
CONTACT: PHOSPHOR BRONZE
- 2 FINISH: MATTE TIN OVER NICKEL UNDERPLATE
- 3 KINK CONTACTS LOCATION:  
8P & BELOW: ALL POSITIONS  
9P & ABOVE: 4 CONTACTS (2 PAIRS) EACH END
- 4. PACKAGING: TUBE



SECTION B-B (FOR EVEN POSITION CONTACTS) SCALE 10:1

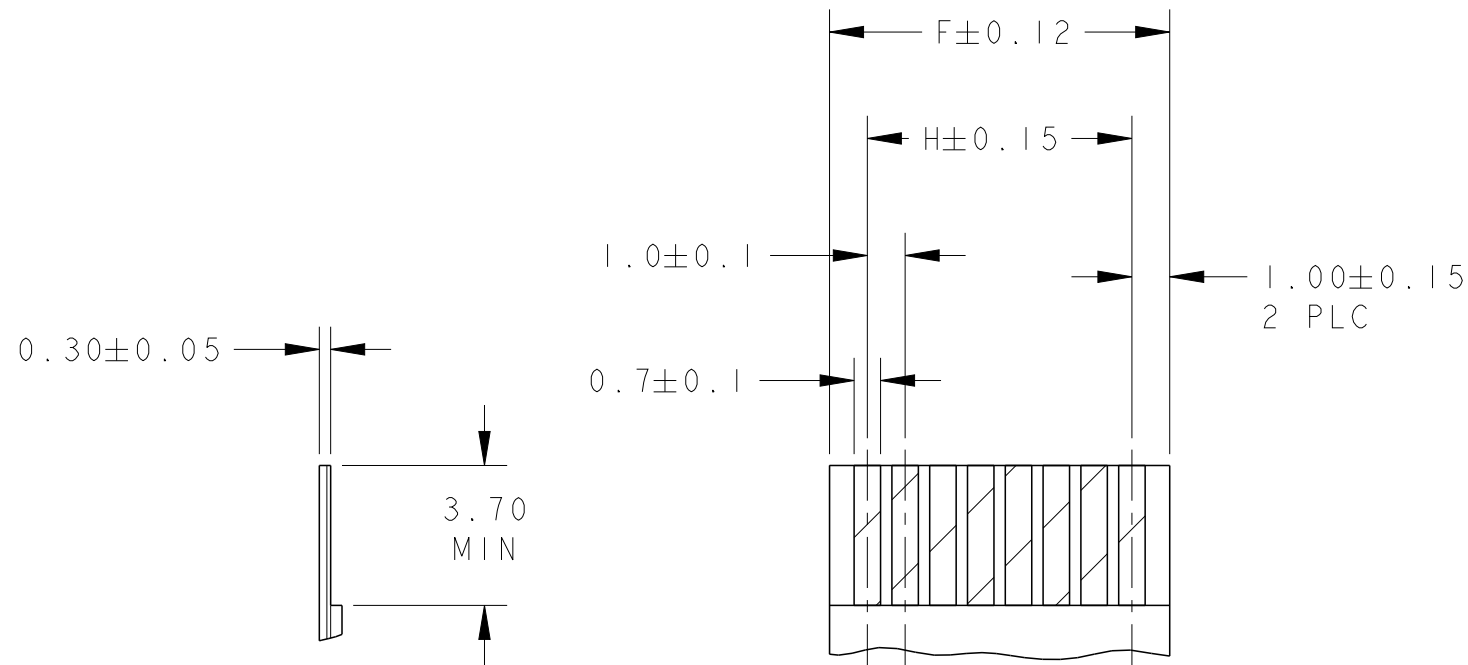


SECTION C-C (FOR ODD POSITION CONTACTS) SCALE 10:1

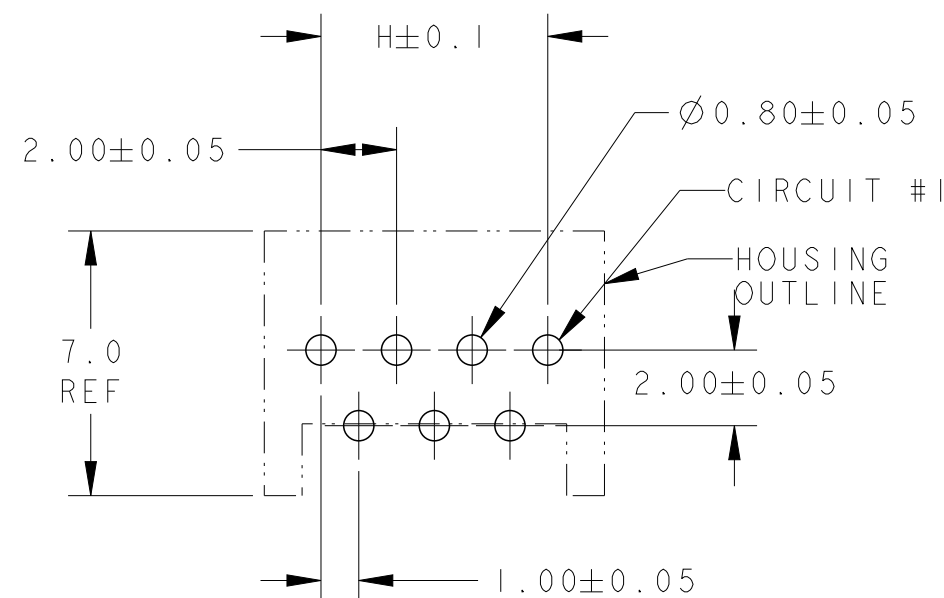
29.00	32.00	31.00	31.00	30	3-84983-0
28.00	31.00	30.00	30.00	29	2- -9
27.00	30.00	29.00	29.00	28	2- -8
26.00	29.00	28.00	28.00	27	2- -7
25.00	28.00	27.00	27.00	26	2- -6
24.00	27.00	26.00	26.00	25	2- -5
23.00	26.00	25.00	25.00	24	2- -4
22.00	25.00	24.00	24.00	23	2- -3
21.00	24.00	23.00	23.00	22	2- -2
20.00	23.00	22.00	22.00	21	2- -1
19.00	22.00	21.00	21.00	20	2-84983-0
18.00	21.00	20.00	20.00	19	1- -9
17.00	20.00	19.00	19.00	18	1- -8
16.00	19.00	18.00	18.00	17	1- -7
15.00	18.00	17.00	17.00	16	1- -6
14.00	17.00	16.00	16.00	15	1- -5
13.00	16.00	15.00	15.00	14	1- -4
12.00	15.00	14.00	14.00	13	1- -3
11.00	14.00	13.00	13.00	12	1- -2
10.00	13.00	12.00	12.00	11	1- -1
9.00	12.00	11.00	11.00	10	1-84983-0
8.00	11.00	10.00	10.00	9	-9
7.00	10.00	9.00	9.00	8	-8
6.00	9.00	8.00	8.00	7	-7
5.00	8.00	7.00	7.00	6	-6
4.00	7.00	6.00	6.00	5	-5
3.00	6.00	5.00	5.00	4	84983-4
H	G	F	E	POS.	PART NO.

THIS DRAWING IS A CONTROLLED DOCUMENT.		DWN WYLEE 15JUN04	TE Connectivity		
DIMENSIONS: mm		CHK LP TAN			
TOLERANCES UNLESS OTHERWISE SPECIFIED:		APVD SF LEONG	NAME ASSY, 1.00mm FFC CONN DIP, H		
0 PLC ±0.30		PRODUCT SPEC 108-51058	SIZE A300779 C-84983		
1 PLC ±0.30		APPLICATION SPEC -	CAGE CODE -		
2 PLC ±0.30		WEIGHT -	DRAWING NO -		
3 PLC ±		CUSTOMER DRAWING	RESTRICTED TO -		
4 PLC ±			SCALE 5:1	SHEET 1 OF 2	REV G
ANGLES ±3°					
FINISH					
MATERIAL 1					
2					

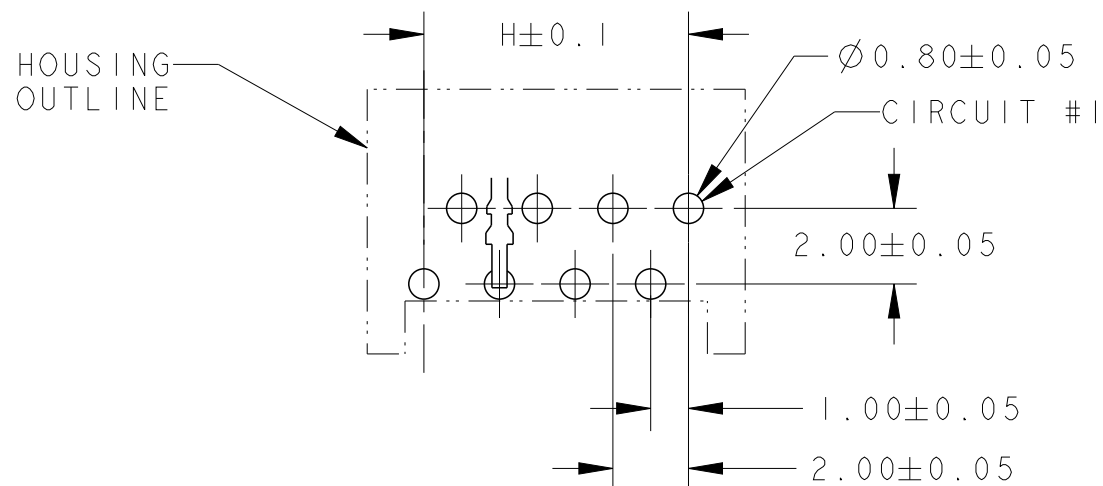
P	LTR	DESCRIPTION	DATE	DWN	APVD
		SEE SHEET 1			



RECOMMENDED FFC/FPC



RECOMMENDED PCB LAYOUT (THK= 1.6±0.1) (FOR ODD POSITION CONNECTORS) NON-ACCUMULATIVE TOLERANCE



RECOMMENDED PCB LAYOUT (THK= 1.6±0.1) (FOR EVEN POSITION CONNECTORS) NON-ACCUMULATIVE TOLERANCE

THIS DRAWING IS A CONTROLLED DOCUMENT.		DWN WYLEE 15JUN04	<b>TE Connectivity</b>														
DIMENSIONS: mm		CHK LP TAN															
TOLERANCES UNLESS OTHERWISE SPECIFIED:		APVD SF LEONG	NAME ASSY, 1.00mm FFC CONN DIP, H														
<table border="0"> <tr><td>0 PLC</td><td>±0.30</td></tr> <tr><td>1 PLC</td><td>±0.30</td></tr> <tr><td>2 PLC</td><td>±0.30</td></tr> <tr><td>3 PLC</td><td>±-</td></tr> <tr><td>4 PLC</td><td>±-</td></tr> <tr><td>ANGLES</td><td>±3°</td></tr> </table>		0 PLC	±0.30	1 PLC	±0.30	2 PLC	±0.30	3 PLC	±-	4 PLC	±-	ANGLES	±3°	PRODUCT SPEC -	SIZE A300779	CAGE CODE C-84983	RESTRICTED TO -
0 PLC	±0.30																
1 PLC	±0.30																
2 PLC	±0.30																
3 PLC	±-																
4 PLC	±-																
ANGLES	±3°																
MATERIAL 1		FINISH 2	APPLICATION SPEC -		WEIGHT -												
CUSTOMER DRAWING			SCALE 5:1	SHEET 2 OF 2	REV G												

单击下面可查看定价，库存，交付和生命周期等信息

[>>TE Connectivity\(泰科\)](#)