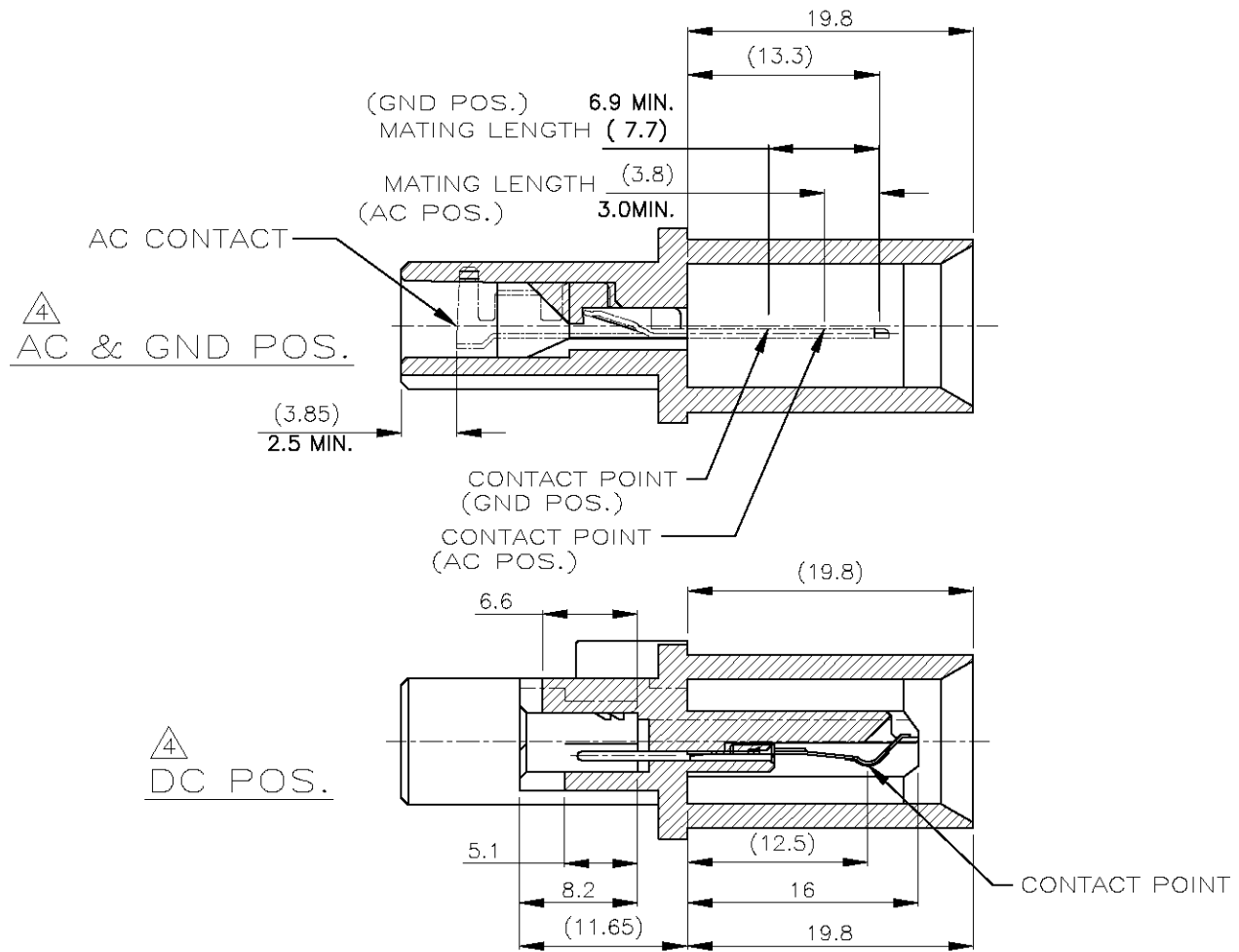
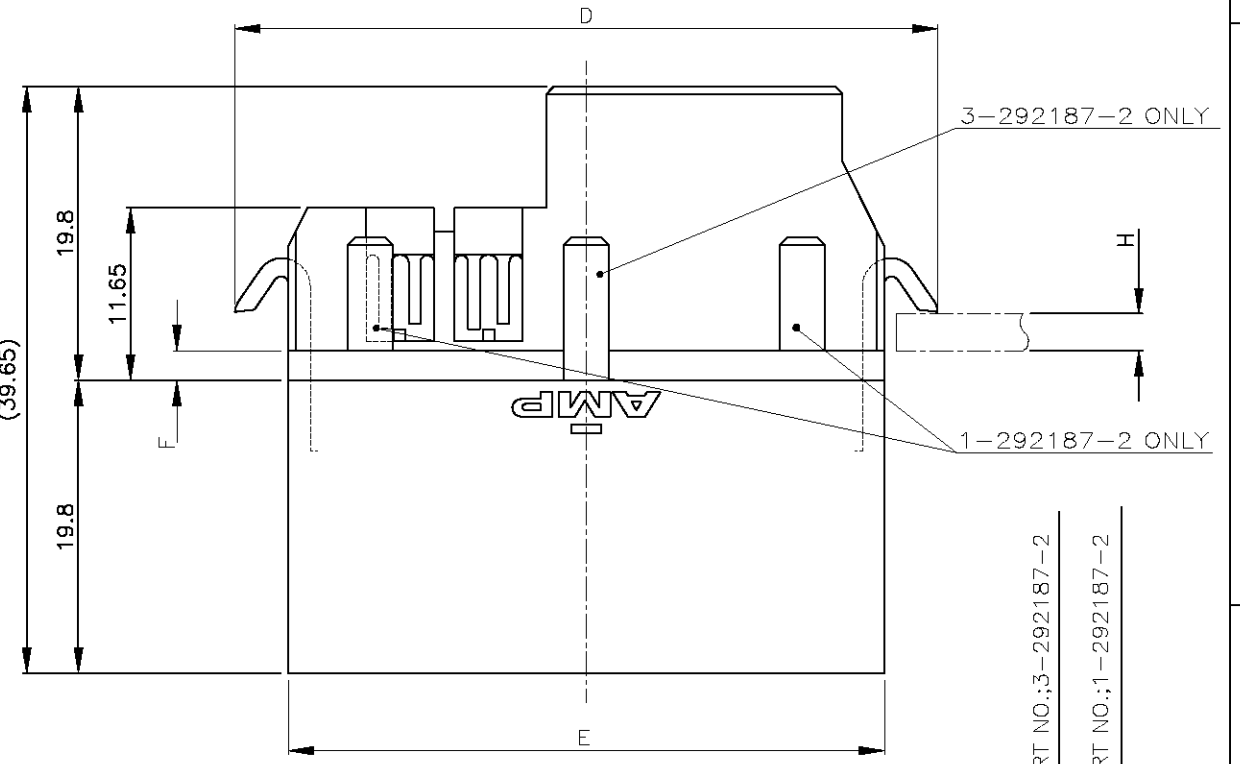
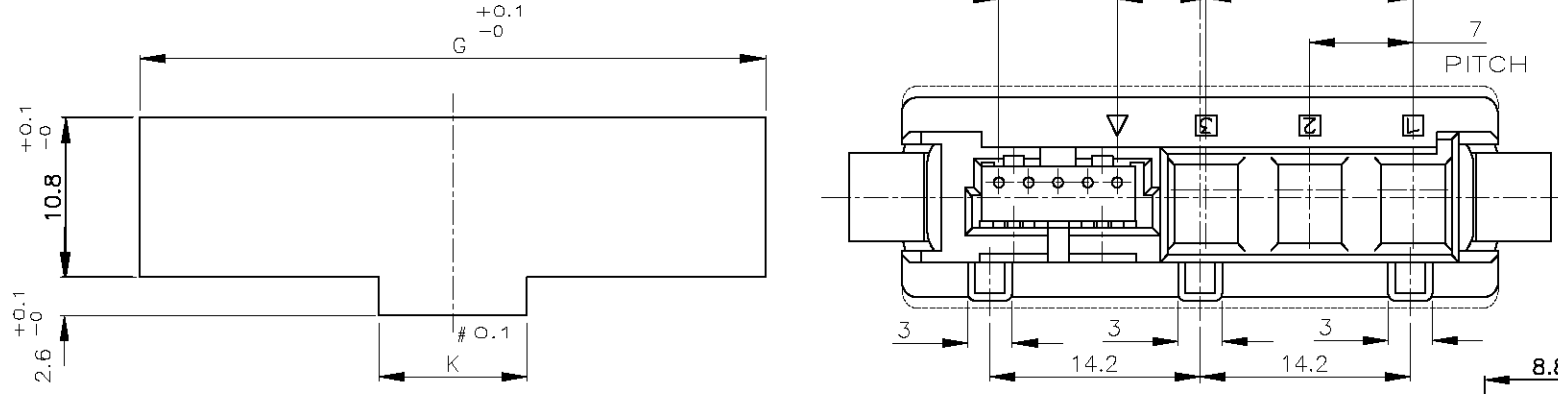


THIS DRAWING IS UNPUBLISHED. RELEASED FOR PUBLICATION
 © COPYRIGHT BY TYCO ELECTRONICS CORPORATION. ALL RIGHTS RESERVED.

LOC		DIST		REVISIONS				
P	LTR	DESCRIPTION			DATE	DWN	APVD	
ES	00	A	REVISED	FB00-0217-04	16DEC04	H.H	I.E	

PANEL CUT DIMENSIONS



NOTES
 1. MATERIAL
 HOUSING:THERMO PLASTIC (BLACK)
 CONTACT:COPPER ALLOY
 2. CONTACT FINISH
 MATING SIDE:NICKEL PL.ALL OVER GOLD PL.
 CT MATING SIDE:NICKEL PL.ALL OVER MATTE TIN PL.
 3. APPLIED AC CONTACT P/N

FINISH	AWG	P/N
TIN PL.	#16~20	1-179321-2
Au PL.	#16~20	179321-3

△ AC: POWER CONTACT (UNLOADED)
 DC: SIGNAL CONTACT (PRELOADED)

MT TYPE:173977-5 CLIMPTYPE:179228-5	4-292190-2	2.5 #0.1	10	13.5	49.3	2	47.3	54.5	17.9	8	21	4	3	DC5 AC4	3-292187-2
MT TYPE:173977-5 CLIMPTYPE:179228-5	2-292190-2	1.2 #0.08	34	15 MAX	42.3	3.3	40.3	47.5	14.4	8	14	4	2	DC5 AC3	1-292187-2
APPLIED CT CONN P/N	MATING COUNTER P/N	APPLIED PANEL THICKNESS H	K	J	G	F	E	D	C	B	A	n	N	POS	PART NO.

THIS DRAWING IS A CONTROLLED DOCUMENT.

DWN J.JIANG 05FEB03	 Tyco Electronics Corporation Shanghai, P.R.China,200233
CHK S.YAO 05FEB03	
APVD T.SASAKI 05FEB03	
PRODUCT SPEC 108-60023	
APPLICATION SPEC	NAME HYBRID SF DRAWER CONN. PLUG
WEIGHT	SIZE A3
CUSTOMER DRAWING	CAGE CODE 00779
	DRAWING NO C-292187
	RESTRICTED TO -
	SCALE 2:1
	SHEET 1 OF 1
	REV A

单击下面可查看定价，库存，交付和生命周期等信息

[>>TE Connectivity\(泰科\)](#)