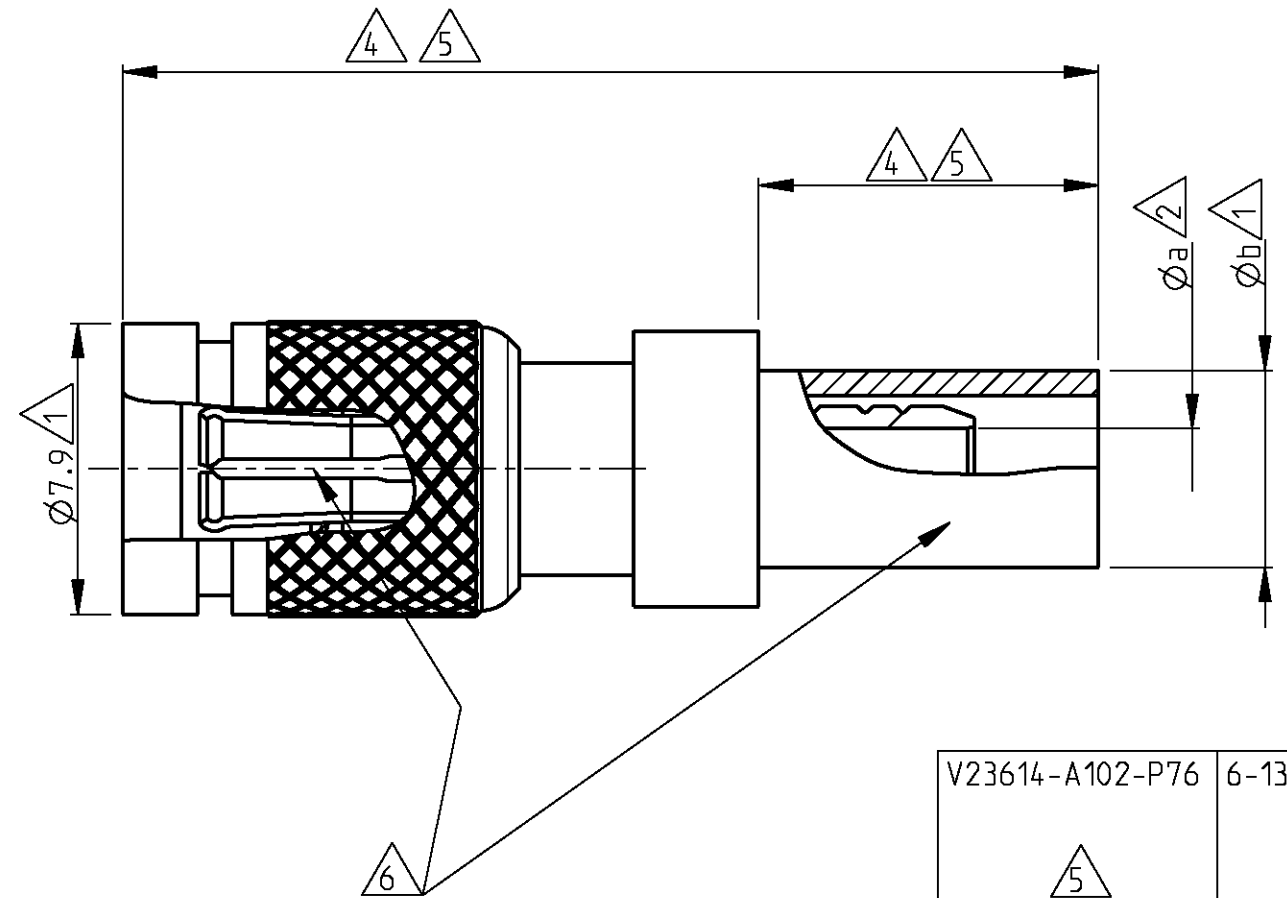


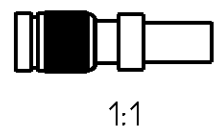
THIS DRAWING IS UNPUBLISHED. RELEASED FOR PUBLICATION 2000
 © COPYRIGHT 2000 BY TYCO ELECTRONICS CORPORATION. ALL RIGHTS RESERVED.

LOC	DIST	REVISIONS					
		P	LTR	DESCRIPTION	DATE	DWN	APVD
IS	-		A1	SR10-0445-02	17OCT2002	KM	RL
			B	ECR-08-002004	23JAN2008	MS	DB
			B1	ECR-08-005555	03MAR08	MS	DB
			B2	ECR-09-004445	25FEB2009	MG	DB
			B3	REVISED PER ECO-10-000445	12JAN10	KK	AEG



- 7** OBSOLETE PARTS: OBSOLETE CIS STREAMLINING PER D.RENAUD/D.SINISI
- 6** Supplied as loose part
- 5** Length of ferrule is 9.2 max
Complete length of connector = 26 max
- 4** Length of ferrule is 12.2 max
Complete length of connector = 29 max
- 3. Mating face according to DIN 47297 and CECC 22230
- 2** Minimum dimension
- 1** Maximum dimension

Old Nr	TE Nr	Cable Type	Dim a	Dim b	Appl. spec.	Description	Material	Plating
V23614-A102-P76	6-1393670-4	02Y(ST)CY 0.45/2.0	2.15	5.2	114-71009	Dielectric Outer Con. Center Con.	PTFE CuBe/ Bronze Cu Be Brass	- min. 0.2 μm Au over PdNi in contact area min. 0.1 μm Au over min. 2 μm NiP
V23614-A102-P57	6-1393670-2	RG179 B/U	1.7	3.6	114-71009	Dielectric Outer Con. Center Con.	PTFE CuBe/ Bronze Cu Be Brass	- min. 0.2 μm Au over PdNi in contact area min. 0.1 μm Au over min. 2 μm NiP
V23614-A102-P34A	5-1393670-9	TR-SP127	2.35	6.4	114-71009	Dielectric Outer Con. Center Con.	PTFE CuBe/ Bronze Cu Be Brass	- min. 0.2 μm Au over PdNi in contact area min. 0.1 μm Au over min. 2 μm NiP
V23614-A102-P24	5-1393670-7	R1-T2.0 Li 75K	2.15	5.2	114-71009	Dielectric Outer Con. Center Con.	PTFE CuBe/ Bronze Cu Be Brass	- min. 0.2 μm Au over PdNi in contact area min. 0.1 μm Au over min. 2 μm NiP



THIS DRAWING IS A CONTROLLED DOCUMENT FOR TYCO ELECTRONICS CORPORATION
 IT IS SUBJECT TO CHANGE AND THE CONTROLLING ENGINEERING ORGANIZATION
 SHOULD BE CONTACTED FOR THE LATEST REVISION.


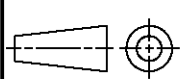
DIMENSIONS:	TOLERANCES UNLESS OTHERWISE SPECIFIED:
mm	0 PLC ±
	1 PLC ±0.5
	2 PLC ±0.13
	3 PLC ±0.013
	4 PLC ±0.0001
	ANGLES ±
MATERIAL -	FINISH -

DWN MOROBE 2APR2001	Tyco Electronics CH - Switzerland - Lugano
CHK MATTHEEWS 5APR2001	
APVD BOZZER 5APR2001	
PRODUCT SPEC 108-71032	NAME
APPLICATION SPEC SEE TABLE	CABLE PLUG SNAP-ON COUPLING 1.0/2.3 75 Ohm
WEIGHT -	SIZE A3
	CAGE CODE 00779
	DRAWING NO C-5-1393670-7
	RESTRICTED TO -
	SCALE 5:1
	SHEET 1 OF 3
	REV B3

THIS DRAWING IS UNPUBLISHED. RELEASED FOR PUBLICATION 2000
 © COPYRIGHT 2000 BY TYCO ELECTRONICS CORPORATION. ALL RIGHTS RESERVED.

LOC	DIST	REVISIONS					
		P	LTR	DESCRIPTION	DATE	DWN	APVD
IS	-			SEE SHEET 1	-	-	-


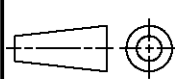
Old Nr	TE Nr	Cable Type	Dim a	Dim b	Appl. Spec.	Description	Material	Plating
△ 4	9-1393670-0	ST214	3.8	7.93	114-71012	Dielectric	PTFE	-
						Outer Con.	CuBe/ Bronze	min. 0.2 μm Au over PdNi in contact area
						Center Con.	Cu Be Brass	min. 0.1 μm Au over min. 2 μm NiP
△ 5	8-1393670-9	ST212	2.15	4.45	114-71012	Dielectric	PTFE	-
						Outer Con.	CuBe/ Bronze	min. 0.2 μm Au over PdNi in contact area
						Center Con.	Cu Be Brass	min. 0.1 μm Au over min. 2 μm NiP
△ 5	8-1393670-8	02Y(ST)CY 0.45/2.0	2.15	5.2	114-71009	Dielectric	PTFE	-
						Outer Con.	CuBe/ Bronze	min. 0.2 μm Au over PdNi in contact area
						Center Con.	Cu Be Brass	min. 0.1 μm Au over min. 2 μm NiP
△ 4	△ 7	6-1393670-7	3.8	7.93	114-71012	Dielectric	PTFE	-
						Outer Con.	CuBe/ Bronze	min. 0.2 μm Au over PdNi in contact area
						Center Con.	Cu Be Brass	min. 0.1 μm Au over min. 2 μm NiP
△ 5	6-1393670-6	ST212	2.15	4.45	114-71012	Dielectric	PTFE	-
						Outer Con.	CuBe/ Bronze	min. 0.2 μm Au over PdNi in contact area
						Center Con.	Cu Be Brass	min. 0.1 μm Au over min. 2 μm NiP
△ 5	6-1393670-5	ST212	2.15	4.45	114-71012	Dielectric	PTFE	-
						Outer Con.	CuBe/ Bronze	min. 0.2 μm Au over PdNi in contact area
						Center Con.	Cu Be Brass	min. 0.1 μm Au over min. 2 μm NiP

<small>THIS DRAWING IS A CONTROLLED DOCUMENT FOR TYCO ELECTRONICS CORPORATION IT IS SUBJECT TO CHANGE AND THE CONTROLLING ENGINEERING ORGANIZATION SHOULD BE CONTACTED FOR THE LATEST REVISION.</small>		DWN MOROBE 2APR2001 CHK MATTHEEWS 5APR2001 APVD BOZZER 5APR2001	 Tyco Electronics CH - Switzerland - Lugano
DIMENSIONS: mm 	TOLERANCES UNLESS OTHERWISE SPECIFIED: 0 PLC ± 1 PLC ±0.5 2 PLC ±0.13 3 PLC ±0.013 4 PLC ±0.0001 ANGLES ±	PRODUCT SPEC 108-71032 APPLICATION SPEC SEE TABLE WEIGHT -	NAME CABLE PLUG SNAP-ON COUPLING 1.0/2.3 75 Ohm
MATERIAL -	FINISH -	SIZE A3	CAGE CODE 00779 DRAWING NO C-5-1393670-7 RESTRICTED TO -
		SCALE 5:1	SHEET 2 OF 3 REV B3

THIS DRAWING IS UNPUBLISHED. RELEASED FOR PUBLICATION 2000
 © COPYRIGHT 2000 BY TYCO ELECTRONICS CORPORATION. ALL RIGHTS RESERVED.

LOC	DIST	REVISIONS					
		P	LTR	DESCRIPTION	DATE	DWN	APVD
IS	-			SEE SHEET 1	-	-	-

Old Nr	TE Nr	Cable Type	Dim a	Dim b	Appl. Spec.	Description	Material	Plating
5	619353-1	RG179D	1.7	4.45	114-71009	Dielectric	PTFE	-
						Outer Con.	CuBe/ Bronze	min. 0.2 μm Au over PdNi in contact area
						Center Con.	Cu Be Brass	min. 0.1 μm Au over min. 2 μm NiP
5	619086-1	02Y12YC(mS) C6Y 0.45/2.0 BT 3002 TZC 750 24	2.1	5.2	114-71009	Dielectric	PTFE	-
						Outer Con.	CuBe/ Bronze	min. 0.2 μm Au over PdNi in contact area
						Center Con.	Cu Be Brass	min. 0.1 μm Au over min. 2 μm NiP
5	9-1393670-5	ST212	2.15	4.45	114-71012	Dielectric	PTFE	-
						Outer Con.	CuBe/ Bronze	min. 0.2 μm Au over PdNi in contact area
						Center Con.	Cu Be Brass	min. 0.1 μm Au over min. 2 μm NiP
5	9-1393670-4	02y(st)cy 0.45/2.0	2.15	5.2	114-71009	Dielectric	PTFE	-
						Outer Con.	CuBe/ Bronze	min. 0.2 μm Au over PdNi in contact area
						Center Con.	Cu Be Brass	min. 0.1 μm Au over min. 2 μm NiP

<small>THIS DRAWING IS A CONTROLLED DOCUMENT FOR TYCO ELECTRONICS CORPORATION IT IS SUBJECT TO CHANGE AND THE CONTROLLING ENGINEERING ORGANIZATION SHOULD BE CONTACTED FOR THE LATEST REVISION.</small>		DWN MOROBE 2APR2001 CHK MATTHEEWS 5APR2001 APVD BOZZER 5APR2001	 Tyco Electronics CH - Switzerland - Lugano
DIMENSIONS: mm 	TOLERANCES UNLESS OTHERWISE SPECIFIED: 0 PLC ± 1 PLC ±0.5 2 PLC ±0.13 3 PLC ±0.013 4 PLC ±0.0001 ANGLES ±	PRODUCT SPEC 108-71032 APPLICATION SPEC SEE TABLE WEIGHT -	NAME CABLE PLUG SNAP-ON COUPLING 1.0/2.3 75 Ohm
MATERIAL -	FINISH -	SIZE A3	CAGE CODE 00779 DRAWING NO C=5-1393670-7 RESTRICTED TO -
		SCALE 5:1	SHEET 3 OF 3 REV B3

单击下面可查看定价，库存，交付和生命周期等信息

[>>TE Connectivity\(泰科\)](#)