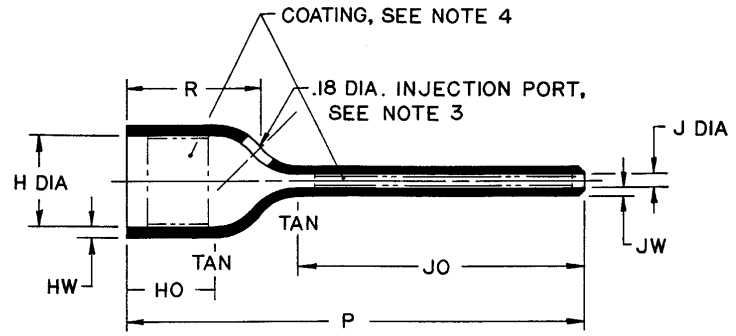


| REVISIONS |             |         |                    |
|-----------|-------------|---------|--------------------|
| LTR       | DESCRIPTION | DATE    | APPROVED           |
| A         |             | 3-18-83 | <i>[Signature]</i> |



NOTES:

- All dimensions are in inches (millimeters).
- Dimensions appearing in table are as follows:
  - As supplied
  - After unrestricted recovery
- When (-00) modification no. is specified, part shall have injection port located as shown and shall be supplied with plug 002A011 of same material.
- When slash no. is specified, parts shall be coated as shown.

ORDERING INFORMATION:

Base part number 202A921 -3 -00 /42  
 Material dash number \_\_\_\_\_  
 -3 Polyolefin, semi-rigid (RT-301)  
 -4 Polyolefin, flexible (RT-1304)  
 -12 Viton, flexible (RT-1312)  
 -25 Elastomer, fluid resistant (RT-1325)  
 Modification number \_\_\_\_\_  
 -00 Injection port  
 Slash number \_\_\_\_\_  
 /42 S1017 Adhesive (For -3 & -4 material only)

| PART NO. | H             |               | J                         |              |              | P              | R             | HO            | JO             | HW            | JW             |
|----------|---------------|---------------|---------------------------|--------------|--------------|----------------|---------------|---------------|----------------|---------------|----------------|
|          | Min           | Max           | Min                       | Max          | ±10%         |                |               |               |                |               |                |
|          | a             | b             | $-.25$<br>$-.35$<br>$-.4$ | $-.12$       | b            | b              | b             | b             | b              | b             |                |
| 202A921  | .76<br>(19,3) | .51<br>(13,0) | .25<br>(6,3)              | .18<br>(4,5) | .08<br>(2,1) | 2.38<br>(60,5) | .70<br>(17,8) | .46<br>(11,7) | 1.49<br>(37,8) | .06<br>(1,52) | .045<br>(1,14) |

SPECIFICATION CONTROL DRAWING

|  |           |                           |                |   |                |
|--|-----------|---------------------------|----------------|---|----------------|
| THIS DRAWING AND THE INFORMATION SET FORTH HEREON ARE THE PROPERTY OF RAYCHEM CORPORATION, AND ARE TO BE HELD IN TRUST AND CONFIDENCE. PUBLICATION, DUPLICATION, DISCLOSURE, OR USE FOR ANY PURPOSE NOT EXPRESSLY AUTHORIZED IN WRITING BY RAYCHEM CORPORATION IS PROHIBITED.<br><br>DO NOT SCALE THIS DRAWING | DRAWN     | <i>K. J. ... 12/24/77</i> | <b>Raychem</b> | RAYCHEM CORPORATION<br>388 CONSTITUTION DRIVE<br>MENLO PARK, CALIFORNIA 94025 |                |
|  | CHECKED   | <i>S. J. ... 12-29-77</i> |                | TITLE   | BOOT, STRAIGHT |
|  | DSGN APPD | <i>RNC 1/5/78</i>         | CODE IDENT.    | PART NO.  | 202A921        |
|  | MFG APPD  | <i>Red 1/5/78</i>         | NO. 08080      |   |                |
|  | QC APPD   | <i>S. J. ... 1/5/78</i>   |                |   |                |
|  | MKTG APPD | <i>B. Keppner 1/1/78</i>  |                |   |                |

If this document is printed it becomes uncontrolled.  
Check for the latest revision.

单击下面可查看定价，库存，交付和生命周期等信息

[>>TE Connectivity\(泰科\)](#)