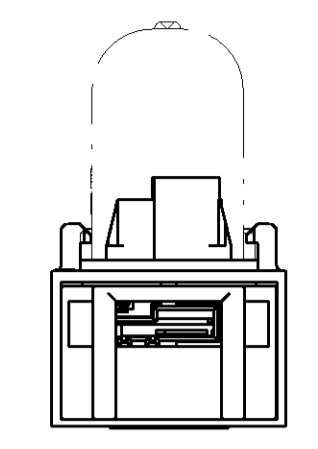
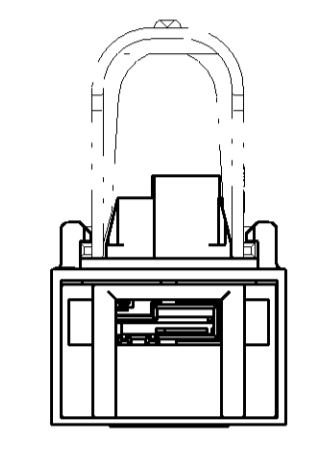


Part Number	Color	Material	Short Circuit	Coding	Front View
1-953041-4	NONE AUCUNE	PBT 20% GF PBT 20% FV	YES OUI	CODING 1 CODAGE 1	
1-953041-2	4 - 10 - 12 - 13 22 - 23 - 24 - 25 26 - 27 - 28 - 29 30 - 31	PBT 20% GF PBT 20% FV	NO NON	CODING 2 CODAGE 2	
1-953041-1	4 - 10 - 12 - 13 22 - 23 - 24 - 25 26 - 27 - 28 - 29 30 - 31	PBT 20% GF PBT 20% FV	YES OUI	CODING 1 CODAGE 1	
953041-8	3 - 10 - 22 - 23 24 - 25 - 26 - 29	PBT 20% GF PBT 20% FV	YES OUI	CODING 1 CODAGE 1	
953041-7	3 - 10 - 22 - 23 24 - 25 - 26 - 29	PBT 20% GF PBT 20% FV	YES OUI	CODING 1 CODAGE 1	
953041-6	27 - 28 - 29 30 - 31	PBT 20% GF PBT 20% FV	NO NON	CODING 2 CODAGE 2	
953041-5	10 - 12 - 13 - 23 24 - 25 - 26 - 27 28 - 29 - 30 - 31	PBT 20% GF PBT 20% FV	NO NON	CODING 2 CODAGE 2	
953041-4	12 - 28 - 29 - 27 28 - 29 - 30 - 31	PBT 20% GF PBT 20% FV	NO NON	CODING 2 CODAGE 2	
953041-3	10 - 12 - 13 - 23 24 - 25 - 26 - 27 28 - 29 - 30 - 31	PBT 20% GF PBT 20% FV	YES OUI	CODING 1 CODAGE 1	
953041-2	27 - 28 - 29 30 - 31	PBT 20% GF PBT 20% FV	YES OUI	NEUTRAL NEUTRE	
953041-1	NONE AUCUNE	PBT 20% GF PBT 20% FV	YES OUI	NEUTRAL NEUTRE	

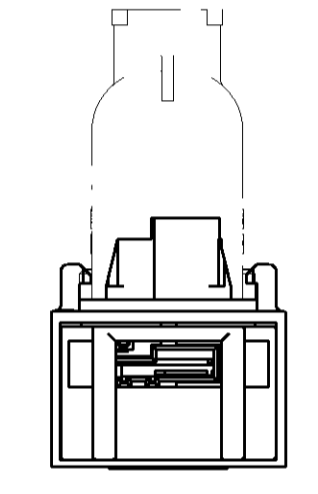
View	AMP REF	Blocked Up Cavities	Material	Color	Short Circuit	Coding	Front View
REAR VIEW (VUE ARRIERE)	(REF AMP)	(ALVEOLES BOUCHEES)	(MATIERE)	(COULEUR)	(SHUNT)	(CODAGE)	(VUE AVANT)



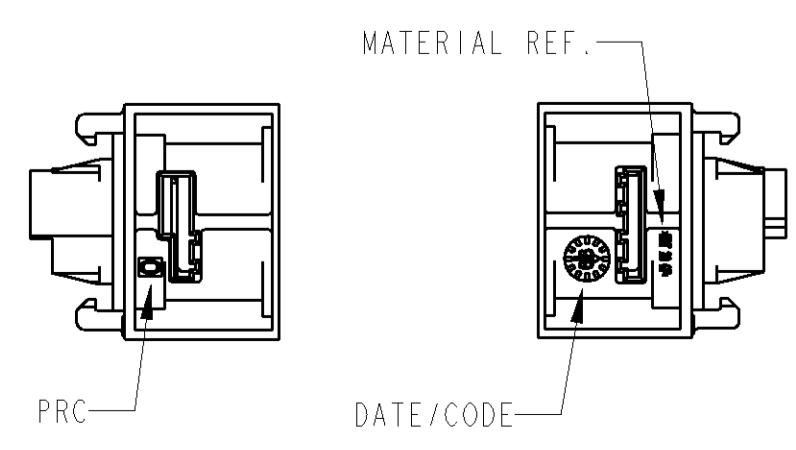
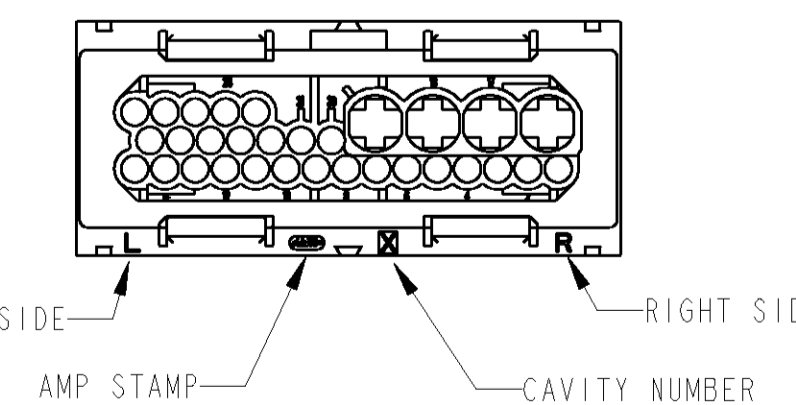
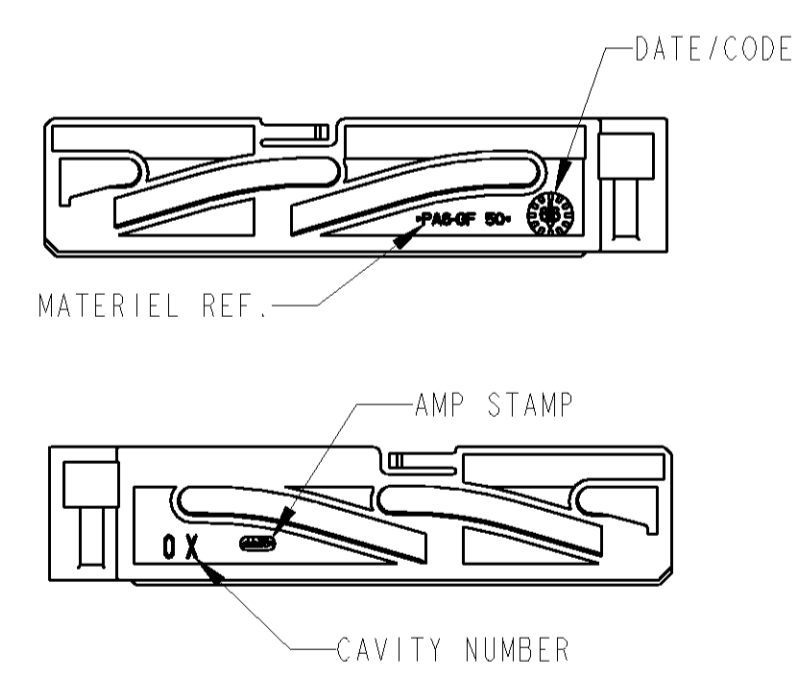
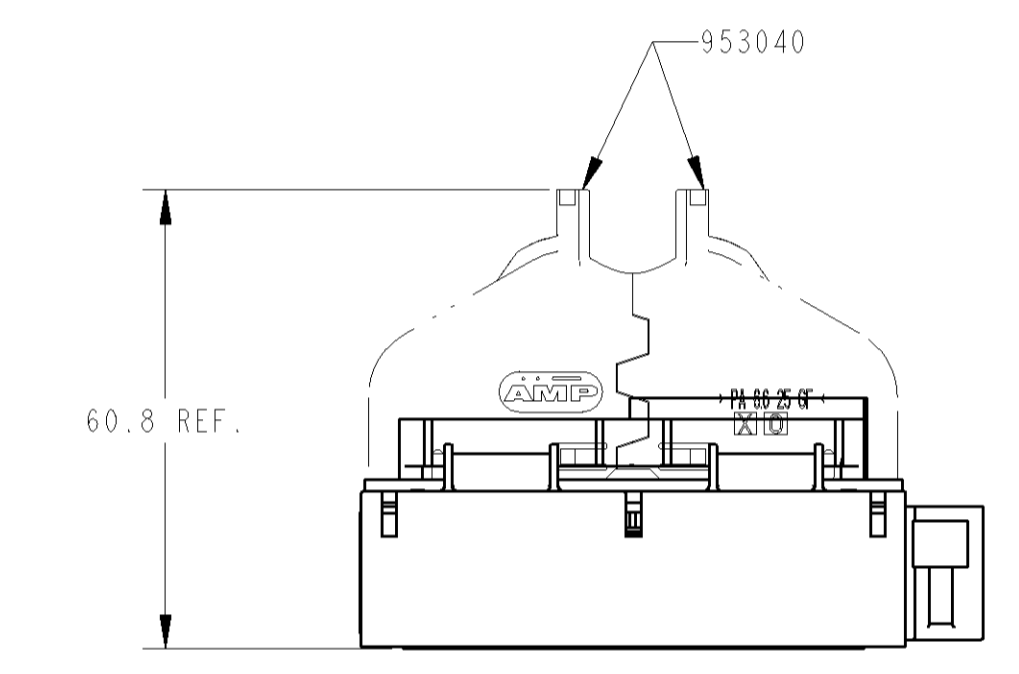
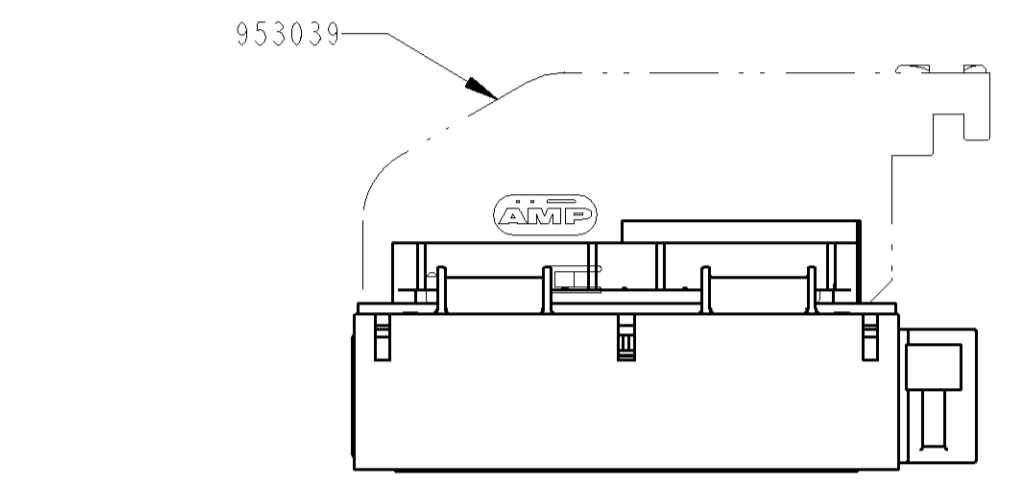
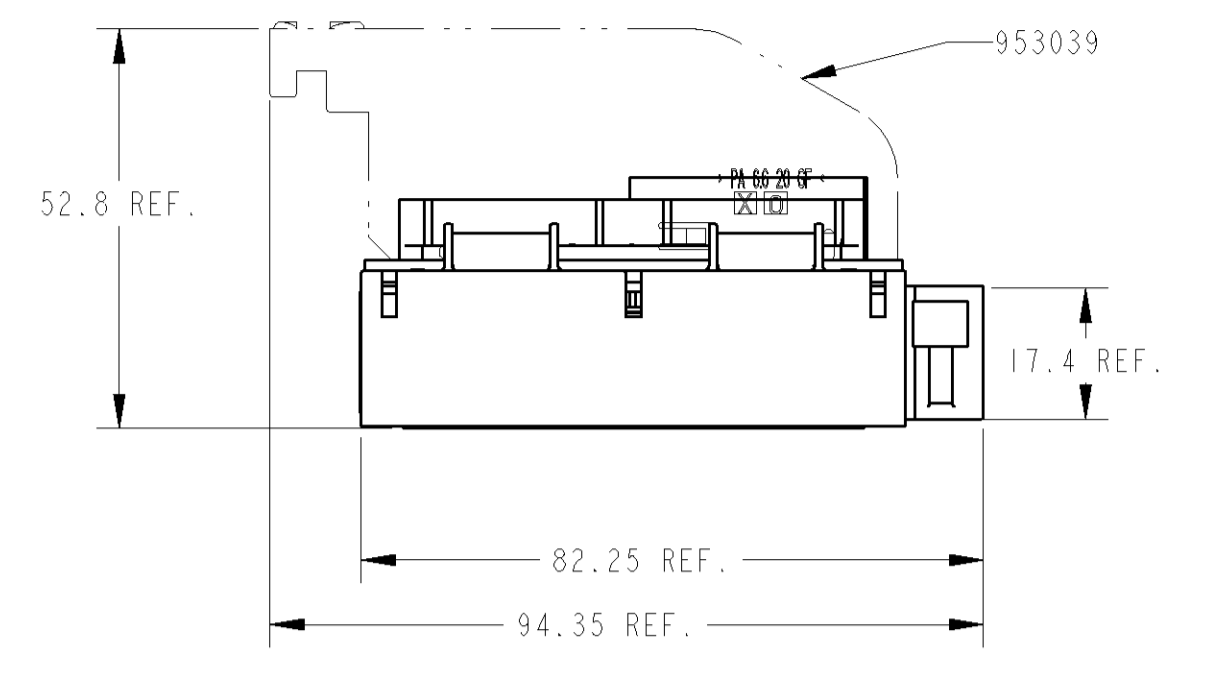
COVER LEFT EXIT
(CAPOT SORTIE GAUCHE)



COVER RIGHT EXIT
(CAPOT SORTIE DROITE)



COVER VERTICAL EXIT
(CAPOT SORTIE VERTICALE)



Color	Material	Designation	P/N	REP
NATUREL	INOX DORE	SHUNT	953165-1	5
ROUGE	SILICONE	JOINT	953066-2	4
ROUGE	PA6 50% FV	ETRIER	953046-2	3
NOIR	PBT 20% FV	BOITIER	953045-9	2
NOIR	PBT 20% FV	BOITIER	953045-6	2
NOIR	PBT 20% FV	BOITIER	953045-4	2
NOIR	PBT 20% FV	BOITIER	953045-3	2
NOIR	PBT 20% FV	BOITIER	953045-2	2
NOIR	PBT 20% FV	BOITIER	953045-1	2
NOIR	PBT 20% FV	PORTE CLIPS	953034-3	1
NOIR	PBT 20% FV	PORTE CLIPS	953034-2	1
NOIR	PBT 20% FV	PORTE CLIPS	953034-1	1

Color	Material	Designation	P/N	DTM
NATURAL	STAINLESS	SHUNT	953165-1	5
RED	SILICONE	SEAL	953066-2	4
RED	PA6 50% GF	SLIDE	953046-2	3
BLACK	PBT 20% GF	HOUSING	953045-9	2
BLACK	PBT 20% GF	HOUSING	953045-6	2
BLACK	PBT 20% GF	HOUSING	953045-4	2
BLACK	PBT 20% GF	HOUSING	953045-3	2
BLACK	PBT 20% GF	HOUSING	953045-2	2
BLACK	PBT 20% GF	HOUSING	953045-1	2
BLACK	PBT 20% GF	REC. HSG	953034-3	1
BLACK	PBT 20% GF	REC. HSG	953034-2	1
BLACK	PBT 20% GF	REC. HSG	953034-1	1

<p>THIS DRAWING IS UNPUBLISHED. RELEASED FOR PUBLICATION UNDER THE CONTROL OF THE DRAWING OFFICE. ALL RIGHTS RESERVED. TOOLS, DIMENSIONS, TOLERANCES, UNLESS OTHERWISE SPECIFIED, SHALL BE IN ACCORDANCE WITH THE ISO STANDARDS.</p> <p>PROJECTIONS: mm</p> <p>TOLERANCES: UNLESS OTHERWISE SPECIFIED: mm</p> <p>FINISH: SEE TABLE</p> <p>MATERIAL: SEE TABLE</p>	<p>DATE: 28-APR-97</p> <p>APPD APPROVE: J.P. CAUD</p> <p>APPD APPROVE: J.P. CAUD</p> <p>PRODUCT SPEC: 411-15172</p> <p>APPL. SPEC: 411-15399</p> <p>WEIGHT: APPROX. 41.3 g</p> <p>CUSTOMER DRAWING / PLAN CLIENT</p>	<p>AMP DE FRANCE</p> <p>95301 PONTAISE</p> <p>ASSY 31W CONNECTOR RIGHT SLIDE</p> <p>ASSEMBLAGE CONNECTEUR 31 VOIES TIMER HYBRIDE - ETRIER DROIT</p> <p>UNIFORMITY: 00779</p> <p>SCALE: 1:1</p> <p>SHEET: 1 OF 1</p> <p>REV: S</p>
---	--	---

单击下面可查看定价，库存，交付和生命周期等信息

[>>TE Connectivity\(泰科\)](#)