

4

3

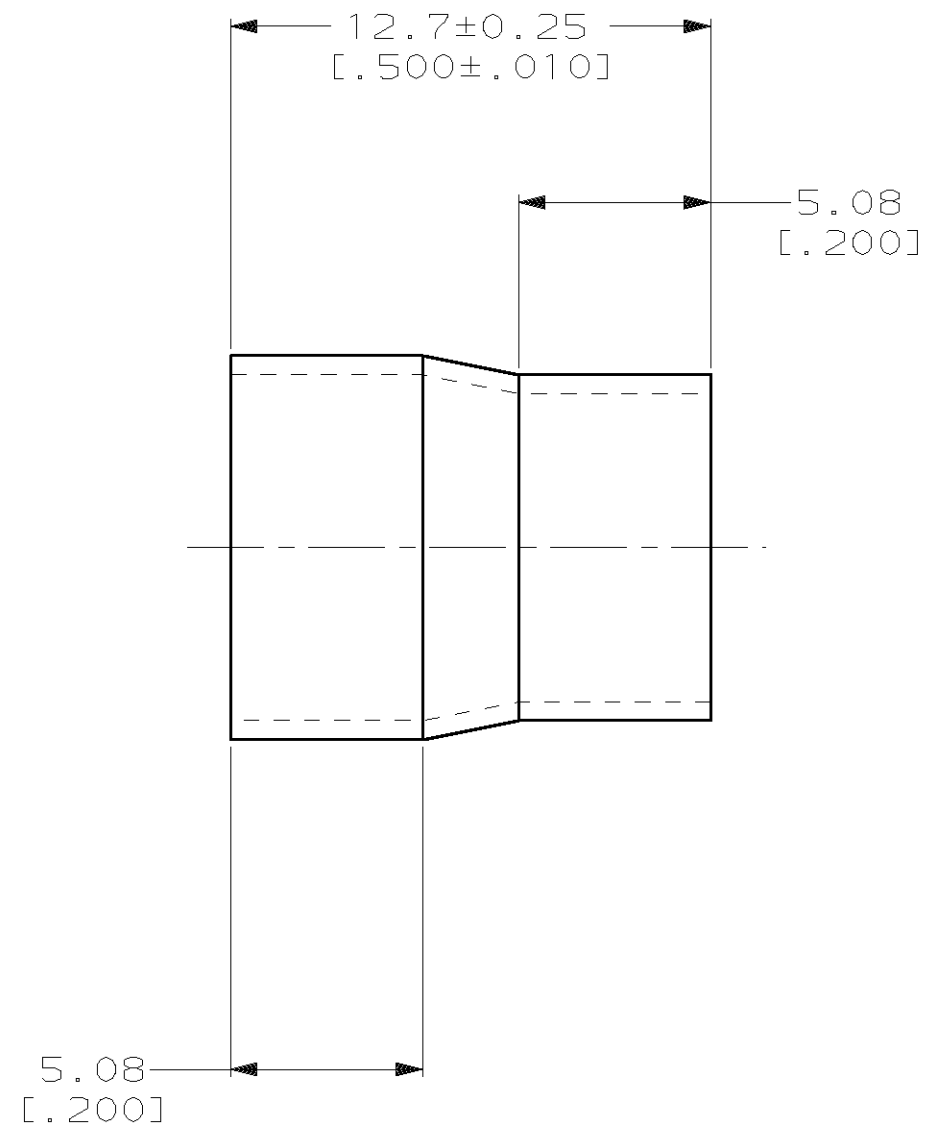
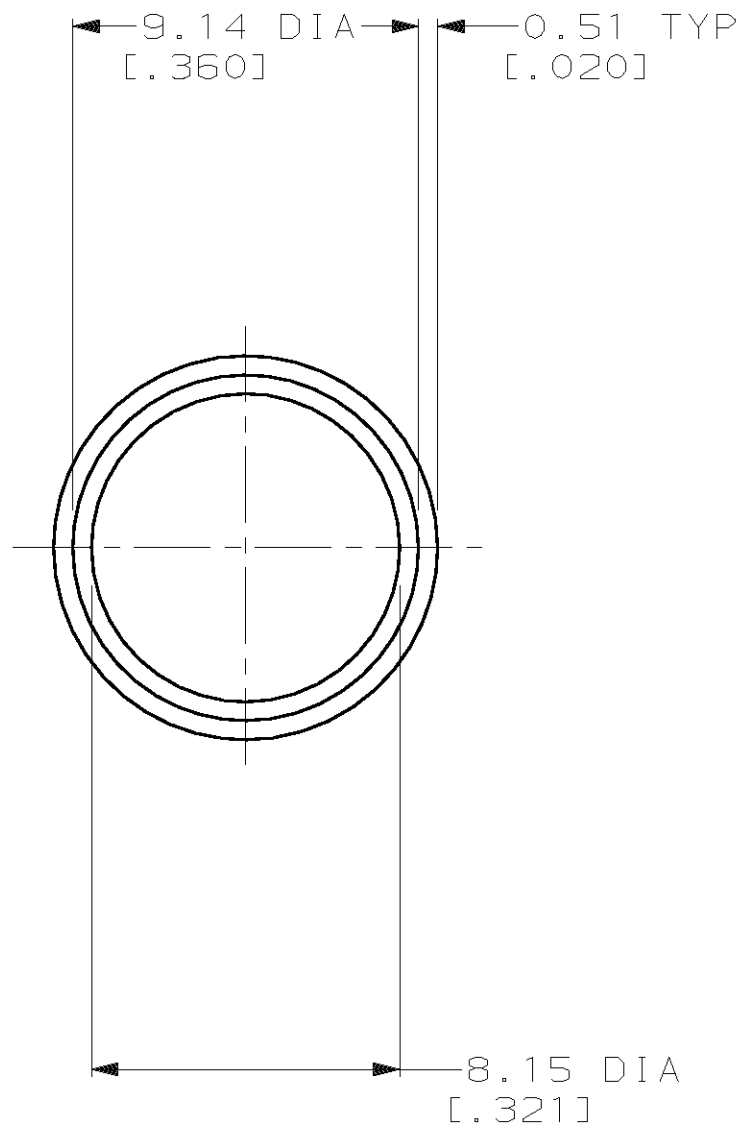
2

1

THIS DRAWING IS UNPUBLISHED. RELEASED FOR PUBLICATION, 19 .

© COPYRIGHT 19 BY AMP INCORPORATED. ALL RIGHTS RESERVED.

LOC	DIST	REVISIONS					
		P	LTR	DESCRIPTION	DATE	DWN	APVD
BD	50			A REVISED PER AF0372	22 JUL 84	SS	GY
				B RELEASED PER P.A.R	03 OCT 84	SS	GY
				C REV PER AF4854	29 JUN 87	DH	-
				D REV PER EC 0G40-180-98	07 APR 99	DH	JS



520441-1

PART NUMBER

1. INSULATION RANGE:
8.00-6.65 [0.315-0.262]

THIS DRAWING IS A CONTROLLED DOCUMENT.		DWN S. SCHAFFHAUSER 02 APR 84	AMP AMP Incorporated Harrisburg, PA 17105-3608												
DIMENSIONS: mm [INCHES]		CHK G. YETTER 02 APR 84													
TOLERANCES UNLESS OTHERWISE SPECIFIED:		APVD C. ROHDE 02 APR 84	NAME FERRULE, STYLE B, 16 POSITION, SDL												
<table border="0"> <tr><td>0 PLC</td><td>±-</td></tr> <tr><td>1 PLC</td><td>±-</td></tr> <tr><td>2 PLC</td><td>±0.38 [.015]</td></tr> <tr><td>3 PLC</td><td>±-</td></tr> <tr><td>4 PLC</td><td>±-</td></tr> <tr><td>ANGLES</td><td>±-</td></tr> </table>		0 PLC	±-	1 PLC	±-	2 PLC	±0.38 [.015]	3 PLC	±-	4 PLC	±-	ANGLES	±-	PRODUCT SPEC -	SIZE A3
0 PLC	±-														
1 PLC	±-														
2 PLC	±0.38 [.015]														
3 PLC	±-														
4 PLC	±-														
ANGLES	±-														
MATERIAL COPPER	FINISH BRIGHT TIN	APPLICATION SPEC -	CAGE CODE 00779												
		WEIGHT -	DRAWING NO C- 520441												
		CUSTOMER DRAWING	RESTRICTED TO -												
		SCALE 5:1	SHEET 1 OF 1												
			REV D												

单击下面可查看定价，库存，交付和生命周期等信息

[>>TE Connectivity\(泰科\)](#)