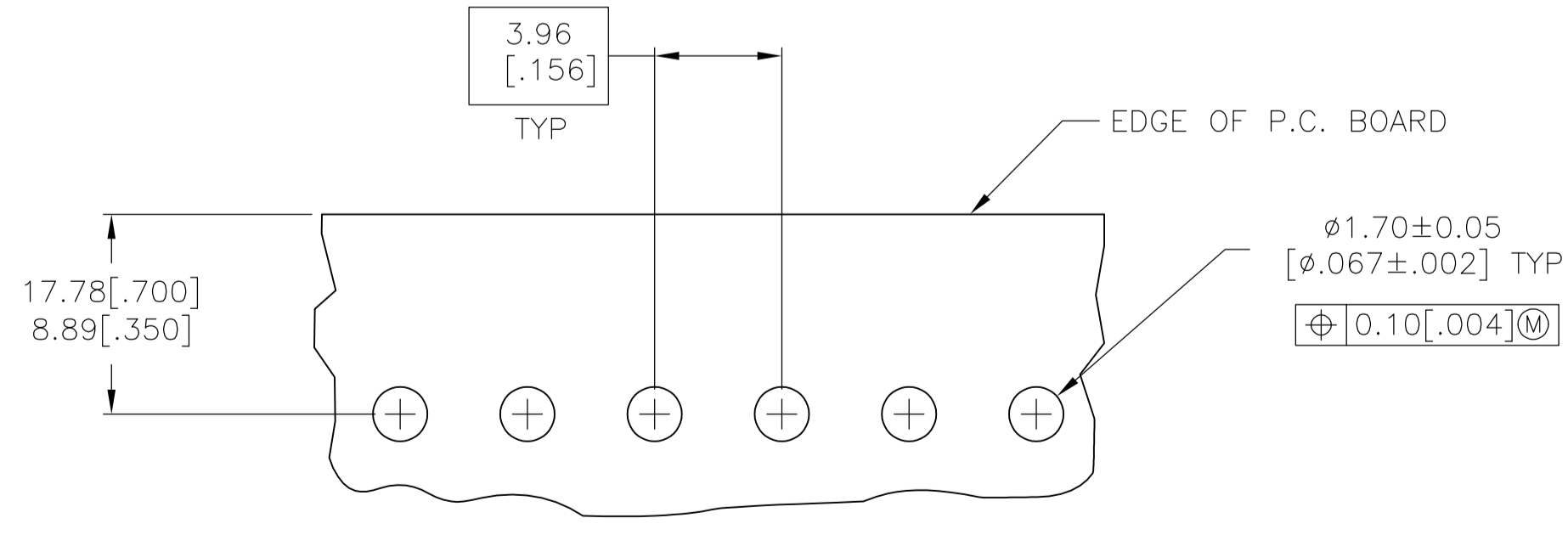
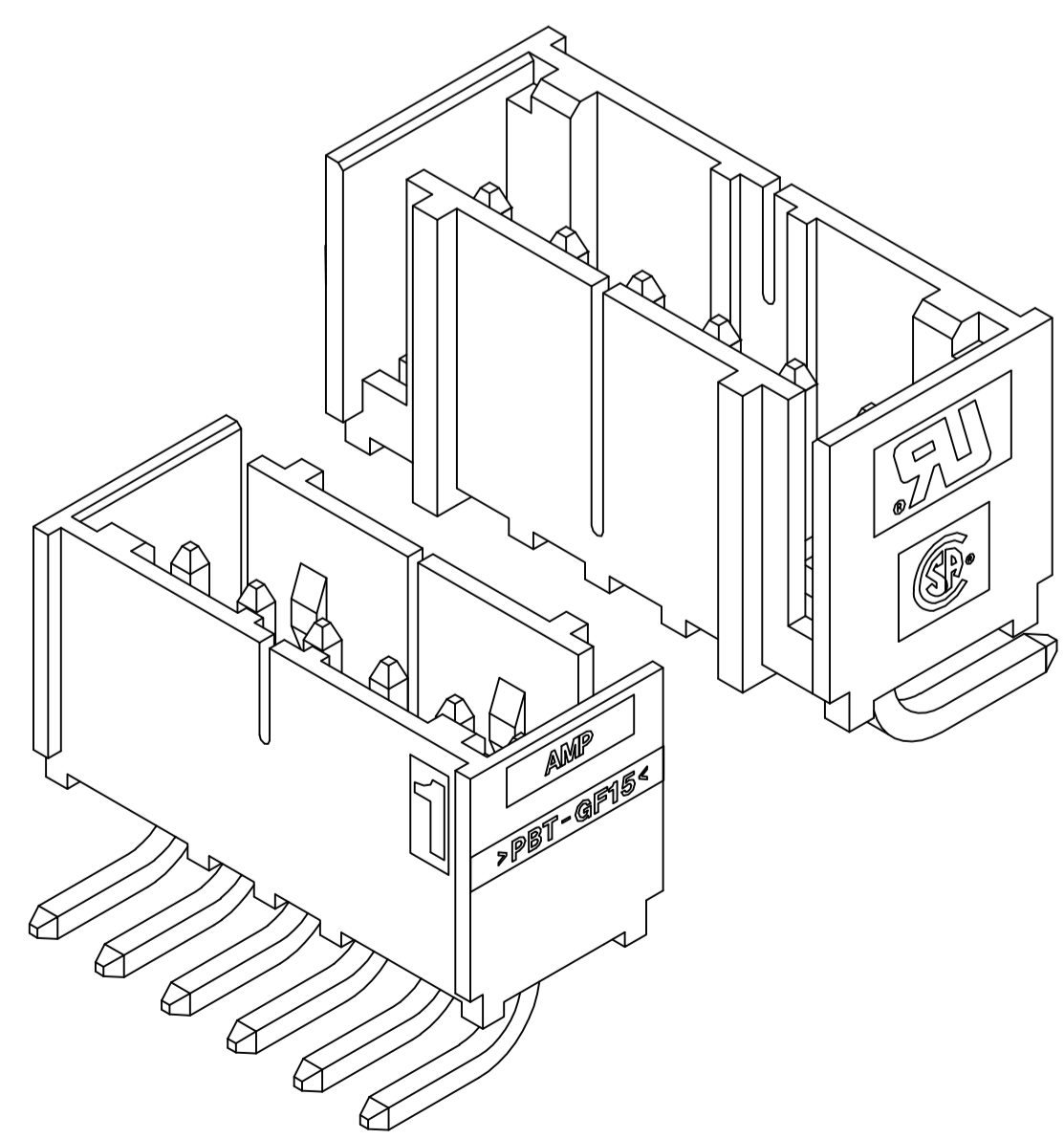
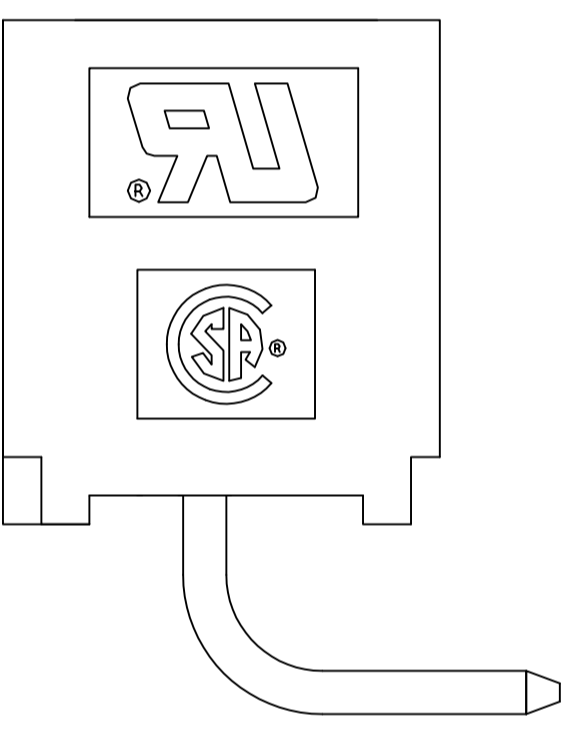
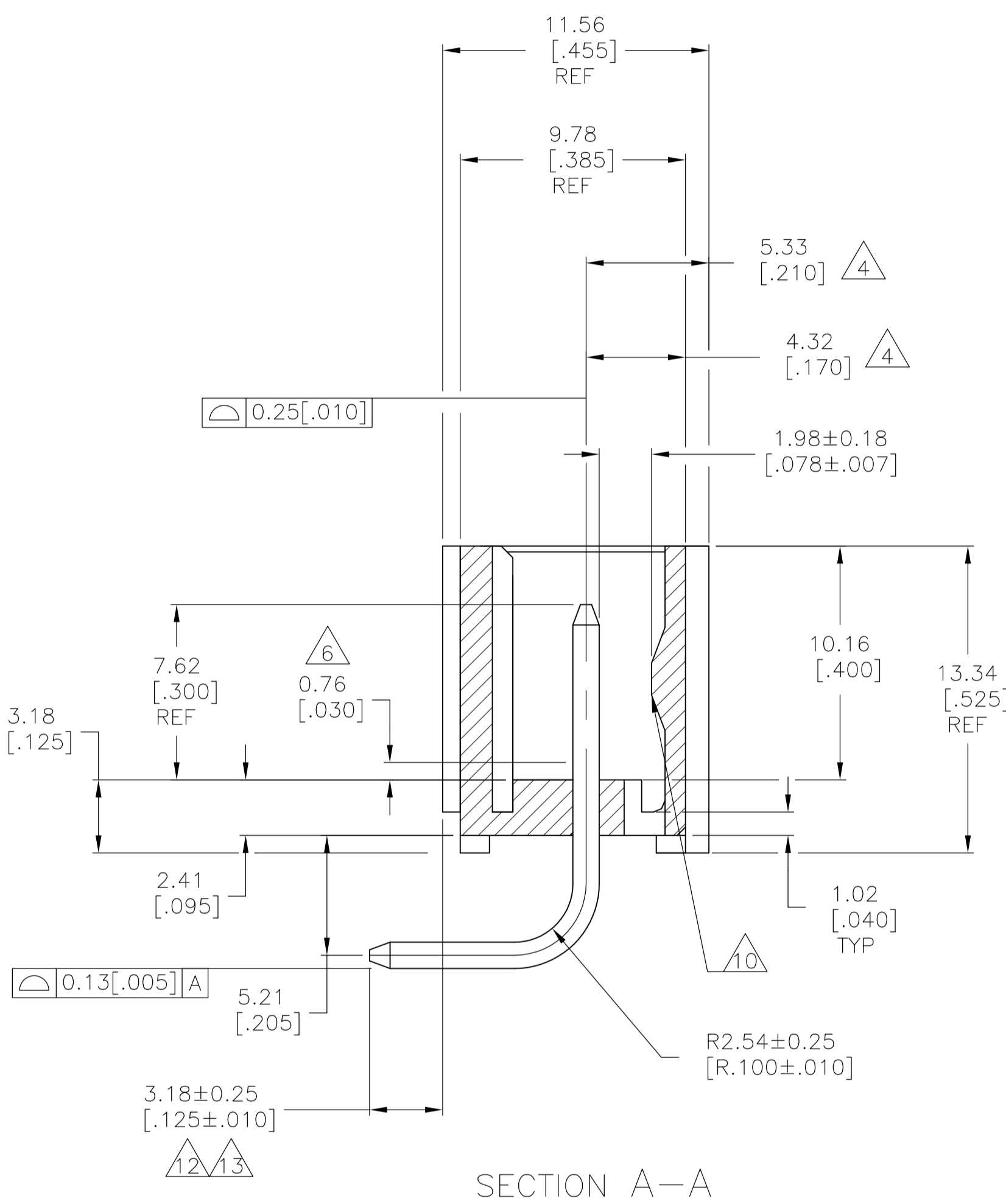
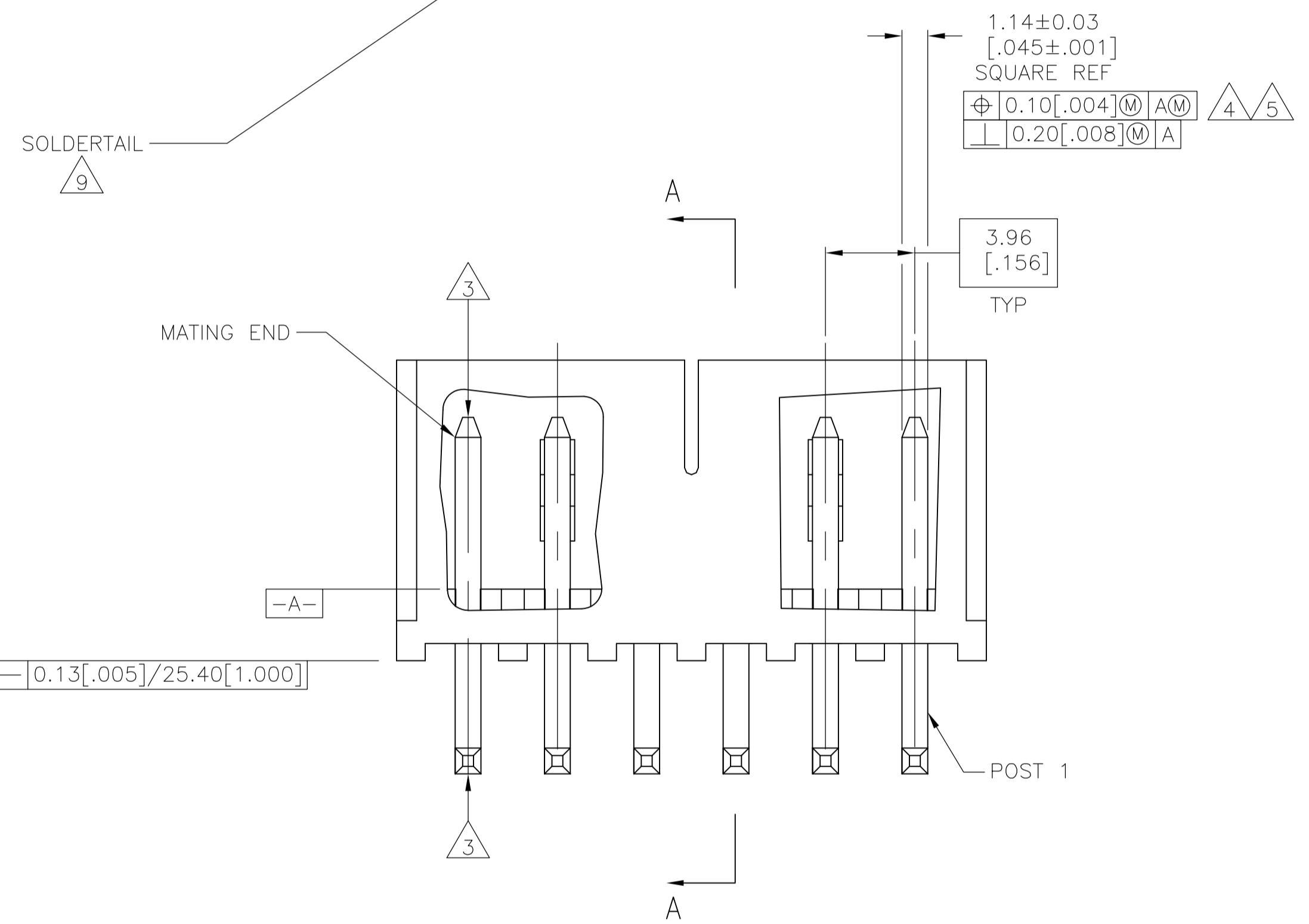
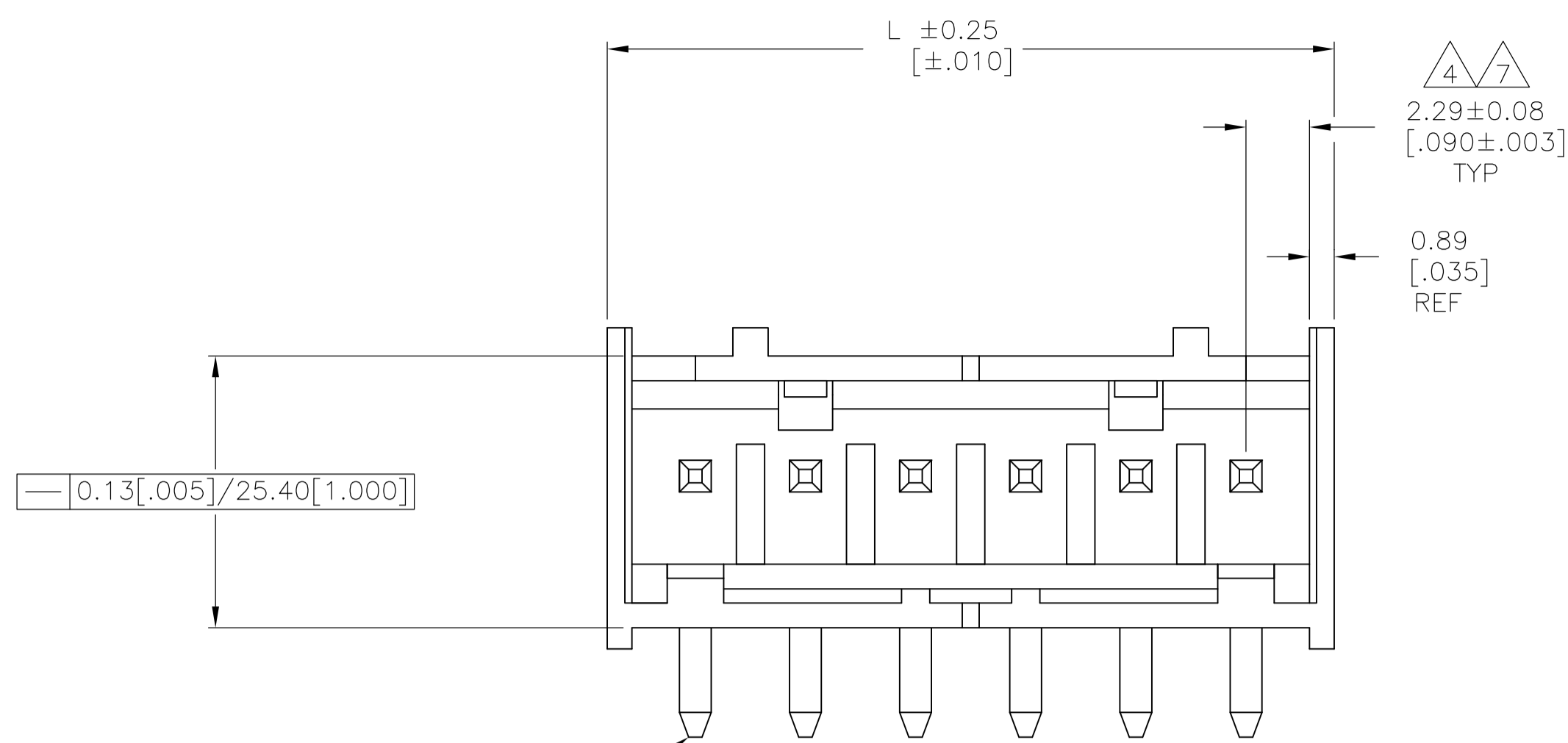


LOC		DIST		REVISIONS			
CM	0	REV	DATE	BY	APPV	DATE	BY
E1	REVISED PER	ECR-15-007038	28SEP2015	NK	PQ		



- 1 MATERIAL:
HOUSING - THERMOPLASTIC POLYESTER, GLASS FILLED, UL94-0.
POST - COPPER ALLOY
- 2 FINISH:
HOUSING - BLACK
POST - SEE NOTES 12 AND 13.
- 3 POST TO WITHSTAND 3LBS. (16N) MIN AXIAL FORCE IN THIS DIRECTION WITHOUT DISLODGING.
- 4 APPLIES AT -A-.
- 5 APPLIES WHEN HEADER IS STRAIGHT.
- 6 PLASTIC PROJECTIONS PERMITTED IN THIS ZONE.
- 7 COORDINATE DIMENSIONS APPLIES FROM CENTER OF ACTUAL FEATURE.
- 8 SOLDER SIDE OF BOARD IS SHOWN.
- 9 POST SOLDER TAIL MUST COMPLY WITH AMP SOLDERABILITY SPEC 109-11-2.
- 10 LATCH DETENT FEATURE APPEARS 1 PLACE ON EACH END OF PART (MAX OF 2 PER PART) ON ALL POSITIONS 4 THRU 12. THE LATCH APPEARS ONLY ONE PLACE ON 2 & 3 POSITION PARTS.
- 11. DIMENSIONS IN BRACKETS ARE IN INCHES.
- 12 MATTE TIN PLATE 0.00381 - 0.00889 [.000150 - .000350] THICK, OVER NICKEL UNDERPLATE 0.00127 [.000050] MIN THICK.
- 13 MATTE TIN PLATE 0.00381 - 0.00889 [.000150 - .000350] THICK, OVER NICKEL UNDERPLATE 0.00127 [.000050] MIN THICK.
- 14 OBSOLETE PARTS: OBSOLETE CIS STREAMLINING PER D.RENAUD/D.SINISI

PLATING	MM	IN	NO. OF POSN	PART NUMBER
	49.94	1.966	12	3-647125-2
	45.97	1.810	11	3-647125-1
	42.01	1.654	10	3-647125-0
	38.05	1.498	9	2-647125-9
	34.09	1.342	8	2-647125-8
	30.12	1.186	7	2-647125-7
	26.16	1.030	6	2-647125-6
	22.20	.874	5	2-647125-5
	18.24	.718	4	2-647125-4
	14.27	.562	3	2-647125-3
	10.31	.406	2	2-647125-2
	49.94	1.966	12	1-647125-2
	45.97	1.810	11	1-647125-1
	42.01	1.654	10	1-647125-0
	38.05	1.498	9	647125-9
	34.09	1.342	8	647125-8
	30.12	1.186	7	647125-7
	26.16	1.030	6	647125-6
	22.20	.874	5	647125-5
	18.24	.718	4	647125-4
	14.27	.562	3	647125-3
	10.31	.406	2	647125-2

THIS DRAWING IS A CONTROLLED DOCUMENT.		DIN B. LEWIS 17JUN98		STE TE Connectivity	
DIMENSIONS: mm [INCHES]		TOLERANCES UNLESS OTHERWISE SPECIFIED:		NAME	
0 PLC ± -		1 PLC ± -		D. CLARK 17JUN98	
1 PLC ± -		2 PLC ± -		PRODUCT SPEC	
2 PLC ± -		3 PLC ± .005		APPLICATION SPEC	
3 PLC ± -		4 PLC ± -		SIZE	
4 PLC ± -		ANGLES ± -		CAGE CODE DRAWING NO	
MATERIAL		FINISH		WEIGHT	
-		-		A1 00779 C=647125	
CUSTOMER DRAWING		SCALE 5:1		SHEET 1 OF 1 REV E1	

单击下面可查看定价，库存，交付和生命周期等信息

[>>TE Connectivity\(泰科\)](#)