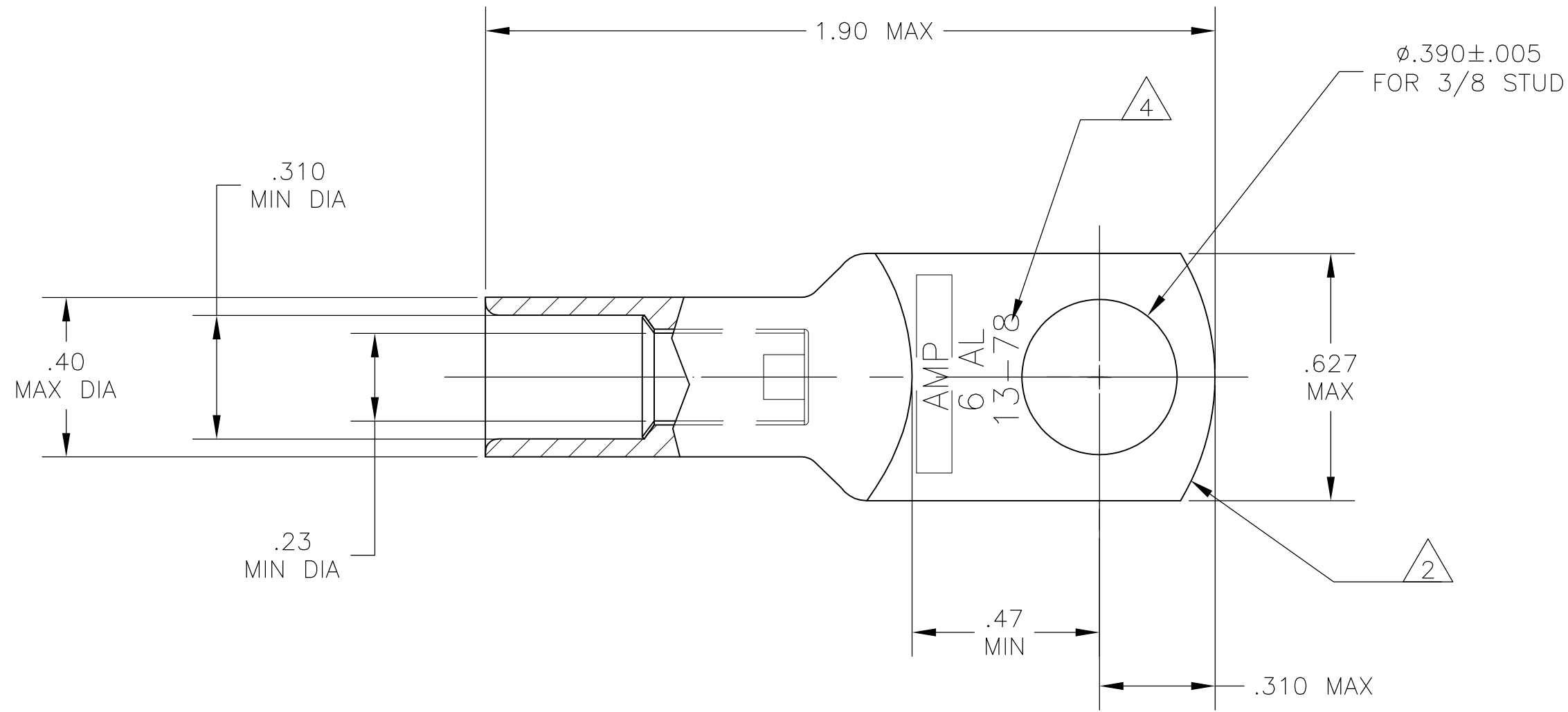
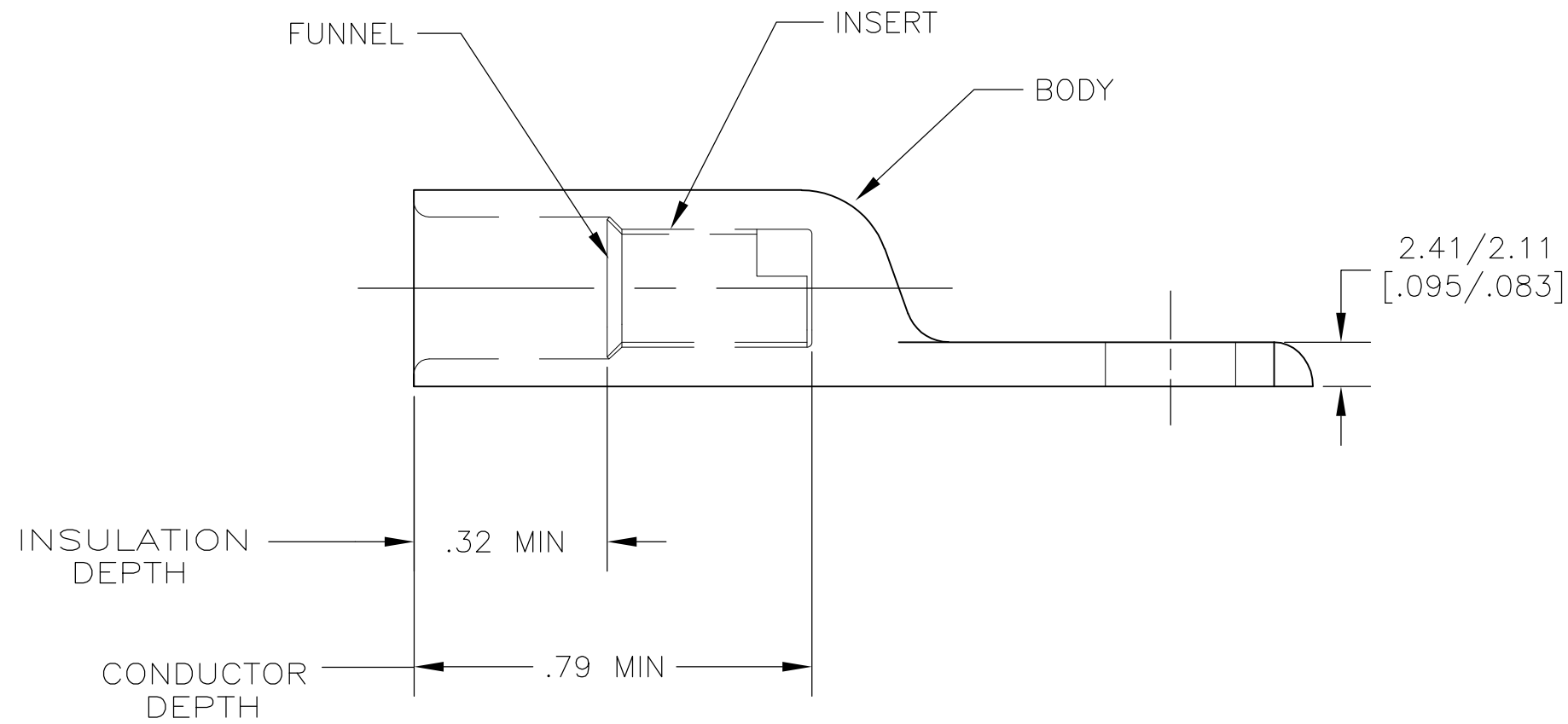


THIS DRAWING IS UNPUBLISHED. RELEASED FOR PUBLICATION
 © COPYRIGHT - By - ALL RIGHTS RESERVED.

LOC		DIST		REVISIONS			
P	LTR	DESCRIPTION	DATE	DWN	APVD		
	F	REV PER ECO-12-008336	20JUN12	PY	BW		



- 1 WIRE INSULATION: .260-291 DIA
- 2 THE TONGUE RADIUS FEATURE IS NOT A TOOLING CONTROLLED DIMENSION AND MAY NOT BE A TRUE RADIUS.
- 3 .020 FLASH PERMITTED ON WIRE BARRELL DUE TO IMPACTING
- 4 STAMP "AMP 6 AL 13-78" SIZE AND LOCATION APPROX AS SHOWN



BODY: COPPER ASTM-B187 ANNEALED TIN PL PER ASTM B-545 .000150 MIN THK INSERT & FUNNEL: BRASS ASTM B36 NICKEL PL SAE AMS QQ-N-290A, DATED JULY 2000, .000100 MIN THK	696869-1
MATERIAL & FINISH	PART NO.

THIS DRAWING IS A CONTROLLED DOCUMENT.		DWN	JR RUTH	12DEC05		TE Connectivity							
DIMENSIONS: INCHES		CHK	MJ SPICER	13DEC05		NAME							
TOLERANCES UNLESS OTHERWISE SPECIFIED:		APVD	MJ SPICER	13DEC05		PRODUCT SPEC							
0 PLC ± - 1 PLC ± - 2 PLC ± .01 3 PLC ± .008 4 PLC ± - ANGLES ± -		APPLICATION SPEC		WIRE TERMINAL, RING TONGUE, SEALED COPALUM, WIRE SIZE: 6 ALUMINUM									
MATERIAL	SEE TABLE	FINISH	SEE TABLE	WEIGHT	15.2 GRAMS	SIZE	A2	CAGE CODE	00779	DRAWING NO	C=696869	RESTRICTED TO	-
CUSTOMER DRAWING		SCALE		2:1	SHEET	1 of 1	REV	F					

单击下面可查看定价，库存，交付和生命周期等信息

[>>TE Connectivity\(泰科\)](#)