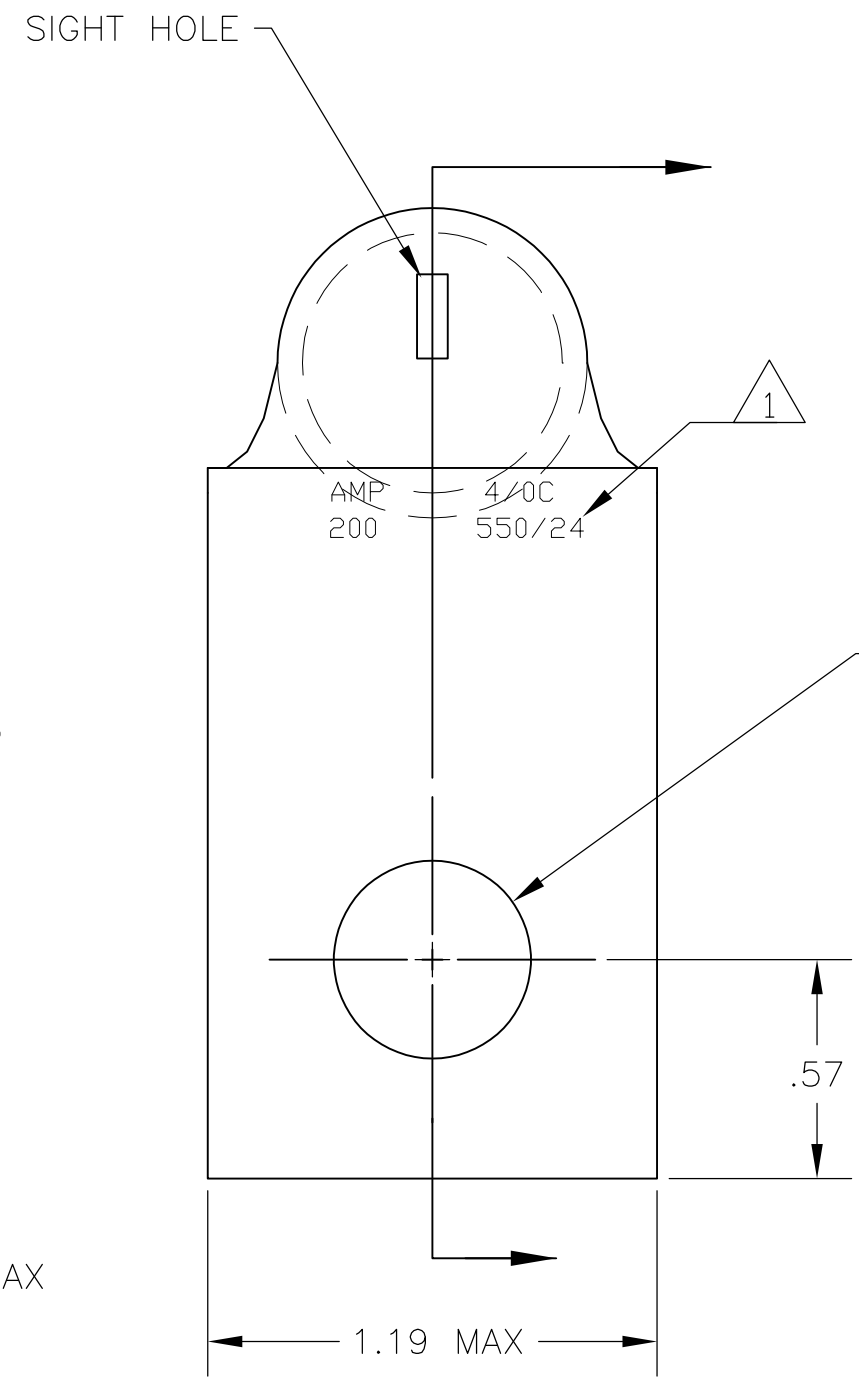
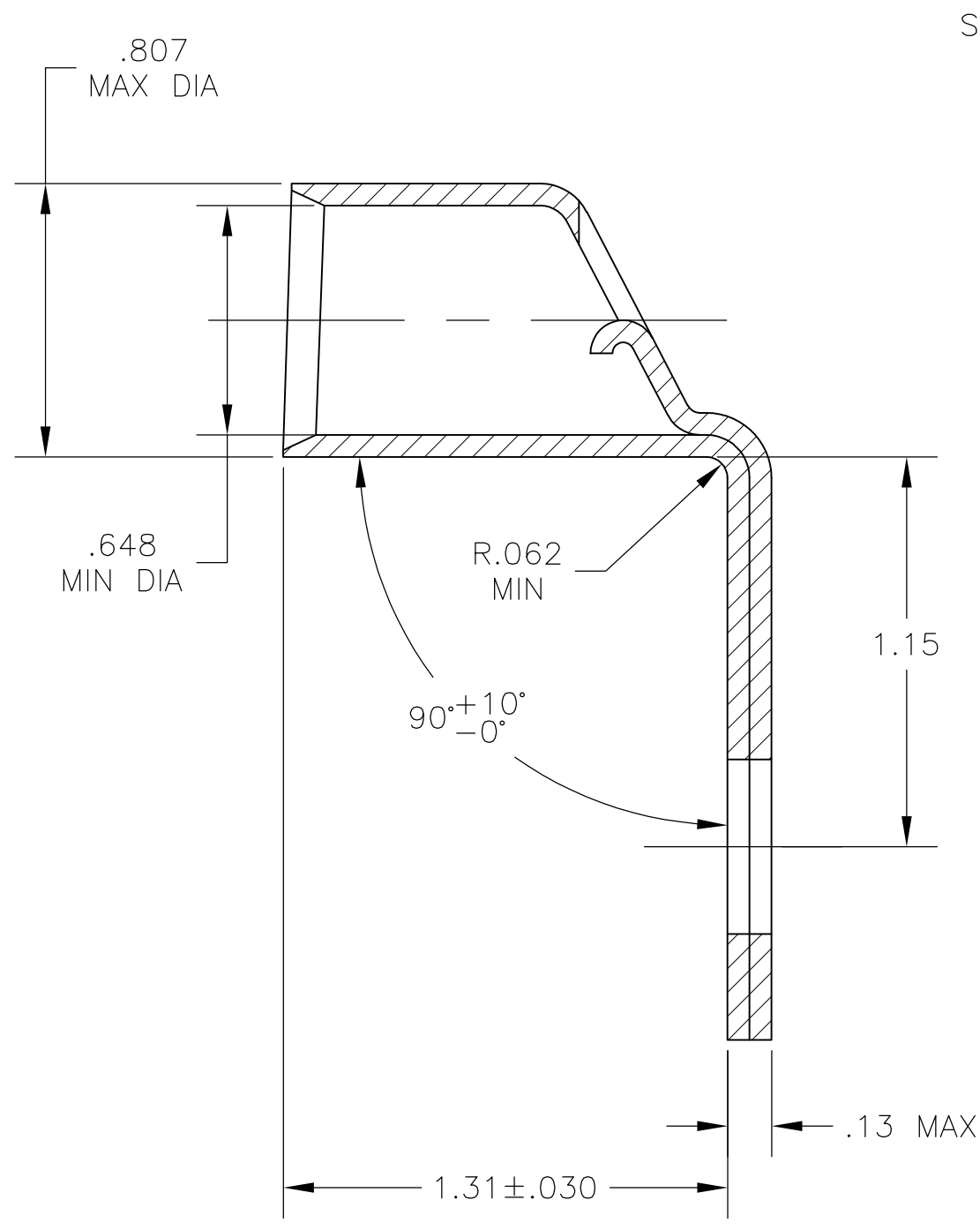


THIS DRAWING IS UNPUBLISHED. RELEASED FOR PUBLICATION
 © COPYRIGHT - BY TYCO ELECTRONICS CORPORATION. ALL RIGHTS RESERVED.

LOC	DIST	REVISIONS					
G	86	P	LTR	DESCRIPTION	DATE	DWN	APVD
		A1		REL PER ECR 08-018657	24JUL08	JR	RL

- 1 STAMP " AMP 4/0C 200 550/24" APPROX AS SHOWN.
- 2 MATERIAL: COPPER PER ASTM B-75, ANNEALED
- 3 FINISH: TIN PLATE .000150 MIN THK PER ASTM B-545



696764-1
 PART NO.

AMP INCORPORATED CUSTOMER SERVICE SYSTEMS		MAX RECOMMENDED OPERATING TEMPERATURE: 170°C MAX
FOR ADDITIONAL PRODUCT INFORMATION OR COPIES OF DRAWINGS AND TECHNICAL DOCUMENTS	PRODUCT INFORMATION CENTER 1-800-522-6752	VOLTAGE RATING: N/A
FOR APPLICATION TOOLING INFORMATION	TOOLING ASSISTANCE CENTER 1-800-722-1111	CIRCULAR MIL AREA: 100-125mm ² [190,000-231,000] STRANDED
FOR ORDER ENTRY	1-800-526-5142	

THIS DRAWING IS A CONTROLLED DOCUMENT FOR AMP INCORPORATED. IT IS SUBJECT TO CHANGE AND THE CONTROLLING ENGINEERING ORGANIZATION SHOULD BE CONTACTED FOR THE LATEST REVISION.

THIS DRAWING IS A CONTROLLED DOCUMENT.	
DIMENSIONS: INCHES	TOLERANCES UNLESS OTHERWISE SPECIFIED:
	0 PLC ± -
	1 PLC ± -
	2 PLC ± .02
	3 PLC ± .008
	4 PLC ± -
	ANGLES ± -
MATERIAL	FINISH
- 2	- 3

DWN jr_ruth 16FEB05	Tyco Electronics Corporation Harrisburg, Pa 17105-3608	
CHK MJ SPICER 16FEB05	NAME	
APVD MJ SPICER 16FEB05	TERMINAL, AMPOWER WIRE SIZE: 4/0	
PRODUCT SPEC	SIZE	CAGE CODE
APPLICATION SPEC	A3	00779
WEIGHT -	DRAWING NO	RESTRICTED TO
CUSTOMER DRAWING	G-696764	-
SCALE 1:1	SHEET 1 OF 1	REV A1

单击下面可查看定价，库存，交付和生命周期等信息

[>>TE Connectivity\(泰科\)](#)