

FAA/PMA

B-429CA REV. 1

CONSTRUCTION
MAIN CONTACTS
CONFIGURATION
VOLTAGE
CURRENT RES.
IND. RUPTURE

* AUXILIARY CONTACTS
CONFIGURATION
VOLTAGE
CURRENT RES.
IND. RUPTURE

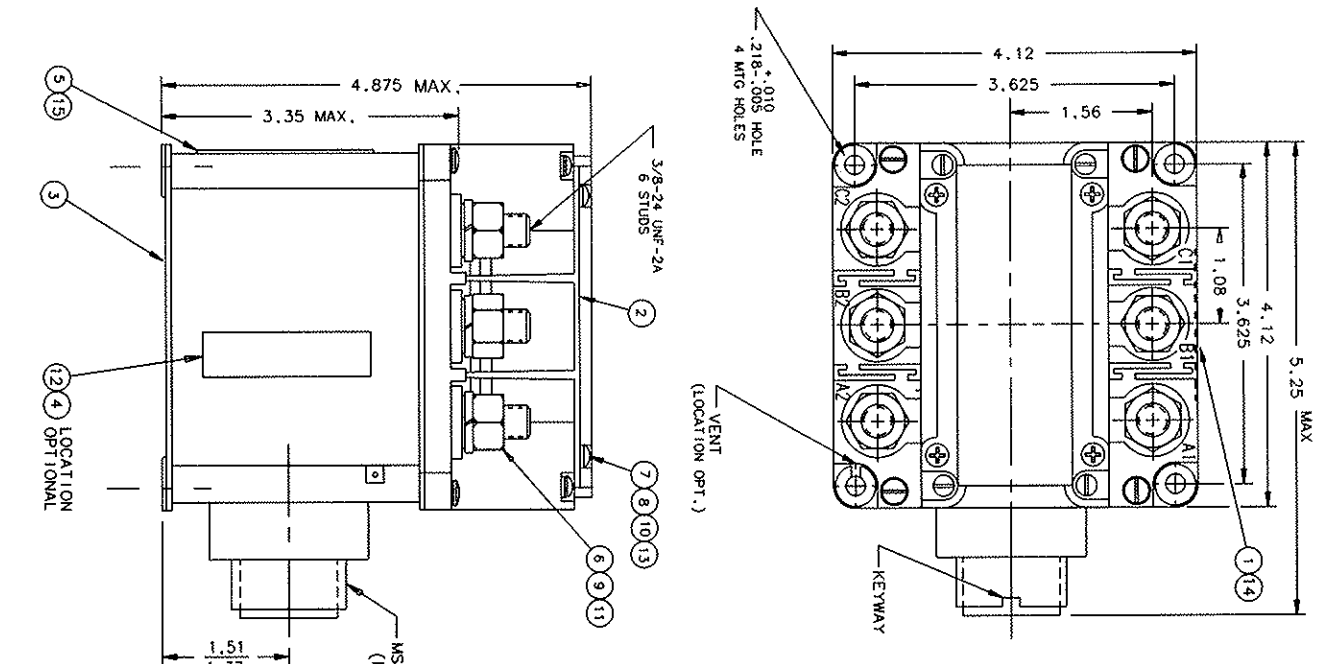
COIL DATA
DUTY CYCLE
OPERATING VOLTAGE
NOMINAL
PICKUP MAX.
DROPOUT
HOLD

ENVIRONMENTAL DATA
OPERATING TEMP.
ALTITUDE
LIFE ELECTRICAL
LIFE MECHANICAL
WEIGHT MAX. (EST)
OPERATE TIMES AT 28 VDC AT 25°C

CONTINUOUS (POWER DOWN)
28 VDC
18 VDC
1-7 VDC
2.7 AMP
.56 AMP

NOTES:
1. TERMINAL COVER ITEM NO. 2 REMOVED FROM TOP VIEW.
2. ITEMS NO. 1 & 5 LOCATION OPTIONAL
3. MOUNTING SURFACE SHALL PROVIDE ELECTRICAL GROUND.
4. THIS UNIT MEETS THE APPLICABLE PORTIONS
OF MIL-R 6106

5. TRANSIENT VOLTAGE LIMITED TO 45 VOLTS MAX.
* 6. AUXS J,K,L & M,N,P. CURRENT .1 AMP RES OR IND AT 28 VDC
7. DIMSSES TO BE JANITX 1000 PIV



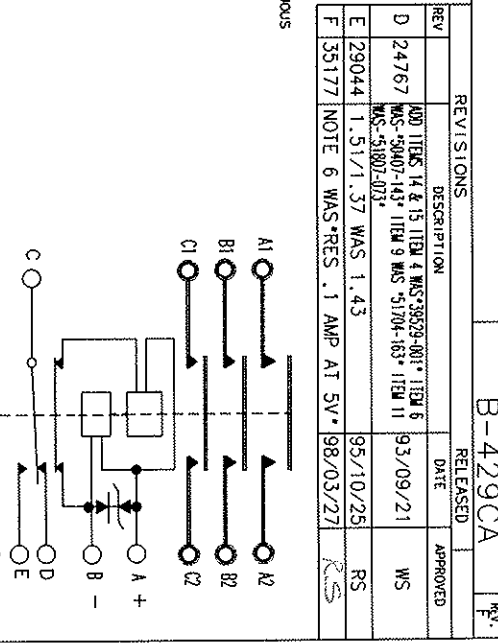
ITEM NO.	QTY	PART OR IDENTIFYING NO.	DESCRIPTION	NON-IDENTIFYING OR DESCRIPTION	FORM NO.	DRAWING OR SPECIFICATION	MATERIAL OR NOTE
15	1	39529-002	OVERLAY				MYLAR
14	1	39529-001	OVERLAY				MYLAR
13	4	51701-180	WASHER 3/16 X .103 X .015				BRASS
12	1	58400-117	PLATE-FAA/PMA				BRASS
11	6	51807-084	WASHER LOCK .575 .687 .094 S.P.				BRASS
10	4	51804-021	WASHER LOCK NO. 4 INT.				BRASS
9	6	51704-024	WASHER 5/8 X 25/64 X .062 FLAT				STEEL
8	4	51701-291	WASHER .250 .113 .015 FLAT				STEEL
7	4	51204-391	SCREW 4-40 X 1/4 BD. HD.				STEEL
6	6	50407-164	NUI-3/8-24 X 5/8 X 7/32 HEX				BRASS
5	1	40820-002	PLATE-WIRING DIAGRAM				
4	1	39529-024	OVERLAY				
3	1	36813-040	CONTACTOR ASSEMBLY-PRIMARY				
2	2	35744-001	COVER-TERMINAL				
1	1	16043-001	PLATE-NAME				

UNLESS OTHERWISE SPECIFIED DIMENSIONS ARE IN INCHES		TOLERANCES UNLESS OTHERWISE SPECIFIED	
2 PL. DEC. 3 PL. DEC. ANGLES	± .06	± .010	± 1°

REF: DOUGLAS MD-111
HARTMAN ELECTRICAL MANUFACTURING MANSFIELD, OHIO
CONTACTOR-3PST N.O.
350 AMP 120/208V 400 HZ

DR BY: RLS 98/04/13
CHK BY: RLS 98/04/13
ENGR: WJL 98/04/13
MFG: WJL 98/04/13
RELEASE: WJL 98/04/13
CONTR. NO.:
COVT APPVL:

SIZE: C
CODE IDENT: 74063
DWG NO.: B-429CA
SCALE: NONE
SHEET: 093



REV	DESCRIPTION	DATE	APPROVED
D 24767	ADD ITEMS 14 & 15 ITEM 4 WAS 39529-001* ITEM 6 WAS 39407-143* ITEM 9 WAS 51704-163* ITEM 11 WAS 51807-073*	93/09/21	WS
E 29044	1.51/1.37 WAS 1.43	95/10/25	RS
F 35177	NOTE 6 WAS *RES .1 AMP AT 5V*	98/03/27	RS

单击下面可查看定价，库存，交付和生命周期等信息

[>>TE Connectivity\(泰科\)](#)