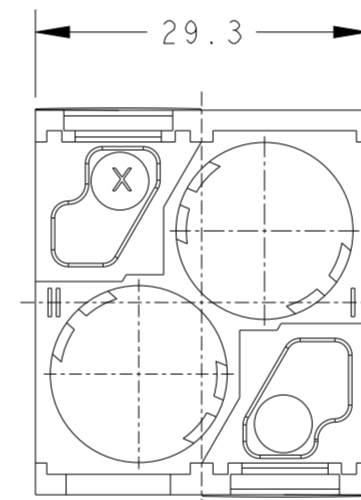
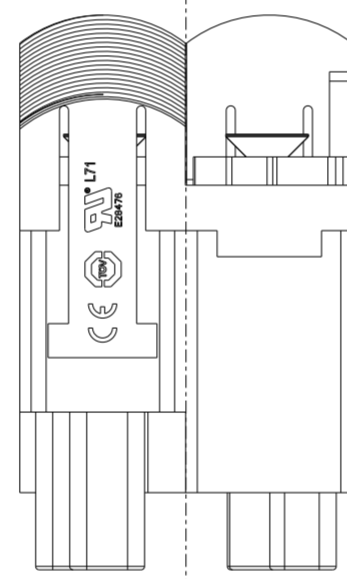
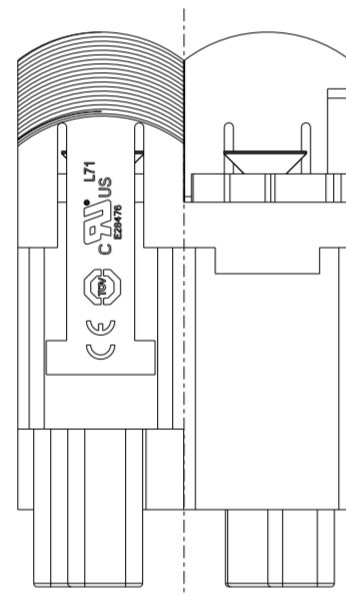
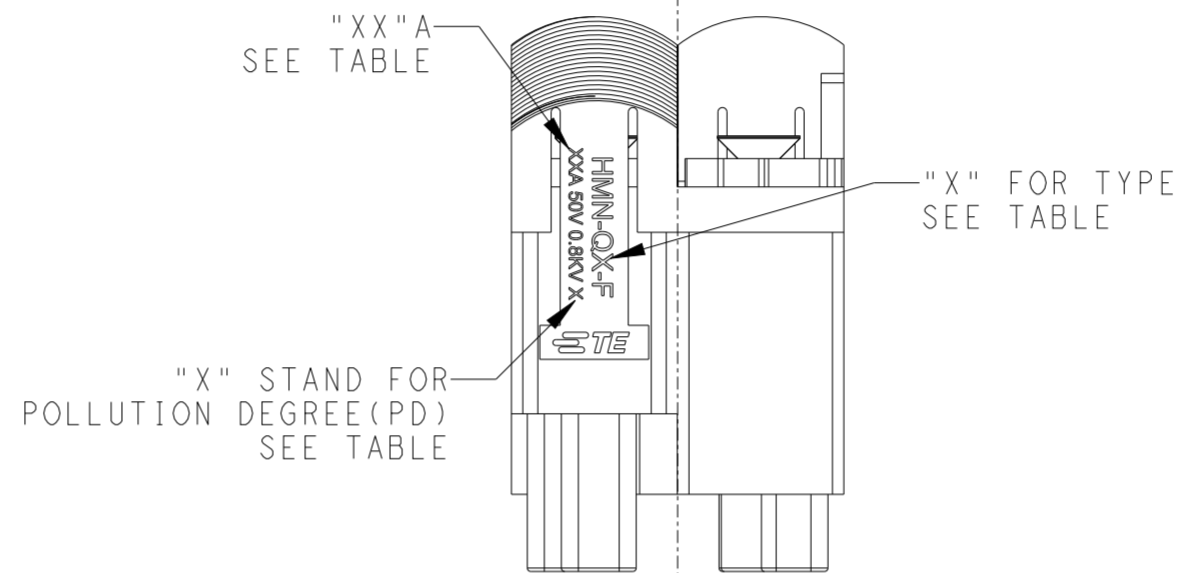
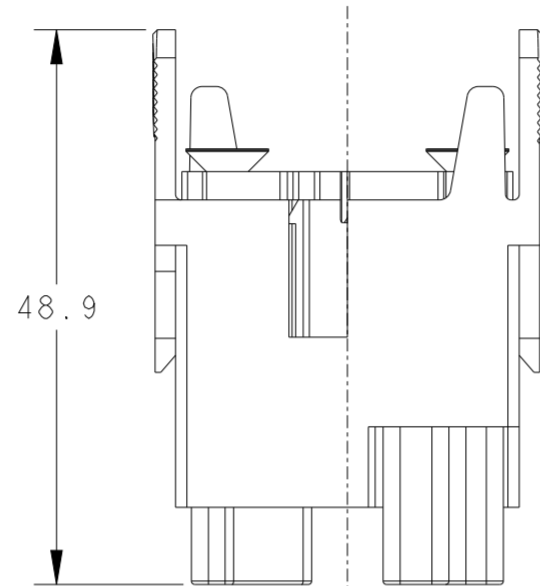
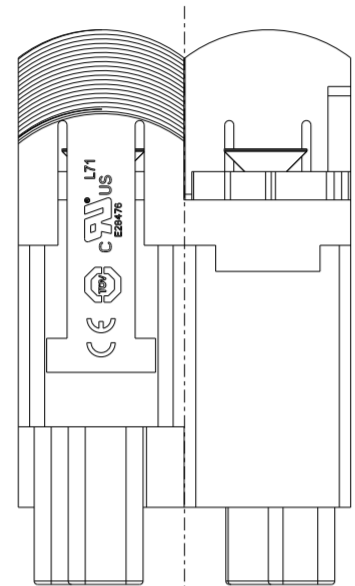
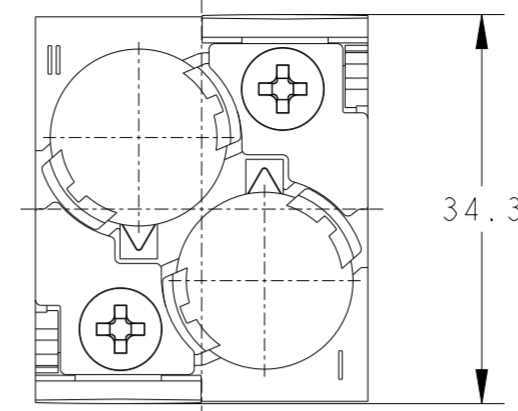
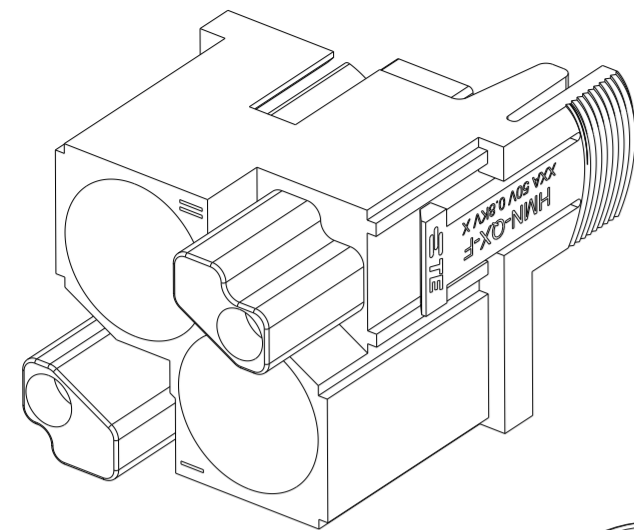


THIS DRAWING IS UNPUBLISHED. RELEASED FOR PUBLICATION 20
 © COPYRIGHT 20 BY - ALL RIGHTS RESERVED.

REVISIONS					
P	LTR	DESCRIPTION	DATE	DWN	APVD
A		INITIAL	22APR2015	DW	CW
B		ECR-15-018270	09DEC2015	DW	CW
B1		ECR-16-006849	13MAY2016	RL	CW
C		ECR-21-122216	03DEC2021	WOR	CW

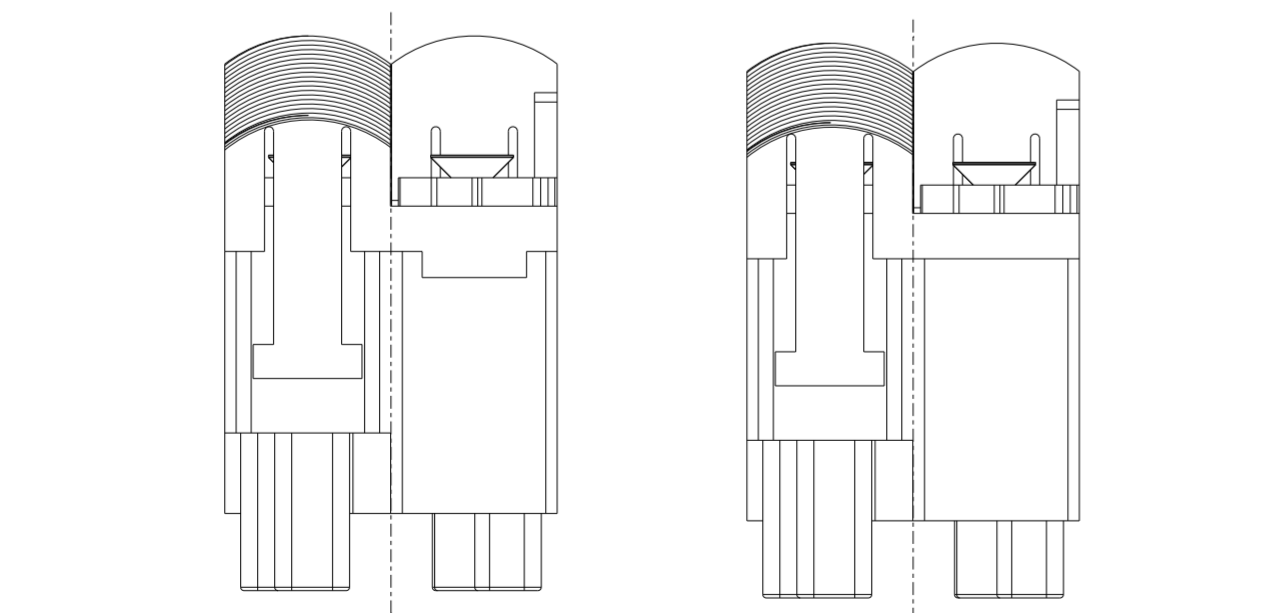


NOTES:
 1. TECHNICAL CHARACTERISTICS:
 INSULATION MATERIAL: PC
 RATED VOLTAGE: 50V
 RATED CURRENT: SEE TABLE
 INSULATION RESISTANCE: >=400MΩ
 RATED IMPULSE VOLTAGE: 0.8KV
 POLLUTION DEGREE: SEE TABLE
 FLAMMABILITY: UL94V-0
 MATING CYCLES: 500 CYCLES
 OPERATION TEMPERATURE: -40~+125°C
 WIRE RANGE: SEE TABLE
 CONTACT TYPE: CRIMP CONTACT
 2. CONTACT NEED TO BE ORDERED SEPARATELY.

注释:
 1. 技术参数:
 绝缘材料: PC
 额定电压: 50V
 额定电流: 见表格
 绝缘电阻: >=400MΩ
 额定脉冲电压: 0.8KV
 污染等级: 见表格
 阻燃等级: UL94V-0
 插拔次数: 500次
 工作温度: -40~+125°C
 接线范围: 见表格
 接线类型: 冷压接
 2. 端子需要单独订购.

T2111027201-000 & T2111027201-001 SHOWN WITH TUV AND CUL MARK
 T2111027201-000 & T2111027201-001 带TUV和CUL激光打标

T2111027201-002 SHOWN WITH TUV AND UL MARK
 T2111027201-002 带TUV和UL激光打标



T2111027201-003 SHOWN WITHOUT LOGO, TUV, UL OR CUL MARK
 T2111027201-003 不带LOGO, TUV, UL和CUL激光打标

T2111027201-003	HMN-Q-F WITHOUT LOGO HMN-Q 模块母插 不带LOGO	-	-	-	WITHOUT LOGO, TUV, UL OR CUL MARK 不带LOGO, TUV, UL和CUL激光打标
T2111027201-002	HMN-Q3-F HMN-Q3模块母插5A	5A	2	0.08~0.52 mm ² (28~20 AWG)	WITH LOGO, TUV AND UL MARK 带LOGO, TUV和UL激光打标
T2111027201-001	HMN-Q2-F HMN-Q2模块母插10A	10A	3	0.14~2.5 mm ² (26~14 AWG)	WITH LOGO, TUV AND CUL MARK 带LOGO, TUV和CUL激光打标
T2111027201-000	HMN-Q1-F HMN-Q1模块母插16A	16A	3	0.14~4 mm ² (26~12 AWG)	WITH LOGO, TUV AND CUL MARK 带LOGO, TUV和CUL激光打标
PART NUMBER 料号	"X" TYPE "X" 产品型号	"XX" A "XX" 电流	"X" PD "X" 污染等级	WIRE GAUGE 线规	REMARK 备注

THIS DRAWING IS A CONTROLLED DOCUMENT.

DIMENSIONS: mm	TOLERANCES UNLESS OTHERWISE SPECIFIED: 0 PLC ± 1 PLC ± 2 PLC ± 3 PLC ± 4 PLC ± ANGLES ± FINISH	DWN David Wang 22APR2015 CHK Chris Wang 22APR2015 APVD Xiang Xu 22APR2015	NAME HMN-Q1/Q2/Q3/Q-F
MATERIAL		PRODUCT SPEC 108-137067	SIZE CAGE CODE DRAWING NO RESTRICTED TO
		APPLICATION SPEC 114-137067	A200779 C-T2111027201000
		WEIGHT	SCALE 1:1 SHEET 1 OF 1 REV C
		CUSTOMER DRAWING	

STE TE Connectivity

单击下面可查看定价，库存，交付和生命周期等信息

[>>TE Connectivity\(泰科\)](#)