

THIS DRAWING IS UNPUBLISHED.

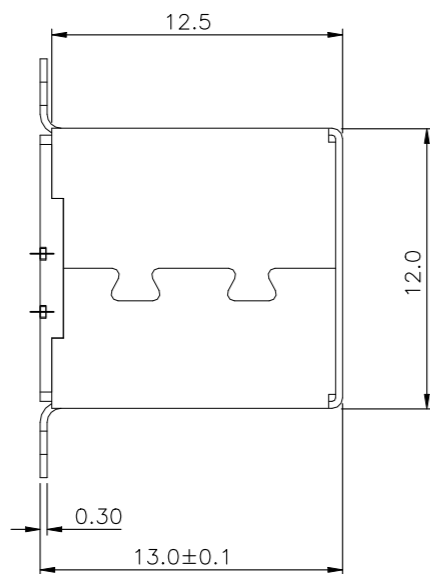
RELEASED FOR PUBLICATION

© COPYRIGHT - TE Connectivity Ltd.

ALL RIGHTS RESERVED.

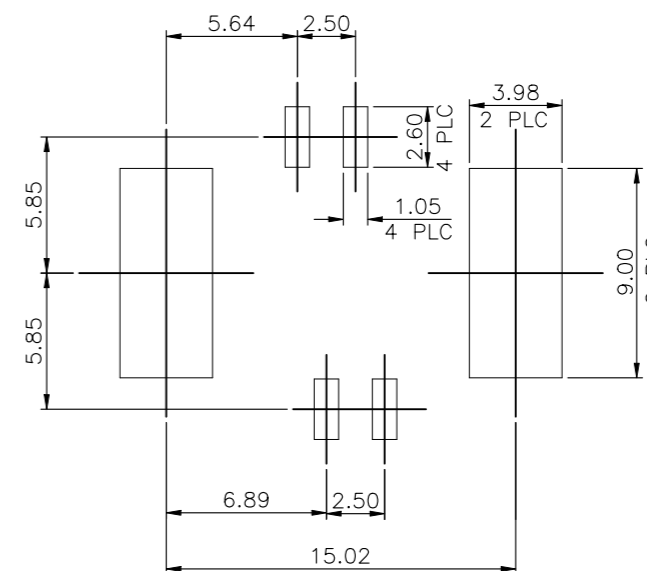
REVISIONS

P	LTR	DESCRIPTION	DATE	DWN	APVD
C		REVISED PER ECO-21-001024	26JUL2021	JY	SZ



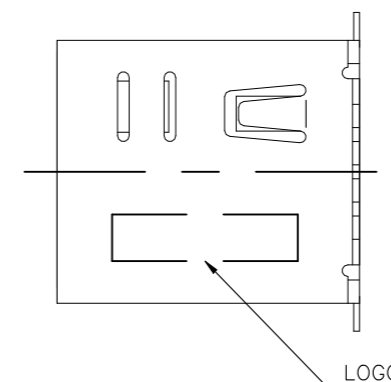
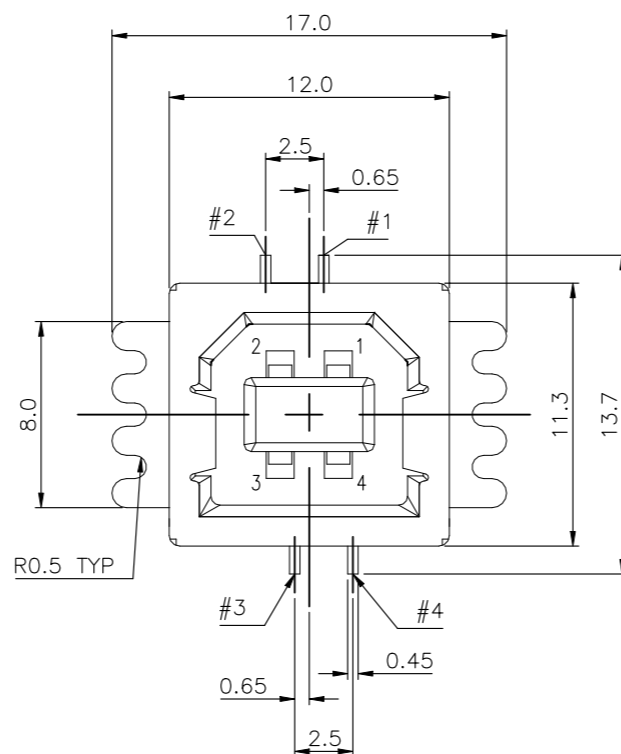
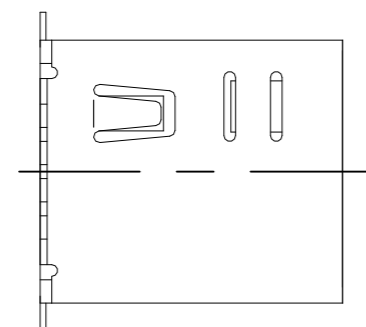
NOTES :

- MATERIAL:**  
HOUSING: THERMOPLASTIC, UL 94V-0, COLOR: BLACK.  
CONTACT: PHOSPHOR BRONZE, THICKNESS=0.25mm.  
SHELL: STAINLESS STEEL, THICKNESS=0.30mm.
- FINISH:**  
CONTACT: GOLD FLASH OVER  
0.762um [30u"] MIN. PALLADIUM-NICKEL PLATING ON CONTACT AREA,  
2.54um [100u"] MIN. MATTE-TIN PLATING ON SOLDER TAILS,  
1.27um [50u"] MIN. NICKEL UNDERPLATED OVER ALL.  
SHELL: 2.54um [100u"] MIN. NICKEL PLATED OVER  
1.27um [50u"] MIN. Cu UNDERPLATED.
- REFLOW SOLDER CAPABLE TO 260°C PER TE SPEC 109-201, CONDITION B.




RECOMMENDED PCB LAYOUT (TOLERANCE: ±0.05)

0.10 ALL SOLDER TAILS AND PEGS

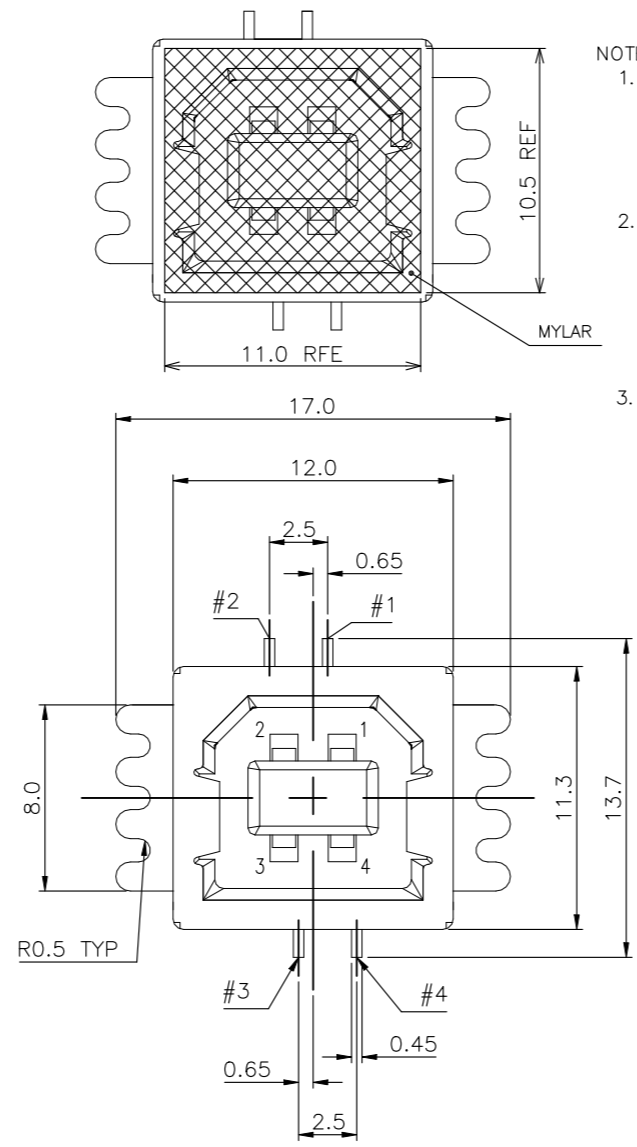
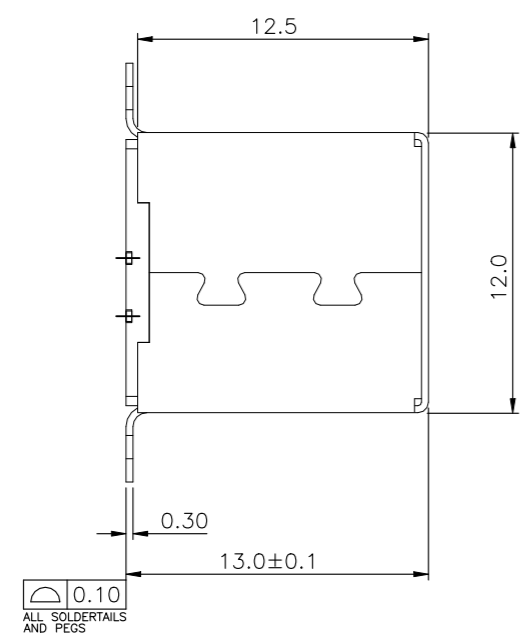


NATURAL	1734517-3
BLACK	1734517-1
H/S COLOR	PART NUMBER

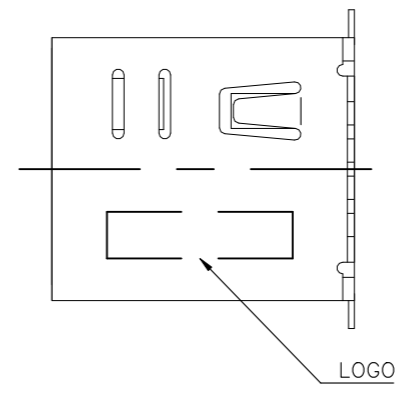
THIS DRAWING IS A CONTROLLED DOCUMENT.		DWN	20MAR2019	 TE Connectivity Ltd.											
DIMENSIONS: mm		CHK	21MAR2019												
TOLERANCES UNLESS OTHERWISE SPECIFIED:		APVD	21MAR2019												
<table border="1"> <tr> <td>0 PLC</td> <td>± 0.38</td> </tr> <tr> <td>1 PLC</td> <td>± 0.25</td> </tr> <tr> <td>2 PLC</td> <td>± 0.13</td> </tr> <tr> <td>3 PLC</td> <td>± 0.05</td> </tr> <tr> <td>4 PLC</td> <td>± -</td> </tr> <tr> <td>ANGLES</td> <td>± 3°</td> </tr> </table>		0 PLC	± 0.38			1 PLC	± 0.25	2 PLC	± 0.13	3 PLC	± 0.05	4 PLC	± -	ANGLES	± 3°
0 PLC	± 0.38														
1 PLC	± 0.25														
2 PLC	± 0.13														
3 PLC	± 0.05														
4 PLC	± -														
ANGLES	± 3°														
MATERIAL		PRODUCT SPEC	108-57538	USB B TYPE, TOP ENTRY, 4 POSITION, SMT TYPE											
FINISH		APPLICATION SPEC	-	SIZE	A3										
-		WEIGHT	-	CAGE CODE	00779										
-		CUSTOMER DRAWING		DRAWING NO	C-1734517										
-		SCALE		N/A	SHEET										
-		SHEET		1 OF 3	REV										
-		REV		C											

THIS DRAWING IS UNPUBLISHED. RELEASED FOR PUBLICATION  
 © COPYRIGHT - TE Connectivity Ltd. ALL RIGHTS RESERVED.

REVISIONS					
P	LTR	DESCRIPTION	DATE	DWN	APVD
-	-	SEE SHEET 1	-	-	-



- NOTES :
- MATERIAL:  
 HOUSING: THERMOPLASTIC, UL 94V-0, COLOR: BLACK.  
 CONTACT: PHOSPHOR BRONZE, THICKNESS=0.25mm.  
 SHELL: STAINLESS STEEL, THICKNESS=0.30mm.  
 MYLAR: POLYIMIDE FILM ADHESIVE TAPE, T=0.35MM  
 (HIGH TEMPERATURE-RESISTANT RANGE: 255°C TO 260°C, 5-10S)
  - FINISH:  
 CONTACT: GOLD FLASH OVER  
 0.762um [30u"] MIN. PALLADIUM-NICKEL PLATING ON CONTACT AREA,  
 2.54um [100u"] MIN. MATTE-TIN PLATING ON SOLDER TAILS,  
 1.27um [50u"] MIN. NICKEL UNDERPLATED OVER ALL.  
 SHELL: 2.54um [100u"] MIN. NICKEL PLATED OVER  
 1.27um [50u"] MIN. Cu UNDERPLATED.
  - REFLOW SOLDER CAPABLE TO 260°C PER TE SPEC 109-201, CONDITION B.



SHOWN AS: 1734517-2

THIS DRAWING IS A CONTROLLED DOCUMENT.		DWN	20MAR2019		<b>STE</b> TE Connectivity Ltd.				
		CHK	21MAR2019						
		APVD	21MAR2019						
		PRODUCT SPEC	S.L.I						
DIMENSIONS: mm		TOLERANCES UNLESS OTHERWISE SPECIFIED:		NAME					
		0 PLC	± 0.38		USB B TYPE, TOP ENTRY, 4 POSITION, SMT TYPE				
		1 PLC	± 0.25						
MATERIAL		2 PLC	± 0.13			SIZE	CAGE CODE	DRAWING NO	RESTRICTED TO
		3 PLC	± 0.05			A3 00779		C=1734517	-
		4 PLC	± -		CUSTOMER DRAWING		SCALE	SHEET	REV
		ANGLES	± 3°		N/A		2 OF 3	C	

THIS DRAWING IS UNPUBLISHED.

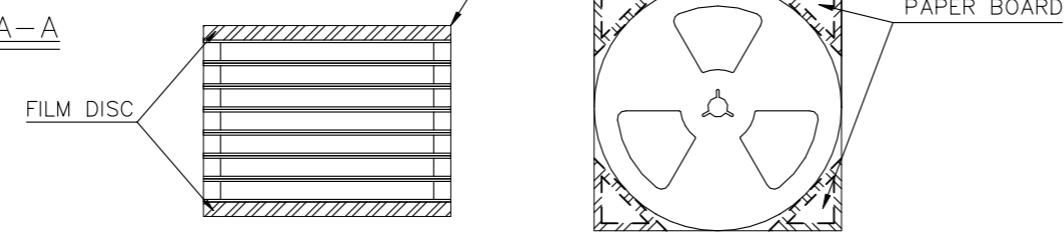
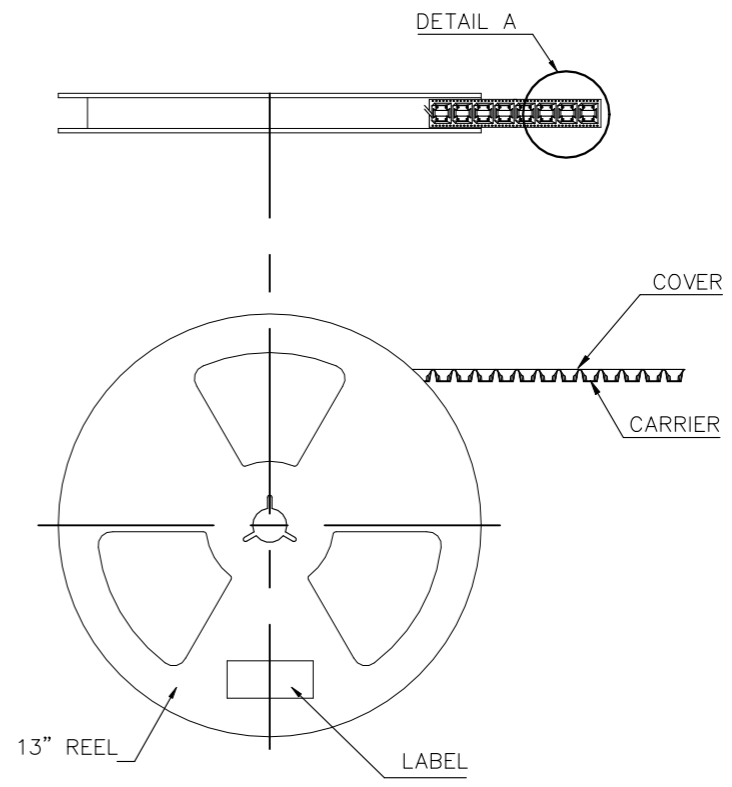
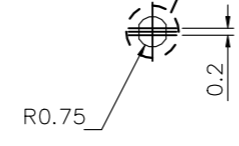
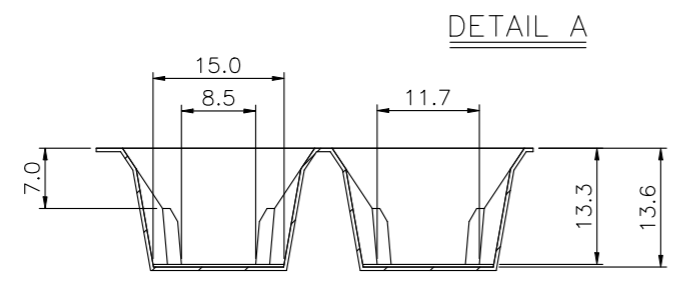
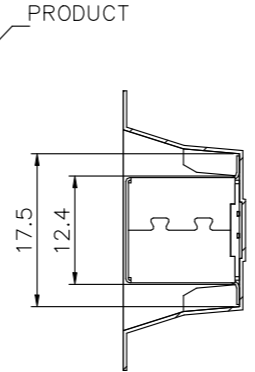
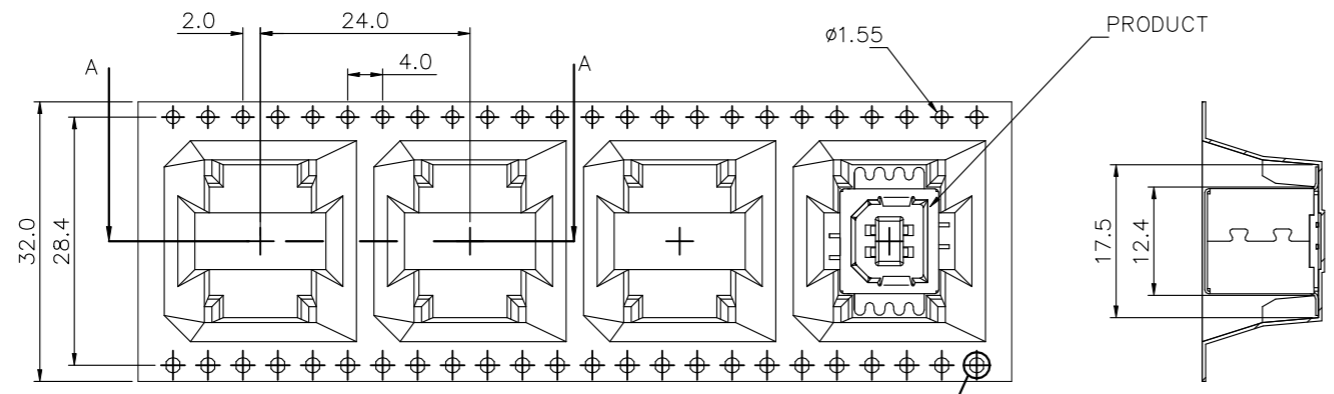
RELEASED FOR PUBLICATION

ALL RIGHTS RESERVED.

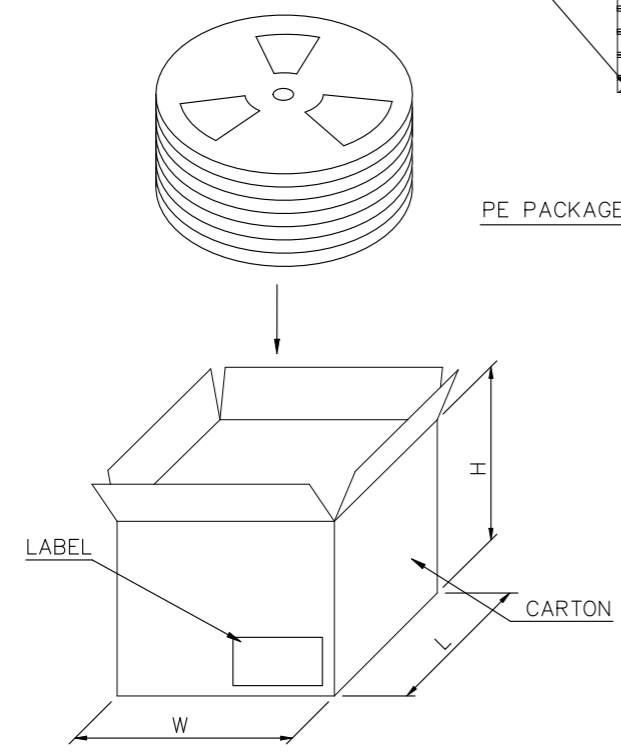
© COPYRIGHT - TE Connectivity Ltd.

REVISIONS

P	LTR	DESCRIPTION	DATE	DWN	APVD
-	-	SEE SHEET 1	-	-	-



PACKING BOX



- NOTES :
- MATERIAL :
    - EMBOSSED CARRIER: PS.
    - COVER: PET.
    - CARTON: K=A.
  - DIMENSION :
    - REEL: W=32.0.
    - CARTON: L=348, W=348, H=340.
  - QUANTITY :
    - PRIMARY PACKING: 200PCS/REEL.
    - SECONDARY PACKING: 8 REEL/CARTON(1,600PCS).
  - WEIGHT :
    - NET WEIGHT: 8.0kg/CARTON.
    - GROSS WEIGHT: 9.0kg/CARTON.
  - PEELING RESISTANCE: 10g~130g.

THIS DRAWING IS A CONTROLLED DOCUMENT.		DWN	20MAR2019	<b>STE</b> TE Connectivity Ltd.	
		CHK	21MAR2019		
DIMENSIONS: mm		APVD	21MAR2019	NAME	
TOLERANCES UNLESS OTHERWISE SPECIFIED:		PRODUCT SPEC		USB B TYPE, TOP ENTRY, 4 POSITION, SMT TYPE	
0 PLC ± 0.38		108-57538		-	
1 PLC ± 0.25		APPLICATION SPEC		-	
2 PLC ± 0.13		SIZE	A3	CAGE CODE	00779
3 PLC ± 0.05		DRAWING NO	C=1734517		RESTRICTED TO
4 PLC ± -		WEIGHT	-		-
ANGLES ± 3°		CUSTOMER DRAWING			
MATERIAL -		SCALE		N/A	SHEET
FINISH -		3 OF 3		REV	C

单击下面可查看定价，库存，交付和生命周期等信息

[>>TE Connectivity\(泰科\)](#)