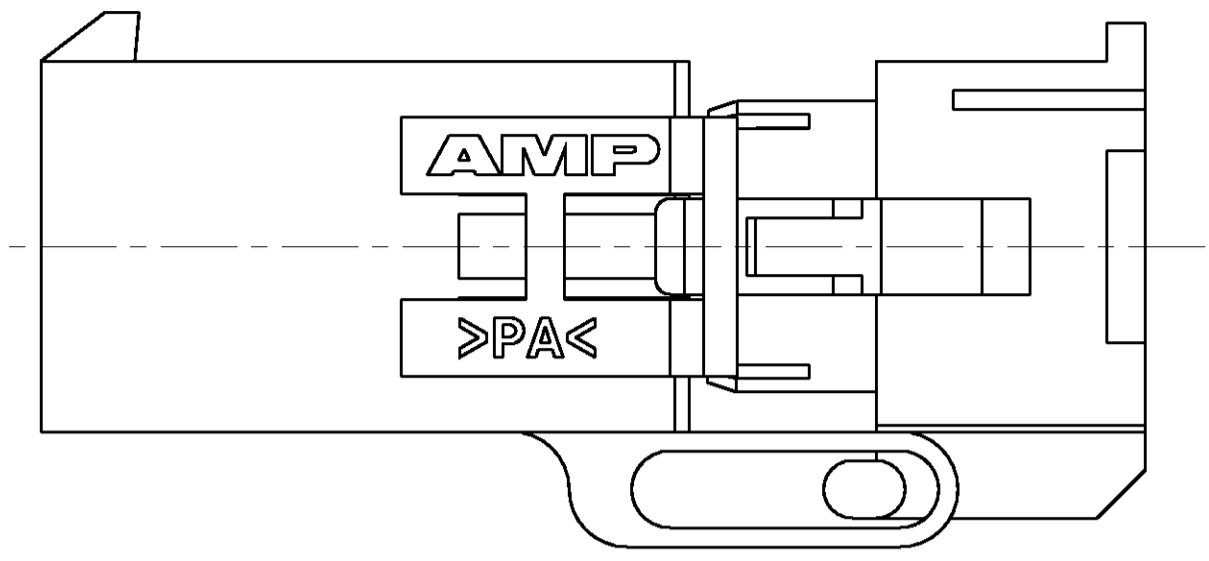
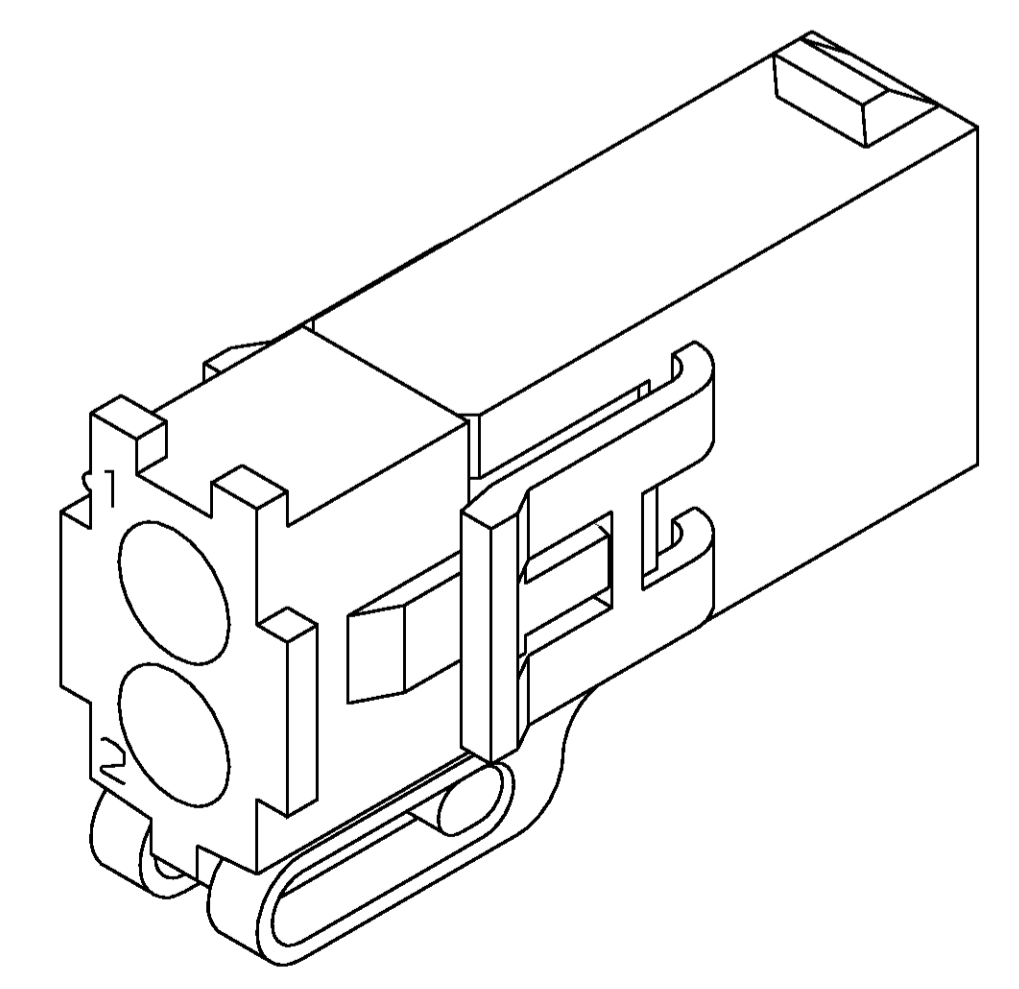
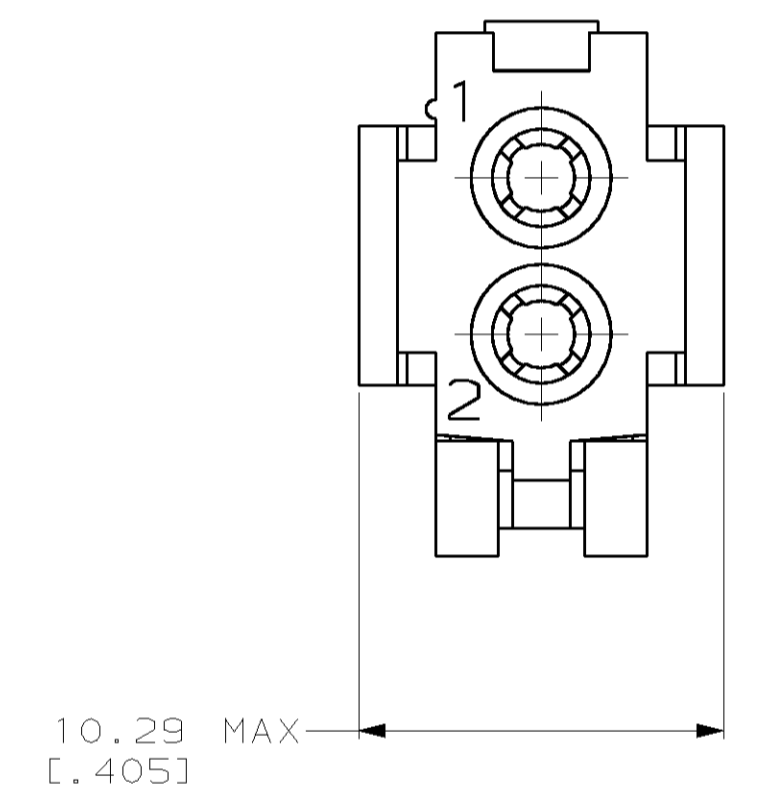
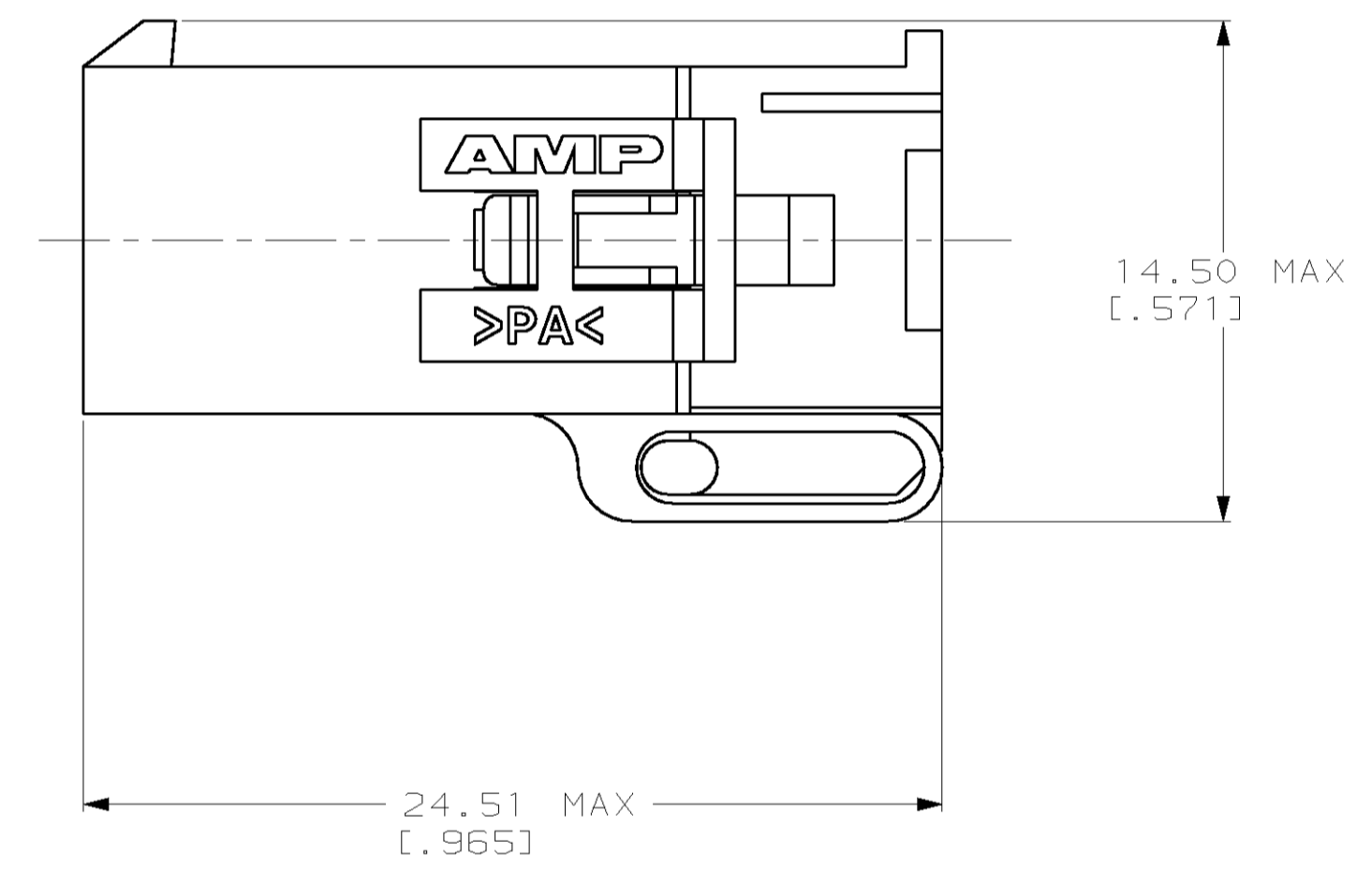
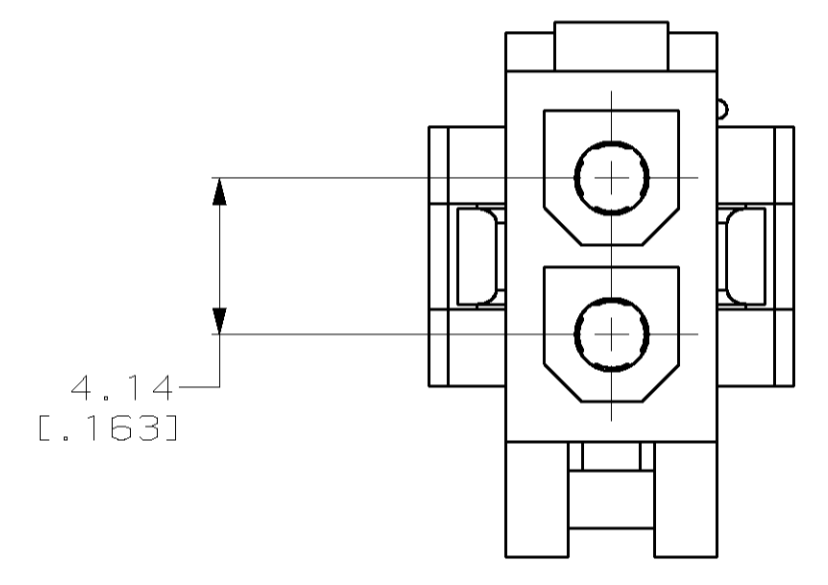


LOC		DIST		REVISIONS			
FR	LYR	DESCRIPTION	DATE	DWN	APVD		
D		REVISED PER EC 063B-0375-03	06-JUN-03	KW	CJ		



PRE-STAGED CONDITION

1. DIMENSIONS IN BRACKETS ARE IN INCHES.



3-DIMENSIONAL MODEL  
NTS

794238-1  
PART NUMBER



THIS DRAWING IS A CONTROLLED DOCUMENT.		DWN K. WHITAKER 5-09-97	AMP Incorporated Harrisburg, PA 17105-3608
		CHK R. SWING 5-09-97	
		APP'D E. ORSTAD 5-09-97	NAME CAP, 2 CIRCUIT, MINI UNIVERSAL MATE-N-LOK™ 2
DIMENSIONS:		PRODUCT SPEC	
mm	TOLERANCES UNLESS OTHERWISE SPECIFIED:	APPLICATION SPEC	
	0 PLC ±.01	SIZE CAGE CODE DRAWING NO	
	1 PLC ±.01	A1 00779 C-794238	
	2 PLC ±0.13 (.0051)	RESTRICTED TO	
	3 PLC ±.01	CUSTOMER DRAWING	
	4 PLC ±.01	SCALE 5:1 SHEET 1 OF 1 REV D	
	ANGLES ±.0°/30°		
MATERIAL NYLON, JL 94V-2, NATURAL	FINISH -	WEIGHT -	

单击下面可查看定价，库存，交付和生命周期等信息

[>>TE Connectivity\(泰科\)](#)