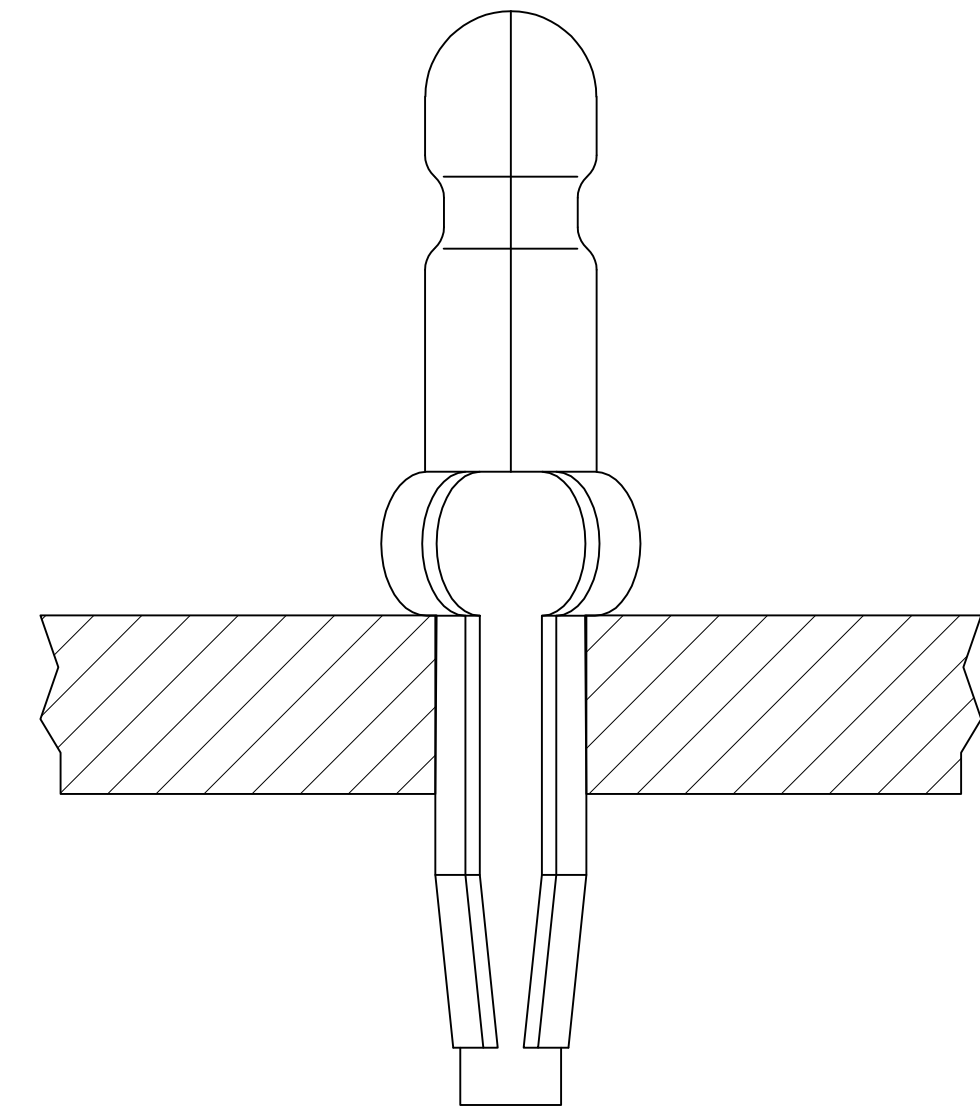
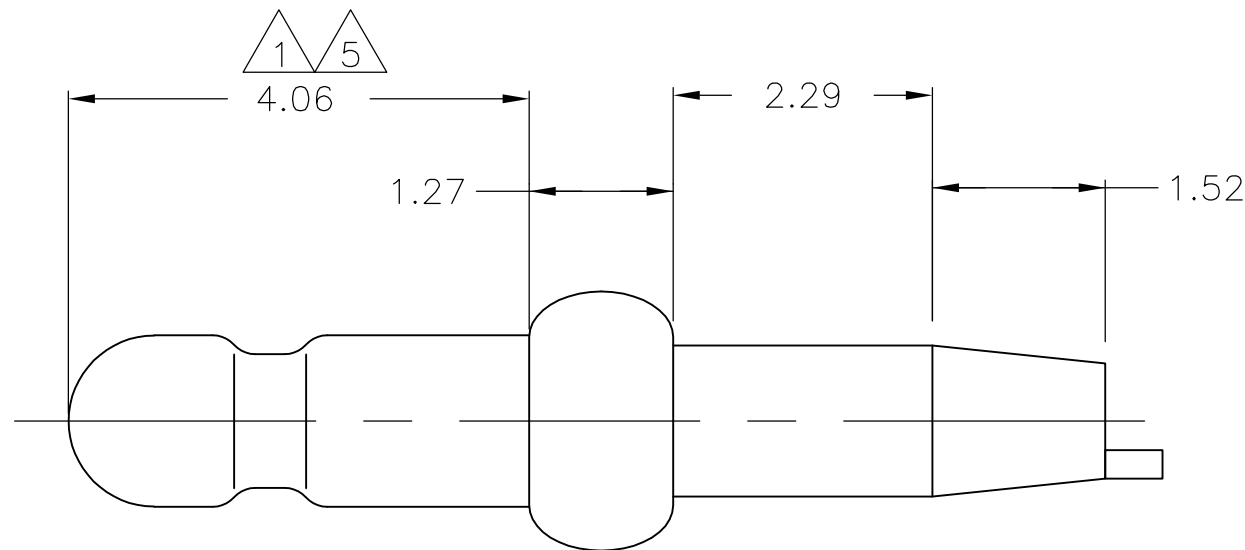
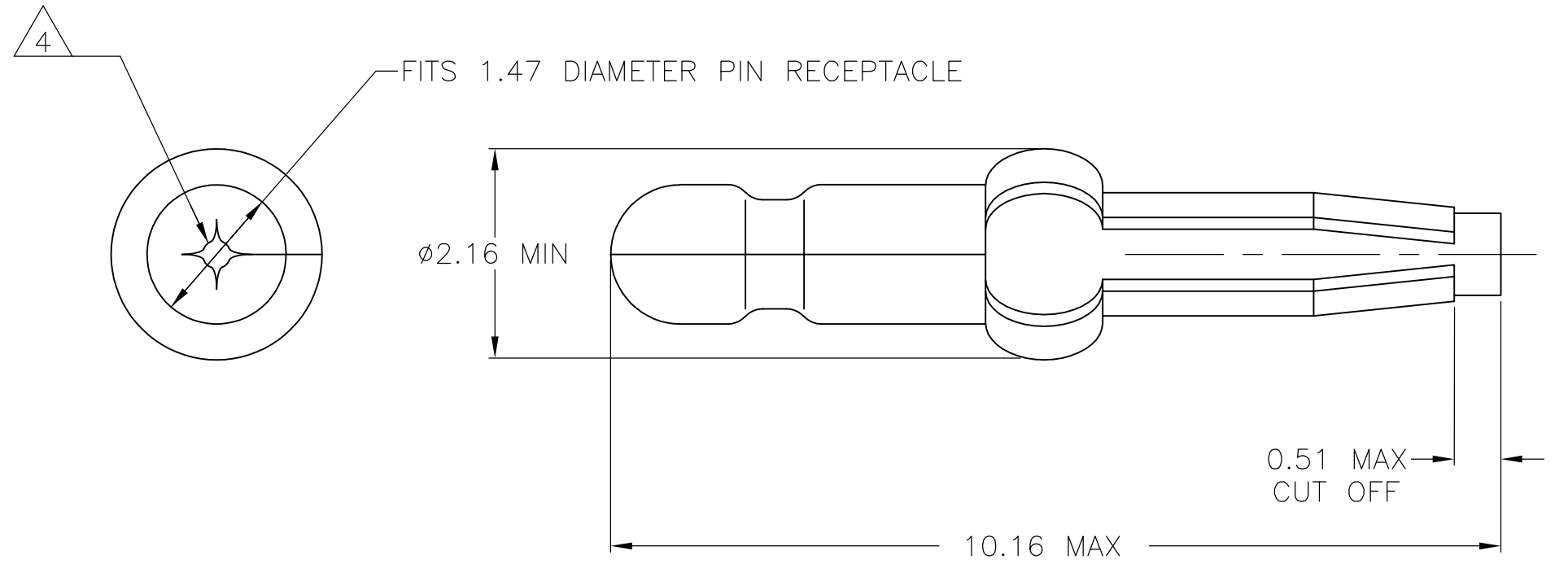


THIS DRAWING IS UNPUBLISHED. RELEASED FOR PUBLICATION
 © COPYRIGHT - By - ALL RIGHTS RESERVED.

LOC		DIST		REVISIONS			
P	LTR	DESCRIPTION		DATE	DWN	APVD	
CM	0	N2		REVISED PER ECR-15-015654	27JAN2016	BW	CJ



- 1 0.00076 MIN GOLD PLATING IN THIS AREA WITH 0.00381 MIN MATTE TIN LEAD ON THE REMAINDER, BOTH OVER 0.00127 MIN NICKEL UNDERPLATE.
- 2 FITS 1.17 - 1.27 DIAMETER HOLE IN A 1.57 OR 2.39 PRINTED CIRCUIT BOARD.
- 3 PARTS TO COMPLY WITH AMP SOLDERABILITY SPECIFICATION 109-11-3.
- 4 0.05-0.25 DIAMETER OPENING REQUIRED IN TIP OF PIN.
- 5 0.00076 MIN GOLD PLATING IN THIS AREA WITH 0.00381 MIN MATTE TIN ON THE REMAINDER, BOTH OVER 0.00127 MIN NICKEL UNDERPLATE.

5	3-61067-1
1	61067-1
FINISH	PART NUMBER

0.13	.005	1.27	.050	2.29	.090	-	-
0.05	.002	1.17	.046	2.16	.085	-	-
0.00381	.000150	1.02	.040	1.57	.062	10.16	.400
0.00127	.000050	0.51	.020	1.52	.060	4.06	.160
0.00076	.000030	0.25	.010	1.47	.058	2.39	.094
MM	IN	MM	IN	MM	IN	MM	IN

CONVERSION TABLE

THIS DRAWING IS A CONTROLLED DOCUMENT.		DWN	T. BECK	8-22-97	 TE Connectivity
DIMENSIONS: mm		CHK	R. SWING	8-22-97	
TOLERANCES UNLESS OTHERWISE SPECIFIED:		APVD	A. BEDDICK	9-10-97	
0 PLC ± - 1 PLC ± - 2 PLC ± 0.13 3 PLC ± - 4 PLC ± - ANGLES ± -		PRODUCT SPEC	108-1025		
MATERIAL: 0.25 PH BRZ		FINISH	SEE TABLE	APPLICATION SPEC	114-1008
		WEIGHT	-	SIZE	A2
		CUSTOMER DRAWING		CAGE CODE	00779
		SCALE	15:1	DRAWING NO	C-61067
		SHEET	1 of 1	RESTRICTED TO	-
		REV	N2		

单击下面可查看定价，库存，交付和生命周期等信息

[>>TE Connectivity\(泰科\)](#)