

®

# Thermofit Molded Parts

## Specification Control Drawing

### Limited Distribution

Part Number : 462A423-X-08  
 Description : Slimline Transition, 4 Entry

**NOTES**

1. All dimensions are in  $\frac{\text{inches}}{\text{[millimeters]}}$
2. Dimensions appearing in table are as follows:
  - a - As Supplied
  - b - After Unrestricted Recovery
3. Coating is optional. As supplied dimensions appearing in table are for uncoated parts. When coating is added, entry diameters will be reduced by .06 max.

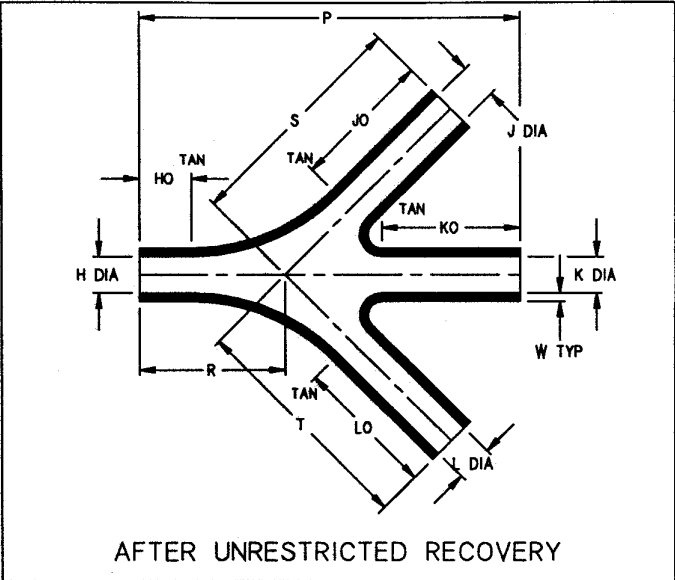
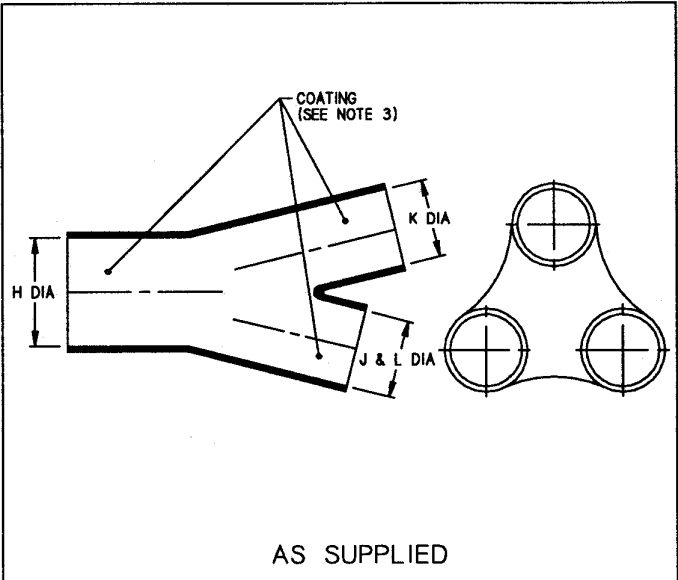


TABLE OF DIMENSIONS										
PART NUMBER	H		J, K & L		JO, KO & LO	W	P	S & T	R	HO
	Min	Max	Min	Max	Non	Nom	±10%	Nom	Nom	Nom
	a	b	a	b	b	b	b	b	b	b
462A423-X-08	<u>2.37</u> [60.2]	<u>.79</u> [20.1]	<u>1.42</u> [36.1]	<u>.79</u> [20.1]	<u>2.50</u> [63.5]	<u>.06</u> [1.5]	<u>6.16</u> [156.5]	<u>4.08</u> [103.6]	<u>2.08</u> [52.8]	<u>.50</u> [12.7]

If this document is printed it becomes uncontrolled.  
 Check for the latest revision.

**Raychem**  
 RAYCHEM CORPORATION  
 300 CONSTITUTION DRIVE  
 MENLO PARK, CALIFORNIA 94025

Revision : A  
 Date : 4/6/95

Part Number : 462A423-X-08  
 Description : Slimline Transition, 4 Entry

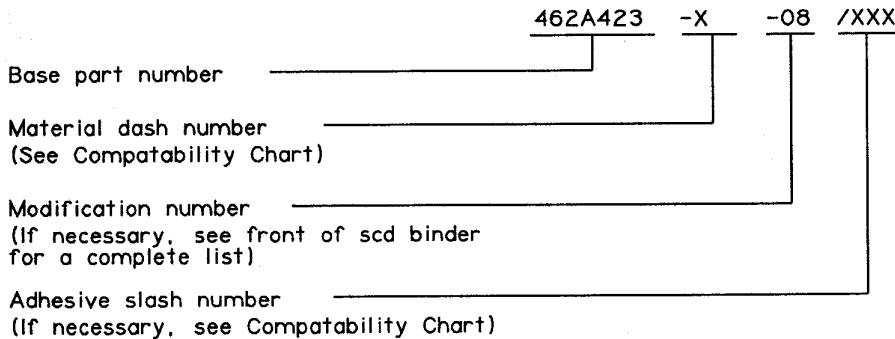
ORIGINAL DOCUMENT

Thermofit<sup>®</sup> Molded Parts  
 Specification Control Drawing  
 Limited Distribution

Part Number : 462A423-X-08  
 Description : Slimline Transition, 4 Entry

COMPATABILITY CHART					
MATERIAL DASH NO.	MATERIAL DESCRIPTION	RT SPEC	COATING SLASH NO.	COATING S NO.	COATING DESCRIPTION
-71	Flexible, Polyolefin	RT-1316	/42	S-1017	Adhesive

ORDERING INFORMATION



THIS DRAWING IS SUBJECT TO CHANGE WITHOUT NOTICE: CONSULT YOUR  
 NEAREST FIELD REPRESENTATIVE FOR CURRENT REVISION

**If this document is printed it becomes uncontrolled.  
 Check for the latest revision.**

**Raychem**  
 RAYCHEM CORPORATION  
 300 CONSTITUTION DRIVE  
 MENLO PARK, CALIFORNIA 94025

Revision : A  
 Date : 4/6/95

Part Number : 462A423-X-08  
 Description : Slimline Transition, 4 Entry

CAD FILE MP95163

**ORIGINAL DOCUMENT**

单击下面可查看定价，库存，交付和生命周期等信息

[>>TE Connectivity\(泰科\)](#)