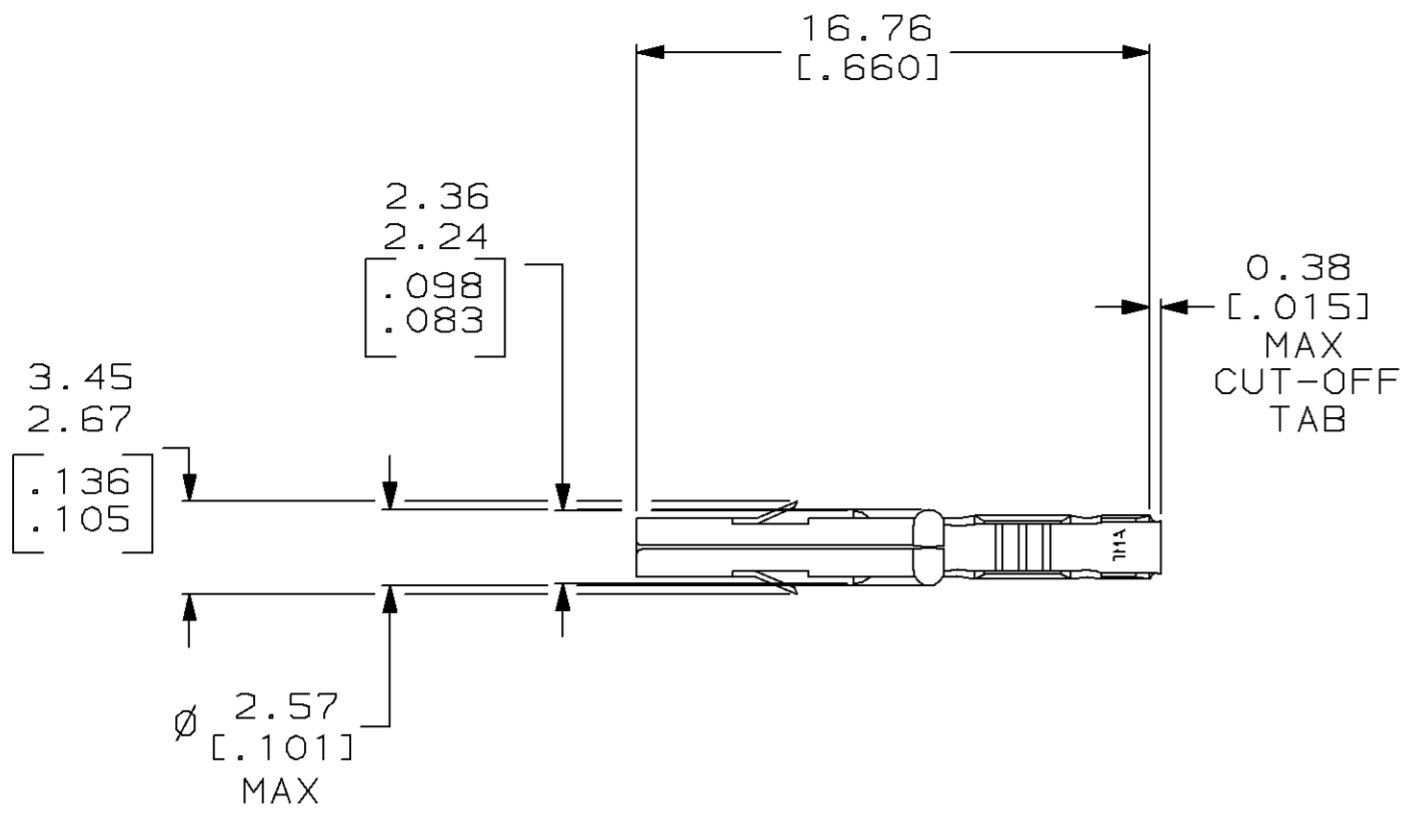
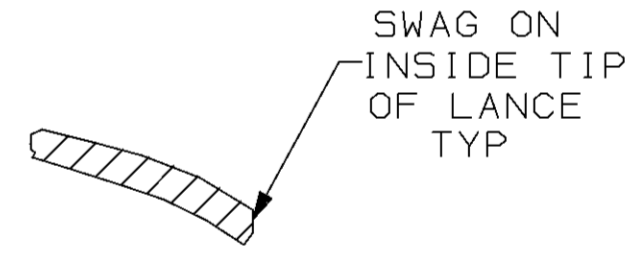
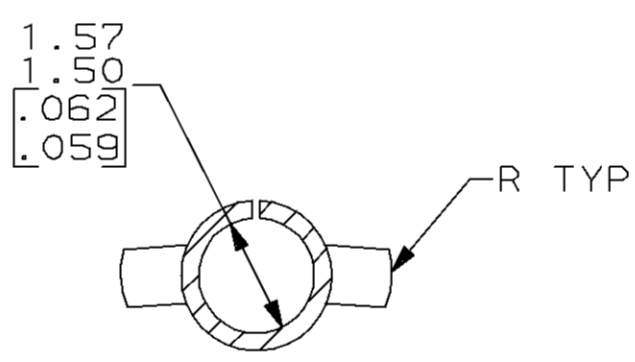
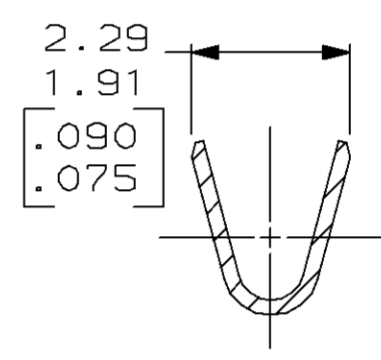
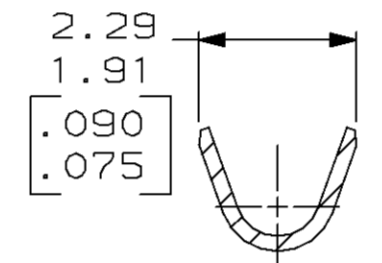
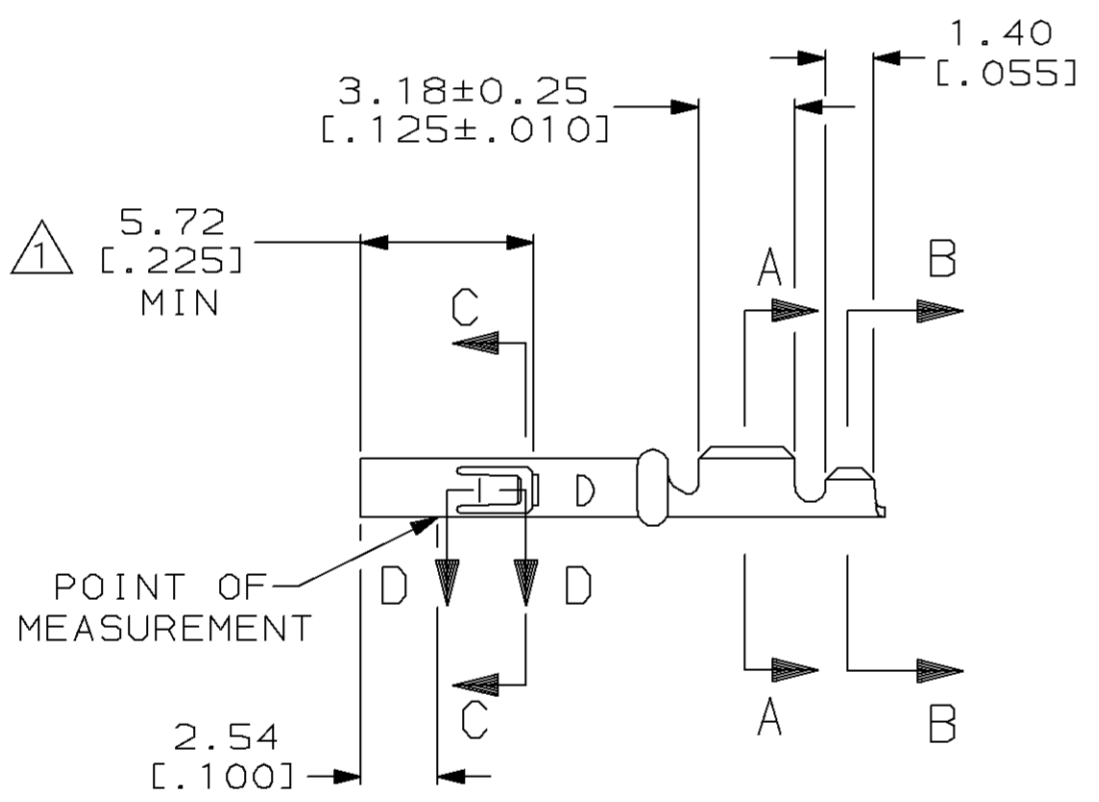


| LOC | | DIST | | ZONE | | LTR | | REVISIONS | | DATE | APPD |
|-----|----|------|---|------|--|-----|--|-----------|----------------------|--------|------|
| CM | 53 | P | F | | | | | 0 | RLSD PER PR CM 93-25 | 3-4-93 | KS |



- 1. PLATED INTERNALLY WITH 0.00076 [.000030] GOLD, GOLD FLASH ON THE REMAINDER, OVER 0.00127 [.000050] NICKEL.
- 2. THIS CONTACT MATES WITH MR LIVE SPLIT PIN ONLY.
- 3. DIMENSIONS IN BRACKETS ARE IN INCHES.



METRIC

THIS DRAWING IS A CONTROLLED DOCUMENT FOR AMP INCORPORATED. IT IS SUBJECT TO CHANGE AND THE CONTROLLING ENGINEERING ORGANIZATION SHOULD BE CONTACTED FOR THE LATEST REVISION.

| | | FINISH | MATERIAL | PART NO |
|---|--|--|--------------------|--------------|
| | | GOLD Δ | 0.20 [.008] PH BRZ | 794001-2 |
| | | PRE-TIN | 0.20 [.008] PH BRZ | 794001-1 |
| DO NOT SCALE PRINT. UNLESS SPECIFIED DIMENSIONS IN mm [INCHES] TOLERANCES ON: | | DR 3-4-93 K. SALMON CHK 3-4-93 R. SWING APPD 3-4-93 J. ANDREW APPD 3-4-93 J. ANDREW PRODUCT SPEC - APPLICATION SPEC - WEIGHT - | | |
| SEE TABLE | | AMP AMP Incorporated Harrisburg, PA 17105-3608 NAME RECEPTACLE, LOOSE PIECE, MR | | |
| SEE TABLE | | SIZE | CAGE CODE | DRAWING NO |
| | | © | 00779 | ©=794001 |
| | | SCALE | 4:1 | SHEET 1 OF 1 |

CUSTOMER DRAWING

单击下面可查看定价，库存，交付和生命周期等信息

[>>TE Connectivity\(泰科\)](#)