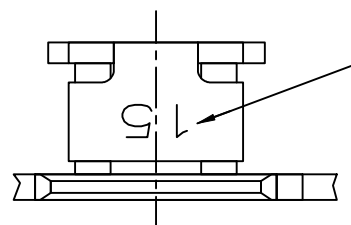
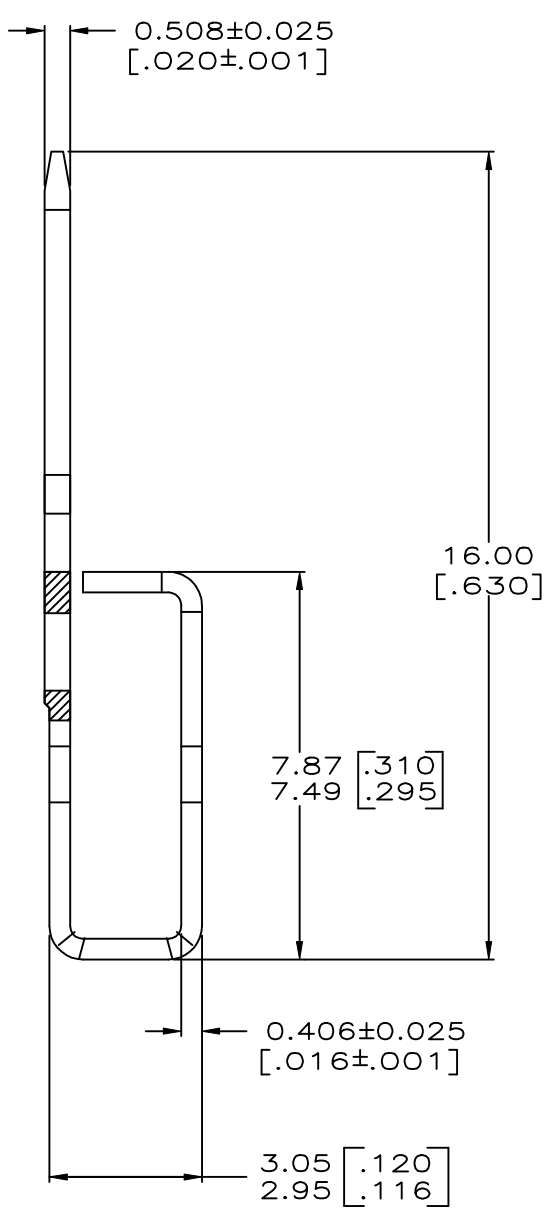
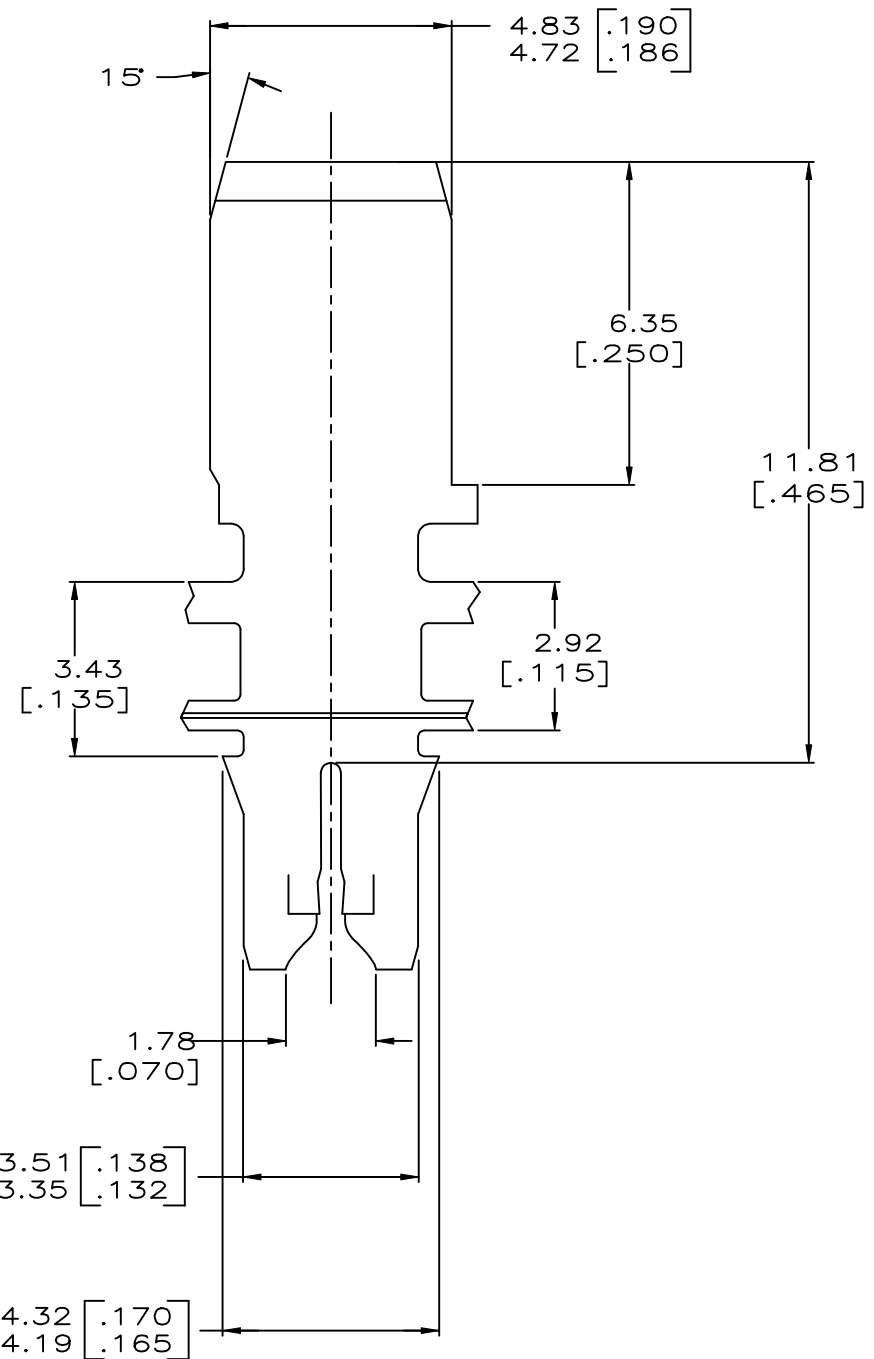


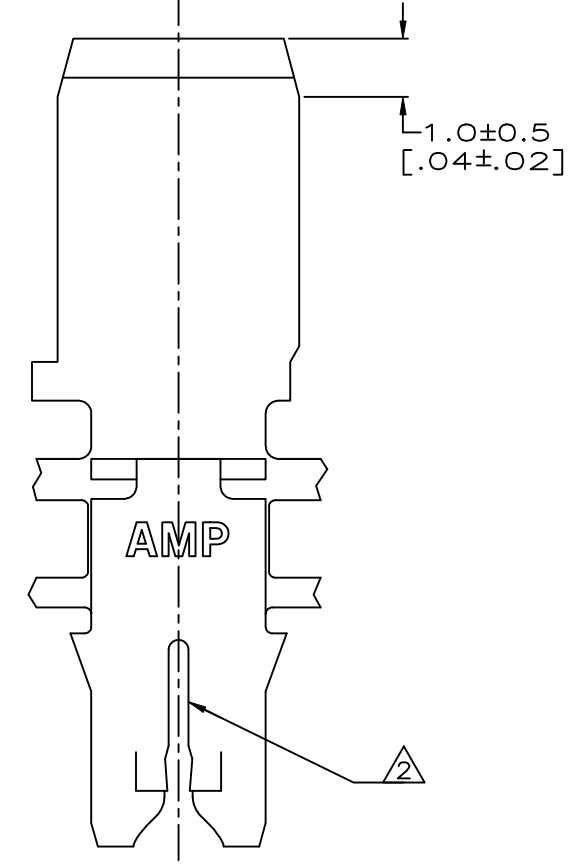
LOC		DIST		ZONE		LTR		REVISIONS		DATE	APPD
AF	50	P	F					D1	REVISED PER ECR-18-006427	14MAY2018	BW/SV



IDENTIFICATION NUMBER 15 FOR MAGNET WIRE RANGE



- 1 CONTINUOUS STRIP ON REELS WITH TERMINALS LOCATED ON 5.59±0.08 [.220±.003] CENTERS.
- 2 SLOT TERMINATES A SINGLE MAGNET WIRE ONLY. COPPER RANGE: 0.57-0.81mm [#23-#20] AWG ALUMINIUM RANGE: 0.72-0.91mm [#21-#19] AWG ALUMINIUM WIRE RANGE IS APPLICABLE FOR POST TIN PLATED PART NOS ONLY.
- 3 AFTER INSERTION INTO PLASTIC HOLDER TAB PORTION MUST BE BENT OVER 45° TO 90° OR POTTED-IN TO PREVENT PULL-OUT WHEN MATING RECEPTACLE IS DISCONNECTED.
- 4 SPECIAL LABELING.



PRELIMINARY - NOT FOR PRODUCTION.

4	5	63776-2
		63776-1
PART NO		

DO NOT SCALE PRINT. UNLESS SPECIFIED DIMENSIONS IN mm [INCHES] TOLERANCES ON : 2 PLC DEC ± 0.25 [.010] 3 PLC DEC ± - ANGLES ± -	DR 04/FEB/94 MICHAEL S. FEHER	STE TE CONNECTIVITY	
	CHK 09/FEB/94 PHILLIP M. FORTNEY		
MATERIAL 4M PRE-MILLED BRASS	APPD 09/FEB/94 KURT A. RANDOLPH	NAME TERMINAL, TAB, 4.75 [.187] FASTON™ MAG-MATE™	
	APPD 09/FEB/94 TERRY L. SHUTTER	PRODUCT SPEC 108-2012	
FINISH 0.002032 [.000080] MIN TIN PER MIL-T-10727	APPLICATION SPEC 114-2046	SIZE C	CAGE CODE 00779
	WEIGHT	DRAWING NO C=63776	REV D1
		SCALE 10:1	SHEET 10F 1

THIS DRAWING IS A CONTROLLED DOCUMENT FOR AMP INCORPORATED. IT IS SUBJECT TO CHANGE AND THE CONTROLLING ENGINEERING ORGANIZATION SHOULD BE CONTACTED FOR THE LATEST REVISION.

单击下面可查看定价，库存，交付和生命周期等信息

[>>TE Connectivity\(泰科\)](#)