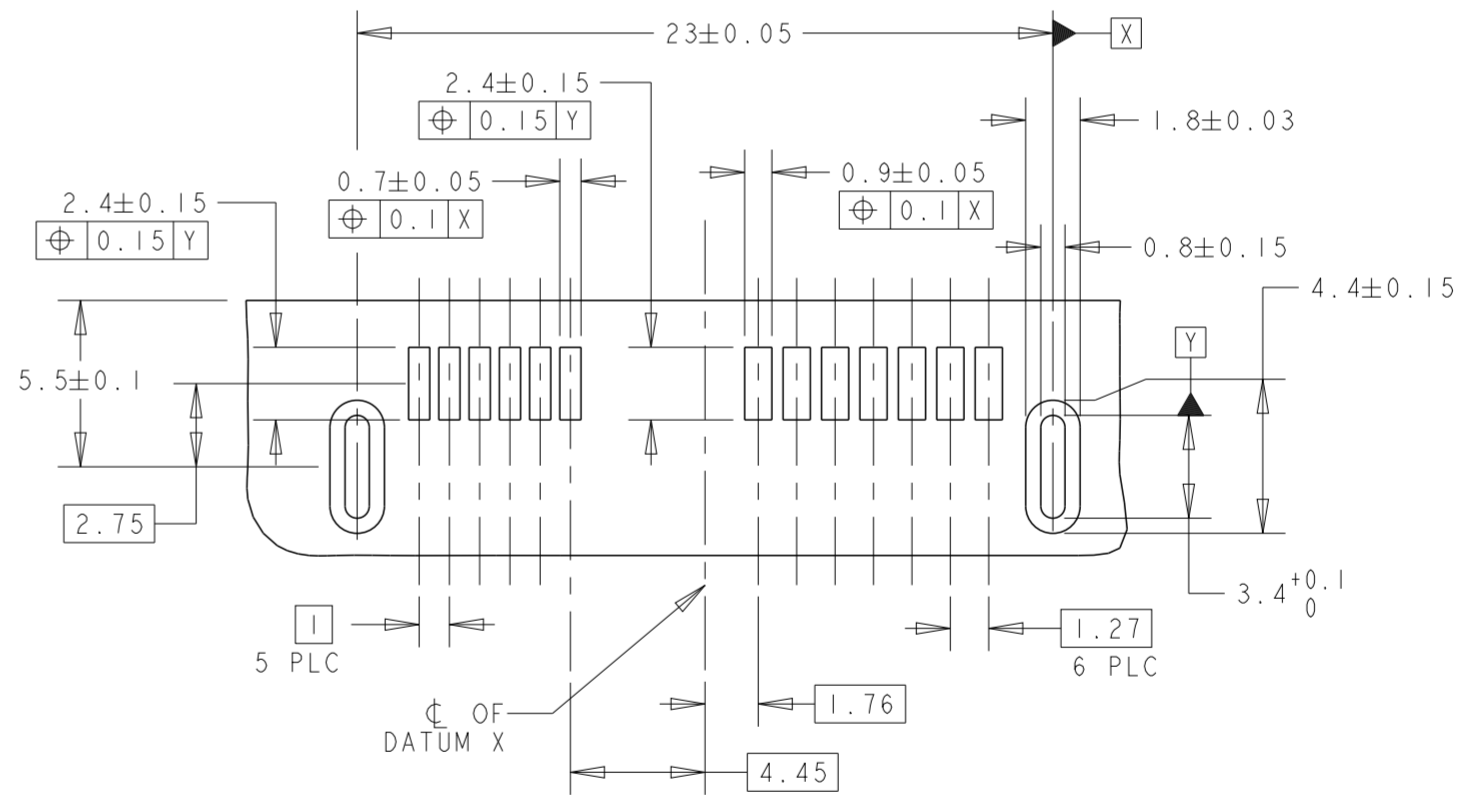
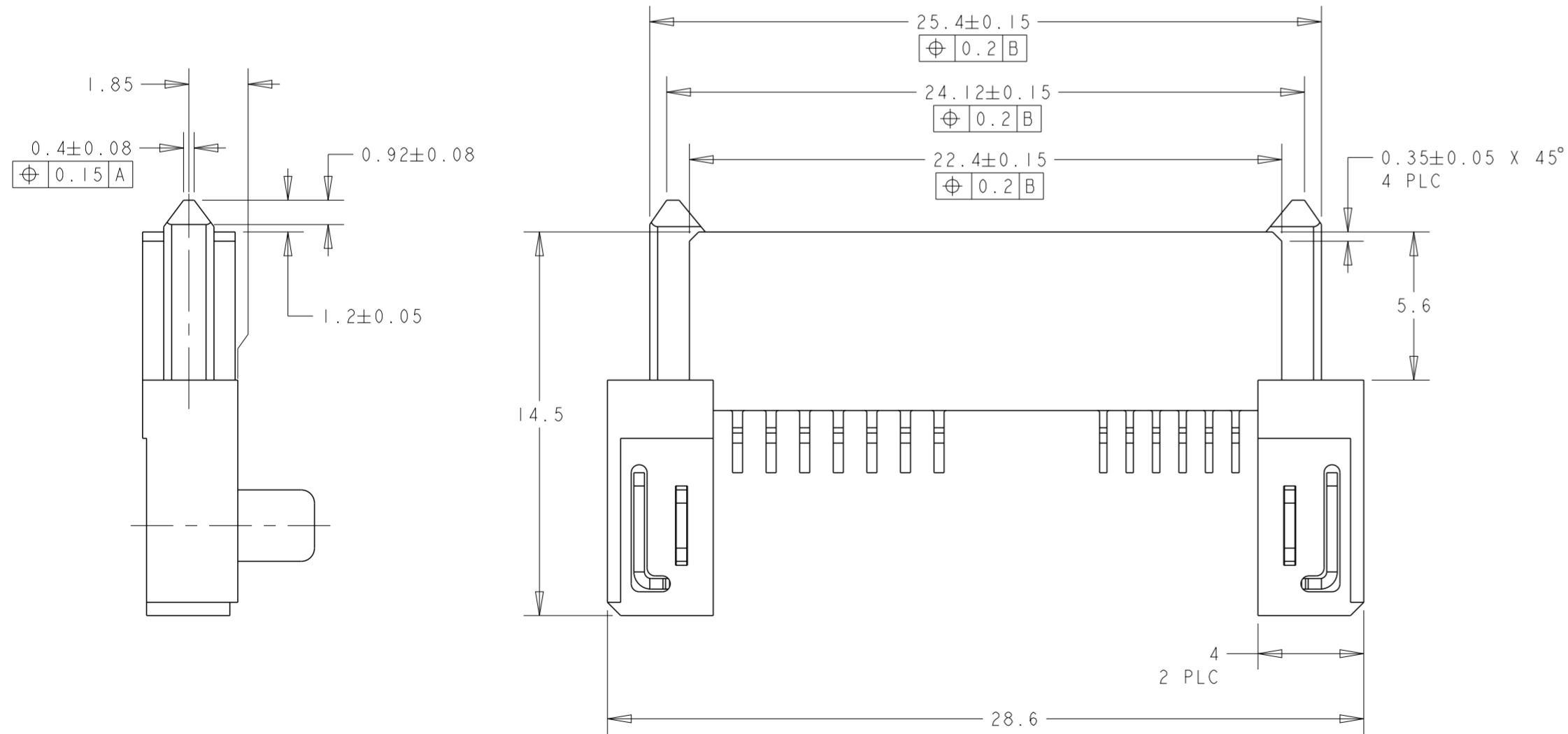
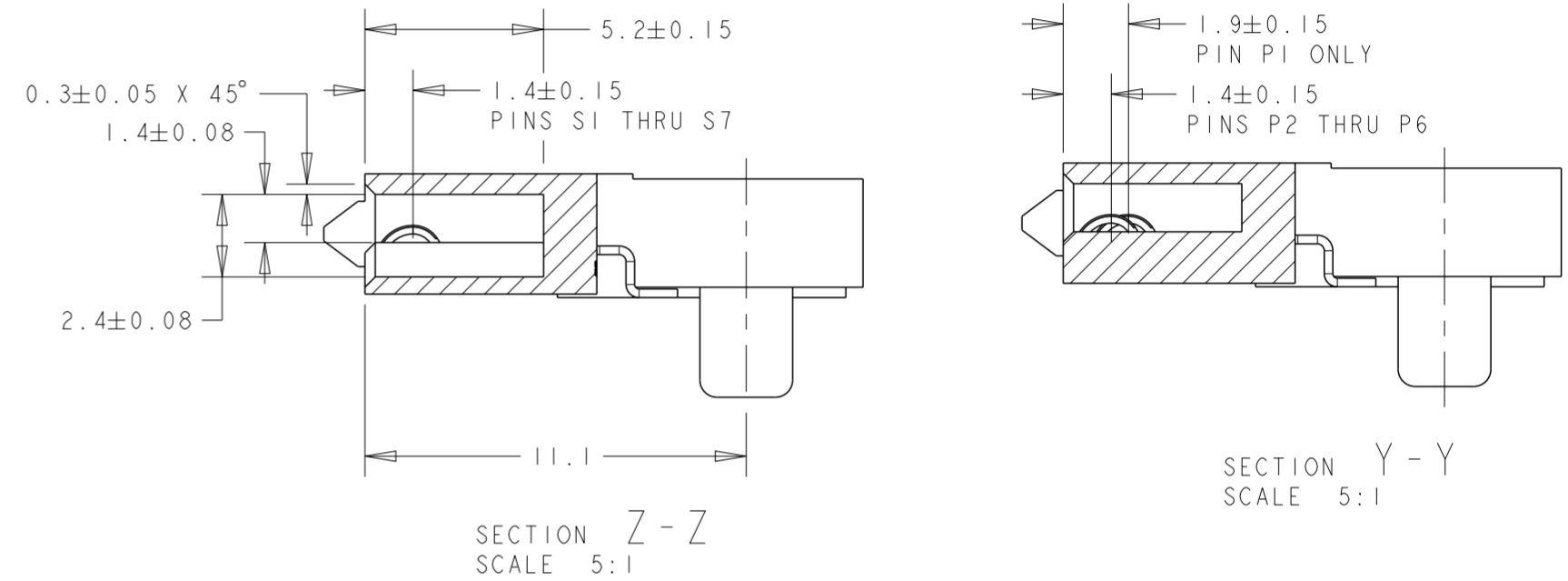
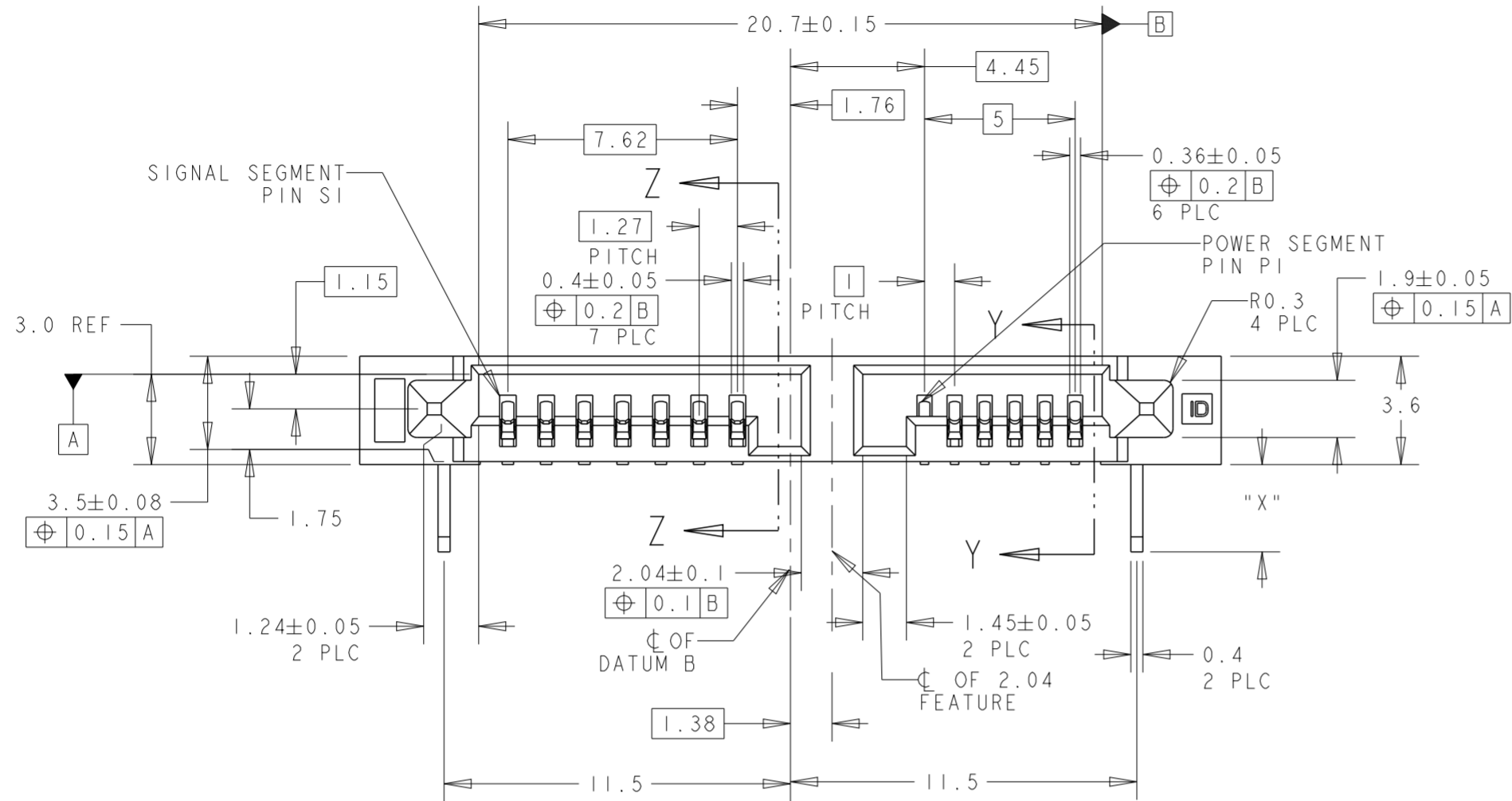


THIS DRAWING IS UNPUBLISHED. RELEASED FOR PUBLICATION 20
 © COPYRIGHT 20 BY - ALL RIGHTS RESERVED.

LOC		DIST		REVISIONS			
P	LTR	DESCRIPTION	DATE	DWN	APVD		
C2		REVISED PER ECR-16-011040	2AUG2016	S.W	W.H		

NOTES:

- 1 MATERIAL:
HOUSING: HIGH TEMP THERMOPLASTIC, UL94 V-0, BLACK
CONTACT: COPPER ALLOY
SOLDER PEG: COPPER ALLOY
- 2 FINISH:
CONTACT : "A" MIN GOLD PLATING AT MATING SIDE AND
SOLDER PEG: 2.54µm MIN TIN PLATING AT SOLDER TAIL WITH
1.27µm MIN NICKEL UNDERPLATING ALL OVER.
2.54µm MIN TIN PLATING WITH
1.27µm MIN NICKEL UNDERPLATING ALL OVER.
- 3. CO-PLANARITY TO BE 0.1mm MAX AFTER 2 PASS REFLOW,
PEAK 245 DEGREE CELSIUS



RECOMMENDED PCB LAYOUT

TAPE & REEL	TRAY	PACKAGING TYPE	TAPE & REEL	TRAY	PACKAGING TYPE
2.9	1.8	"X"	0.76 µm	0.38 µm	"A"
			0.38 µm	0.76 µm	
			0.05 µm	0.38 µm	
			0.76 µm	0.05 µm	
			0.38 µm	0.05 µm	
			0.05 µm		

THIS DRAWING IS A CONTROLLED DOCUMENT. DWN: KW YAP 09SEP2007

DIMENSIONS: mm. TOLERANCES UNLESS OTHERWISE SPECIFIED:

0 PLC	±
1 PLC	±0.20
2 PLC	±0.20
3 PLC	±0.20
4 PLC	±0.20
ANGLES	±1°
FINISH	

MATERIAL: 1 - 2

APVD: SF LEONG. PRODUCT SPEC: 108-51075. APPLICATION SPEC: -

WEIGHT: -. CUSTOMER DRAWING. SCALE: 4:1. SHEET 1 OF 1. REV: C2

STE TE Connectivity. NAME: - SLIMLINE SATA RECEPTACLE 7P+6P RIGHT ANGLE, SMT. SIZE: A2. CAGE CODE: 00779. DRAWING NO: C-1735413. RESTRICTED TO: -

单击下面可查看定价，库存，交付和生命周期等信息

[>>TE Connectivity\(泰科\)](#)