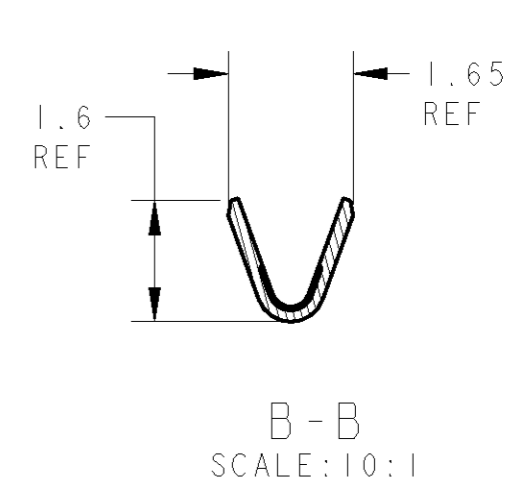
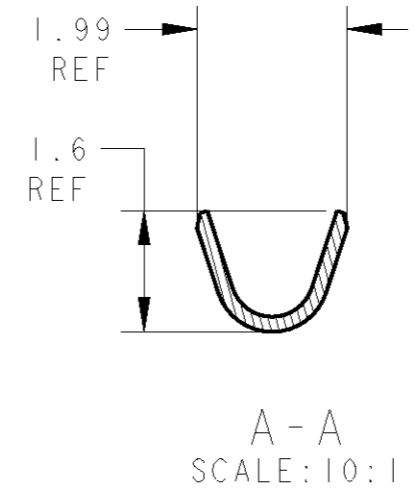
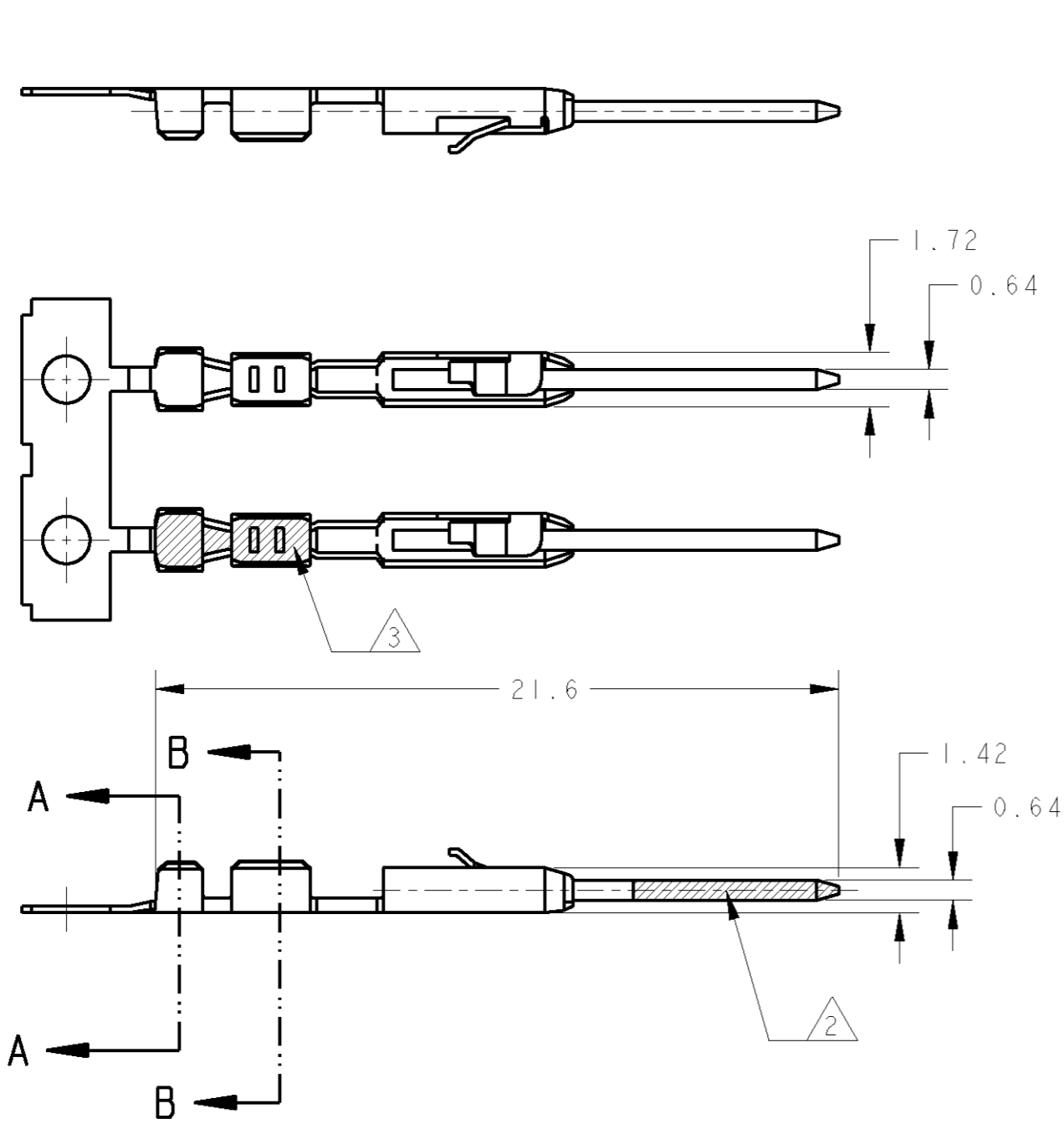


THIS DRAWING IS UNPUBLISHED. RELEASED FOR PUBLICATION 20
 © COPYRIGHT 20 BY TYCO ELECTRONICS CORPORATION. ALL RIGHTS RESERVED.

| LOC | DIST | REVISIONS 変更 | | | |
|-----|------|-----------------|----------|-----------|---------|
| P | LTR | DESCRIPTION | DATE | DWN | APVD |
| J | - | A | RELEASED | 31AUG2009 | Y.O T.K |

- 1: 本図
 - 1: AS SHOEN



- ① 材料、仕上げ
 ポスト: 金メッキ済黄銅
 ボディー: 錫メッキ済リン青銅
 - ② 金メッキエリア
 - ③ 錫メッキエリア
 - ④ 適用ハウジング; 1376959-1
-
- ① MATERIAL, FINISH
 POST: Brass, GOLD PLATING
 BODY: PBR, TIN PLATING
 - ② GOLD PLATING AREA
 - ③ TIN PLATING AREA
 - ④ APPLICABLE HOUSING: 1376959-1

THIS DRAWING IS A CONTROLLED DOCUMENT FOR TYCO ELECTRONICS CORPORATION
 IT IS SUBJECT TO CHANGE AND THE CONTROLLING ENGINEERING ORGANIZATION
 SHOULD BE CONTACTED FOR THE LATEST REVISION.

| | | |
|----------------------------|---|-----------------------|
| DIMENSIONS: 単位: 概 mm | TOLERANCES UNLESS OTHERWISE SPECIFIED: 一般公差 ±0.3 0-PLC ± 1-PLC ± 2-PLC ± 3-PLC ± 4-PLC ± ANGLES ±3° | FINISH 仕上 ① ② ③ |
|----------------------------|---|-----------------------|

| | |
|----------------------------|------------|
| DWN Y. OKADA | 31AUG2009 |
| CHK N. YAMASAKI | 31AUG2009 |
| APVD T. KIMIURA | 31AUG2009 |
| PRODUCT SPEC 製品規格 | 108-5729-1 |
| APPLICATION SPEC 取付適用規格 | 114-5464 |
| WEIGHT | |

| | | | |
|---|-----------|------------------------|---------------|
| WIRE RANGE 包合電線断面積 | #22-#26 | INSULATION DIA 被覆外径 | 0.91-1.37 |
| Tyco Electronics Corporation Kawasaki, Japan | | NAME 名称 | |
| TAB CONTACT, FAN MOTOR CONN | | | |
| SIZE | CAGE CODE | DRAWING NO 番号 | RESTRICTED TO |
| A3 | 00779 | C=1717024 | - |
| CUSTOMER DRAWING | | SCALE 尺度 | SHEET OF REV |
| | | 2.1 | 1 OF 1 A |

单击下面可查看定价，库存，交付和生命周期等信息

[>>TE Connectivity\(泰科\)](#)