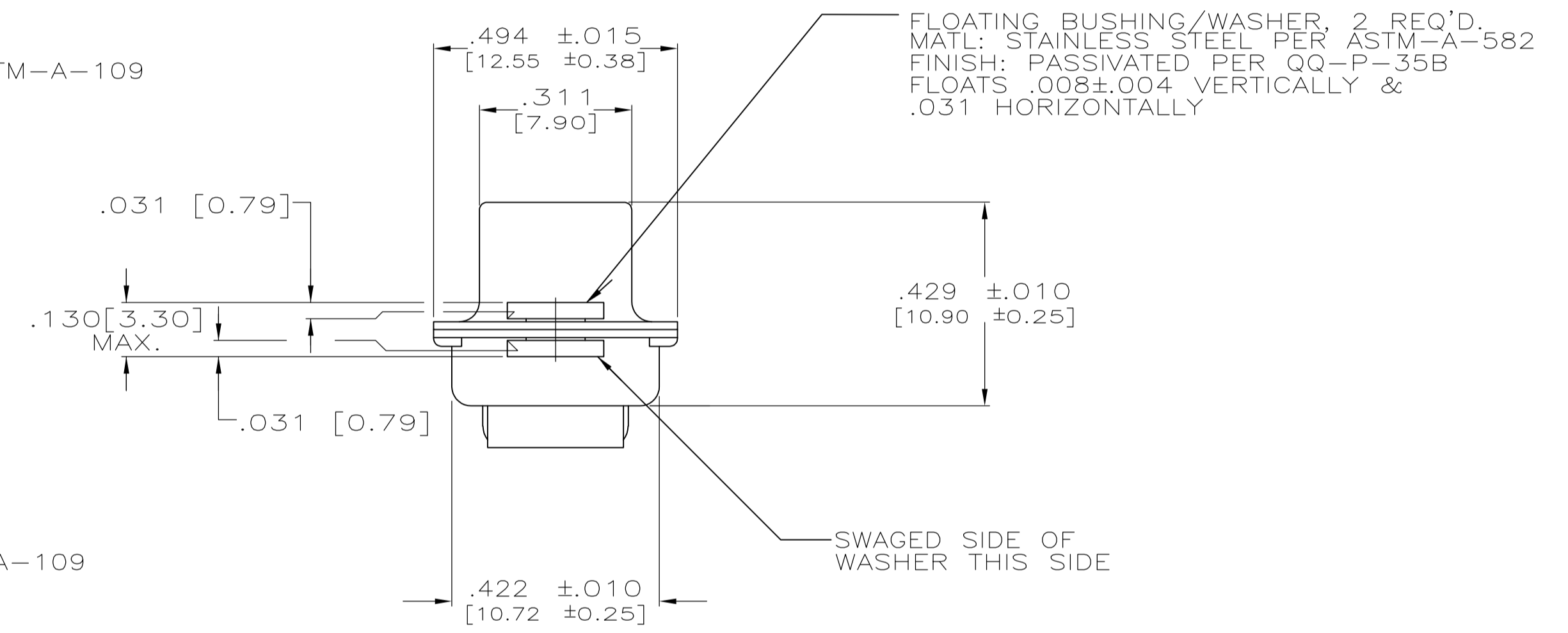
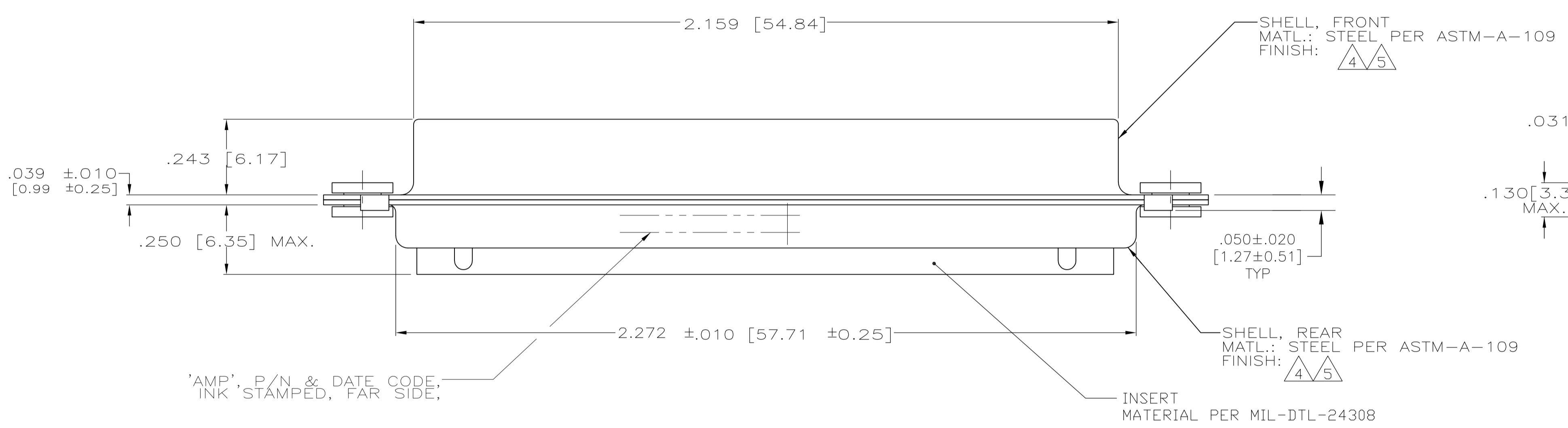
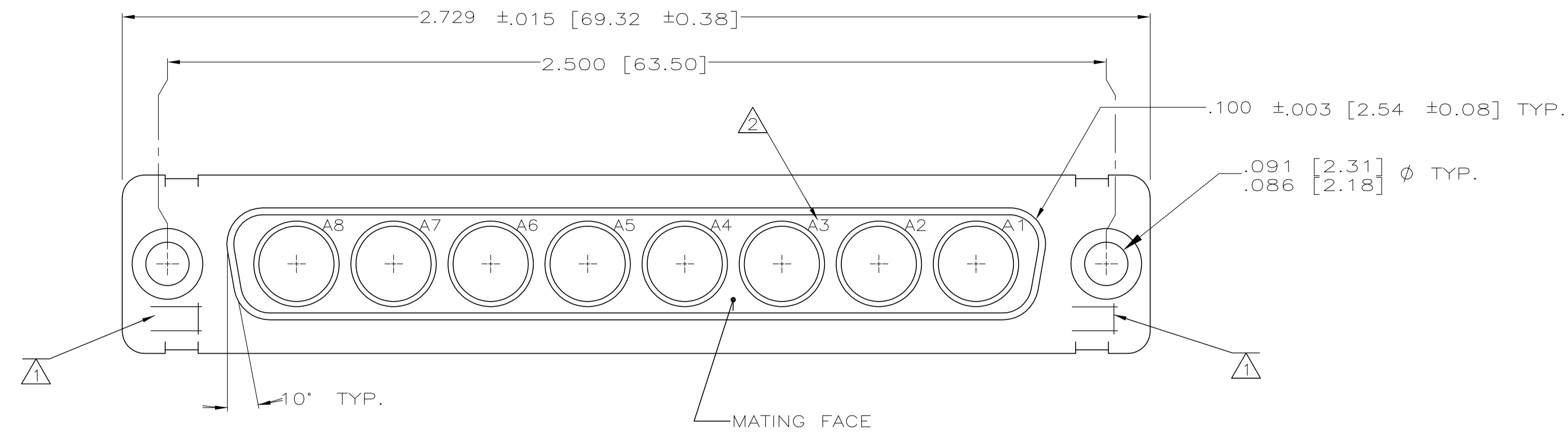


LOC		DIST		REVISIONS			
P	LTR	DESCRIPTION	DATE	DMN	APVD		
C		REV PER ECO 15-005929	5-13-15	CT	DM		



- 1 UL/CSA DESIGNATION STAMPED IN THIS AREA, OPTIONAL.
- 2 RAISED NUMBERS FOR IDENTIFICATION OF CIRCUIT HOLES.
- 3. CONTACTS NOT SUPPLIED WITH ASSEMBLY. CONTACTS TO BE PURCHASED SEPARATELY.
- 4 FINISH: CADMIUM PER QQ-P-416.
- 5 FINISH: ZINC PLATED PER ASTM-B-633 .000200-.000400 THK WITH SUPPLEMENTARY CHROMATE (Cr3+).

THIS DRAWING IS A CONTROLLED DOCUMENT.		DIN 2-14-91	STE TE Connectivity	
DIMENSIONS: INCHES		CHK C.C. THOMAS	NAME	
TOLERANCES UNLESS OTHERWISE SPECIFIED:		APVD	PRODUCT SPEC	
0 PLC ± -		APPLICATION SPEC		RESTRICTED TO
1 PLC ± -		SIZE		00779
2 PLC ± -		CAGE CODE		447720
3 PLC ± .005 [0.13]		DRAWING NO		447720
4 PLC ± -		WEIGHT		
5 ANGLES ± -		CUSTOMER DRAWING		SCALE 1:1 SHEET 1 OF 1 REV C

单击下面可查看定价，库存，交付和生命周期等信息

[>>TE Connectivity\(泰科\)](#)