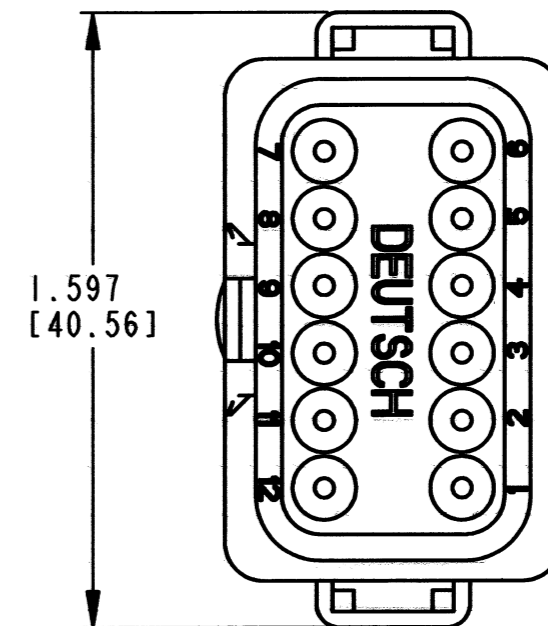
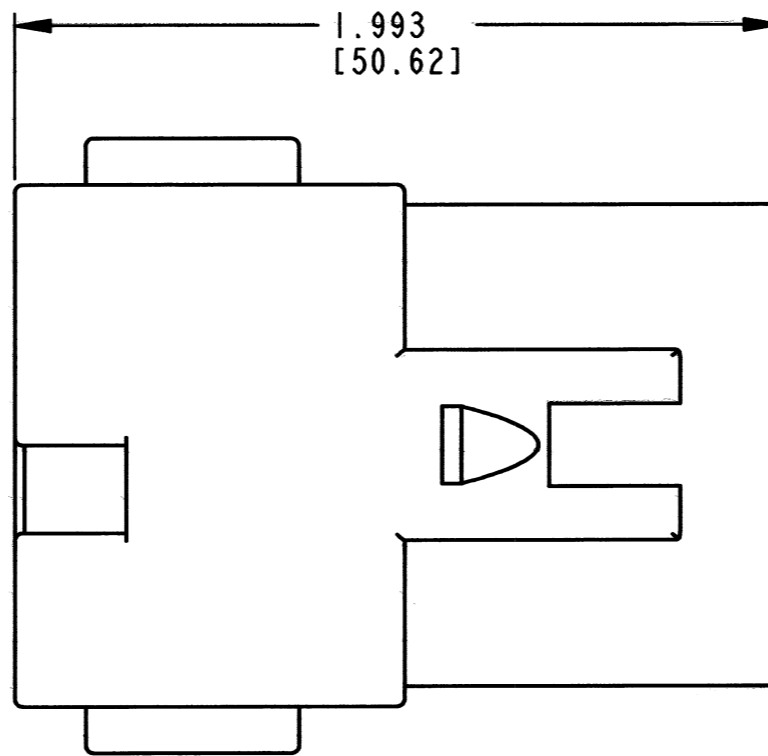
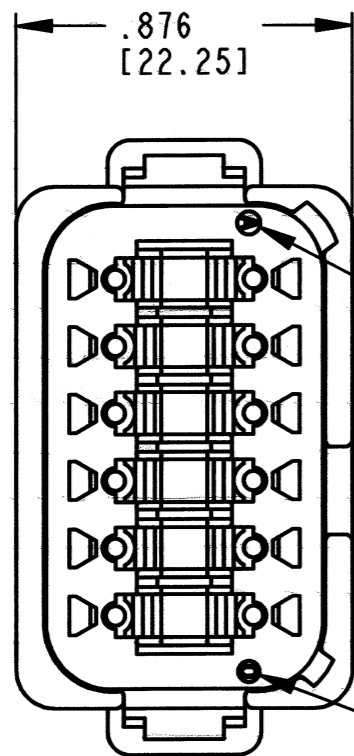


REV	DT04-12P*-B016	REVISIONS			
NC		SYM	DESCRIPTION	DATE	APPROVED
		NC	NEW RELEASE/REPLACES PREVIOUS		
			RELEASE PER E.O. P20828	3-11-11	ROR

3D VIEW



DATE CODE
 MONTH IS REPRESENTED BY SEQUENTIAL ALPHA
 CHARACTERS. EX: A=JANUARY
 YEAR IS REPRESENTED BY LAST DIGIT. EX. 0=2010.

5. MATERIAL - SHELL: PLASTIC; SEAL: RUBBER

4. THIS RECEPTACLE MATES WITH DT06-12S*-**** PLUG.
 (* = A,B,C,D KEY ARRANGEMENTS; **** = ALL MODIFICATIONS).
 CONSULT FACTORY FOR MODIFICATIONS.

3. FOR CONTACTS AND WIRE PERFORMANCE AND APPLICATION CHARACTERISTICS
 SEE ENVELOPE DRAWING 0425-015-0000 AND 0425-017-0000.

2. DIMENSIONS ARE ±.025[0.64] UNLESS OTHERWISE SPECIFIED.

NOTES: 1. DIMENSIONS ARE IN INCHES [MILLIMETERS].

CONTACT SIZE	MIN. INSUL. O.D.	MAX. INSUL. O.D.	WIRE RANGE [mm ²]
16	.088 [2.24]	.145 [3.68]	14-20 AWG [2.0-0.5]

SIGNATURE & DATE	
DR	A. MALAGON 04MAR11
CHK	D. Byford 3/11/11
PE	R. Meryn 3/4/11
APPD	S. Baum 3/10/11
SCALE	NONE
WT	

**12 WAY RECEPTACLE
 ENHANCED KEY
 DT SERIES**

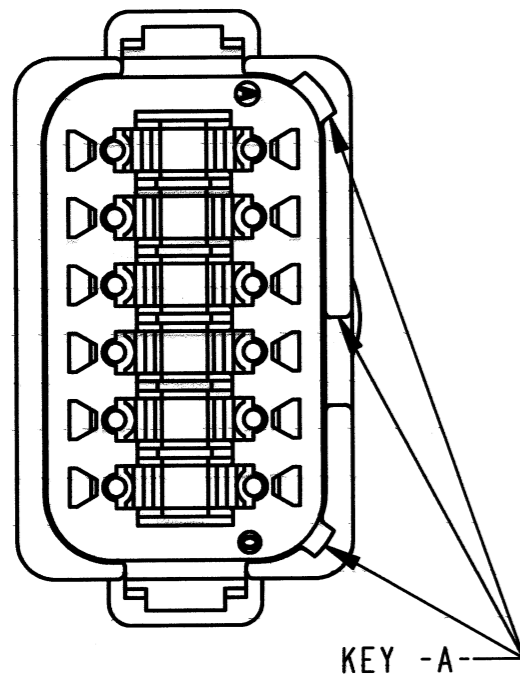
ENVELOPE

EP	MATL. CODE
3850 INDUSTRIAL AVE. HEMET, CA 92545	
B	DT04-12P*-B016
DWG SIZE	CODE 11139 SHEET 1 OF 2

REV		REVISIONS		
NC	SYM	DESCRIPTION	DATE	APPROVED
DT04-12P*-B016	NC	SEE SHEET 1	3-11-11	RDR

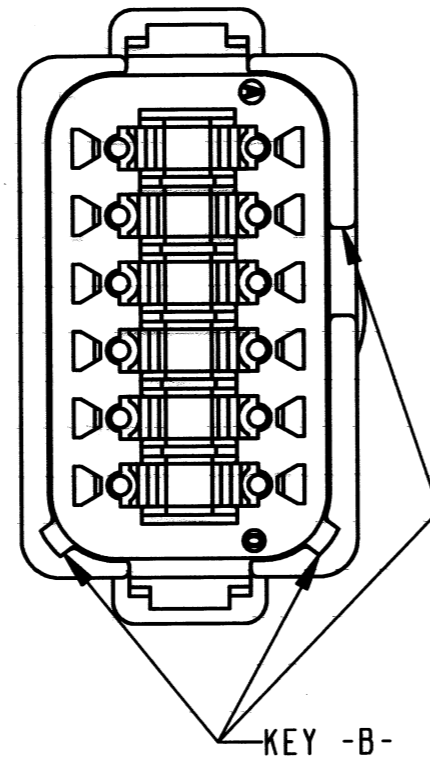
DT04-12PA-B016

KEY -A-
COLOR: GREY



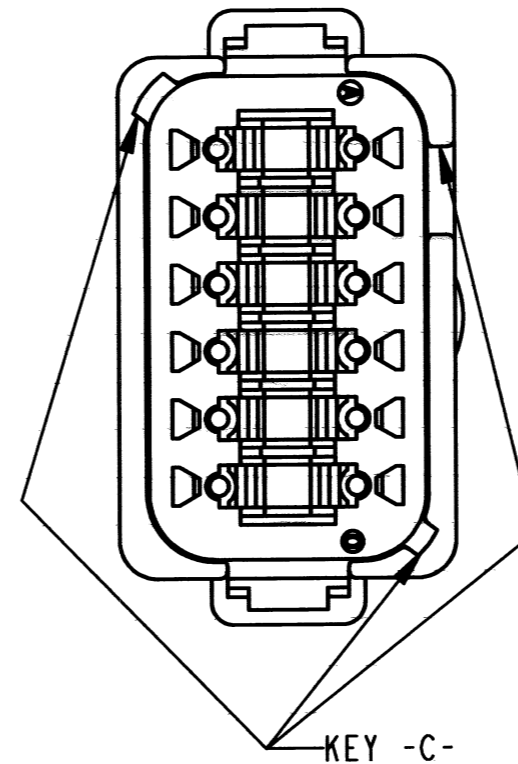
DT04-12PB-B016

KEY -B-
COLOR: BLACK



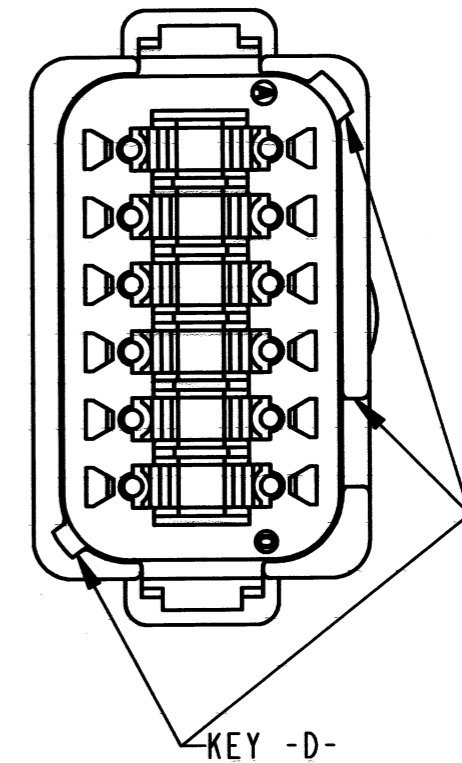
DT04-12PC-B016

KEY -C-
COLOR: GREEN



DT04-12PD-B016

KEY -D-
COLOR: BROWN




NOTES: SEE SHEET 1

SIGNATURE & DATE	
DR	A. MALAGON 04MAR11
CHK	B. [Signature] 3/11/11
PE	R. [Signature] 3/14/11
APPD	S. [Signature] 3/10/11
SCALE	NONE
WT	

12 WAY RECEPTACLE
ENHANCED KEY
DT SERIES

ENVELOPE

EP	MNL. CODE	
 3850 INDUSTRIAL AVE. HEMET, CA 92545		
B	DT04-12P*-B016	
DWG SIZE	CODE 11139	SHEET 2 OF 2

单击下面可查看定价，库存，交付和生命周期等信息

[>>TE Connectivity\(泰科\)](#)