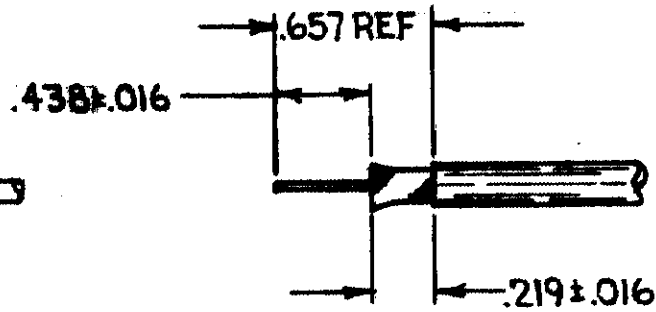
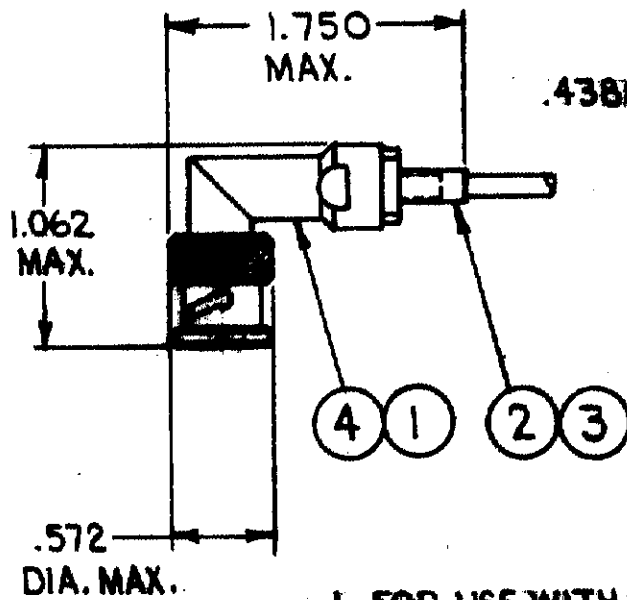


THIS DRAWING IS UNPUBLISHED. RELEASED FOR PUBLICATION
 BY AMP INCORPORATED, HARRISBURG, PA. ALL INTERNATIONAL RIGHTS
 RESERVED. AMP PRODUCTS MAY BE COVERED BY U.S. AND FOREIGN PATENTS AND/OR PATENTS PENDING.

REVISIONS					
P.	F.	UTR	DESCRIPTION	DATE	APPROVED
✓		G	REVISED/REDRAWN PER ECN C82-012	1-20-83	PK.
✓		H	REVISED PER ECN AJ-1056	2/18/85	MK PK 113



RECOMMENDED STRIP LENGTH

1. FOR USE WITH: RG-174/U & 188/U
2. USE CRIMPING TOOL: 69245-1
3. SEE I.S.: 1799-5

4	1	GASKET	2-329106-1
3	1	CRIMP END ASSY	50793-9
2	1	FERRULE	328666
1	1	PLUG ASSY, RIGHT ANGLE	330797
ITEM	QTY.	DESCRIPTION	PART NO

UNLESS OTHERWISE SPECIFIED DIMENSIONS ARE IN INCHES. TOLERANCES ON:
 DECIMALS ±
 ANGLES ±

MATERIAL
 H

FINISH
 H

CONTRACT NO
 DR *P. Kerlin* 4/20/83
 CHK *R. C. V. ...* 5-5-83
 APPD *M. ...* 4/14/84
 DSGN APPD
 OTHER APPD

AMP | AMP INCORPORATED
 Harrisburg, Pa. 17105

NAME
 CONNECTOR, COAXIAL, RF, PLUG,
 RIGHT ANGLE, SERIES BNC

SIZE **A** FSCM NO **00779** DRAWING NO **331178**

SCALE **NTS** SHEET **H**

单击下面可查看定价，库存，交付和生命周期等信息

[>>TE Connectivity\(泰科\)](#)