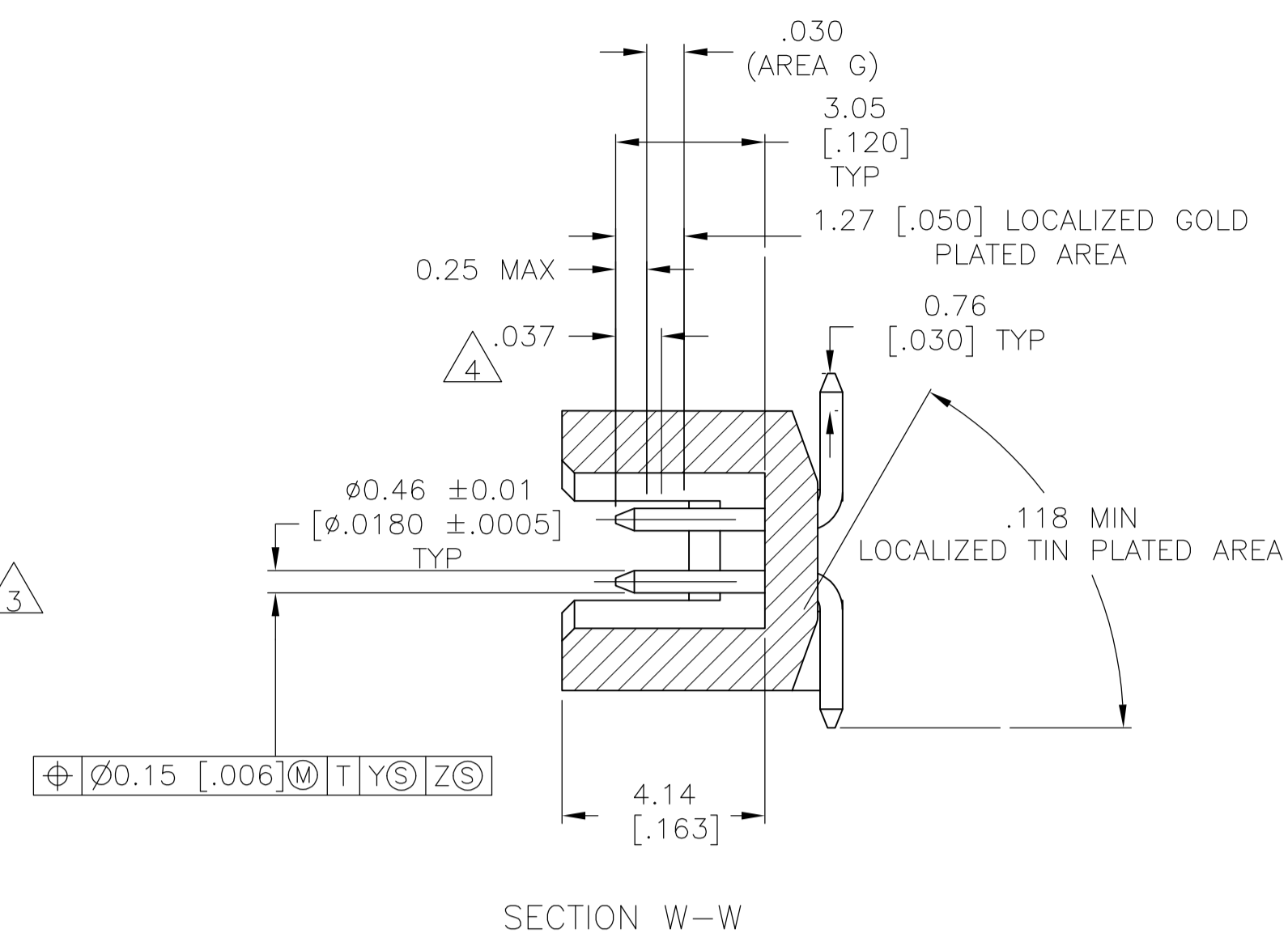
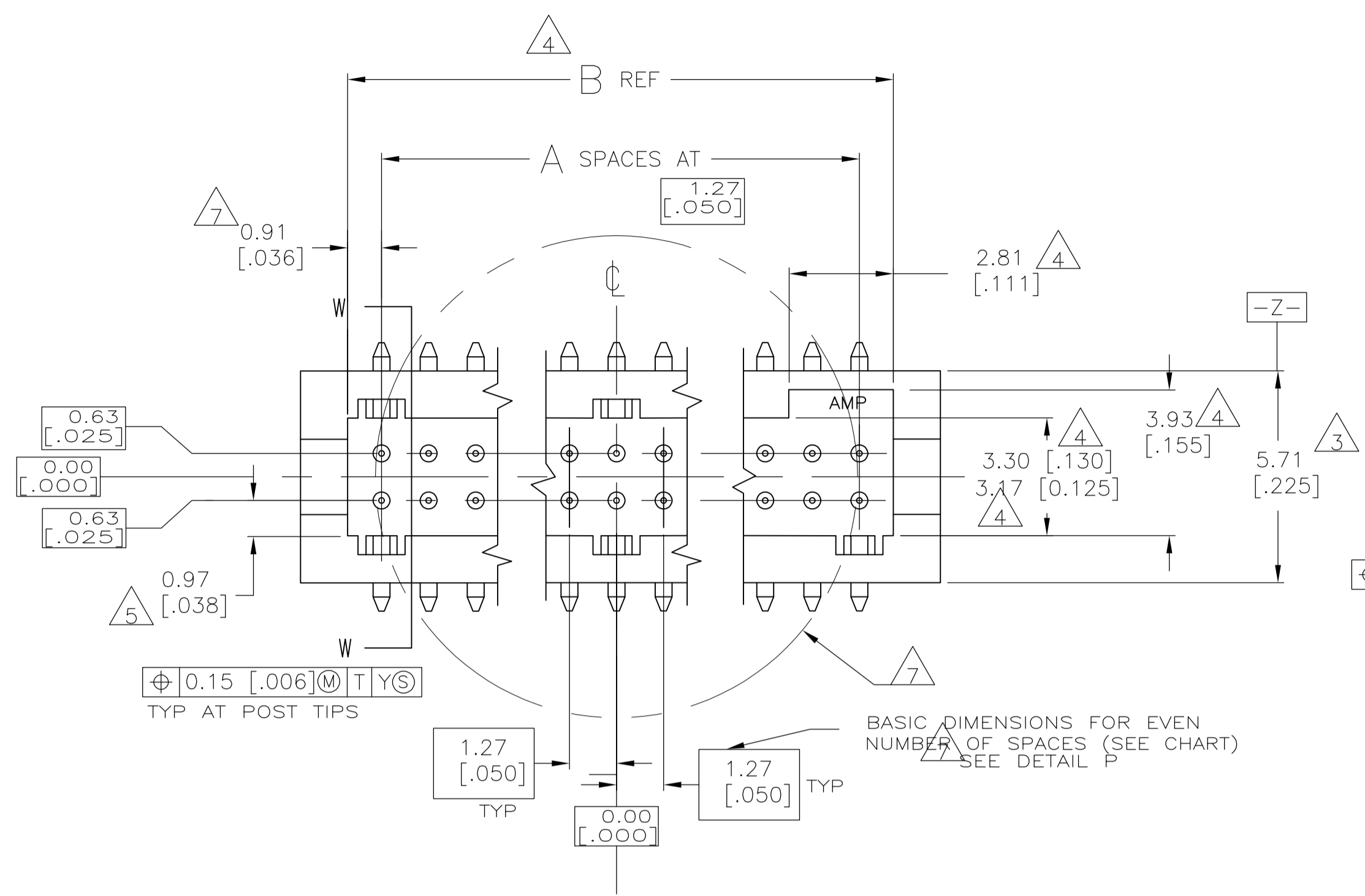
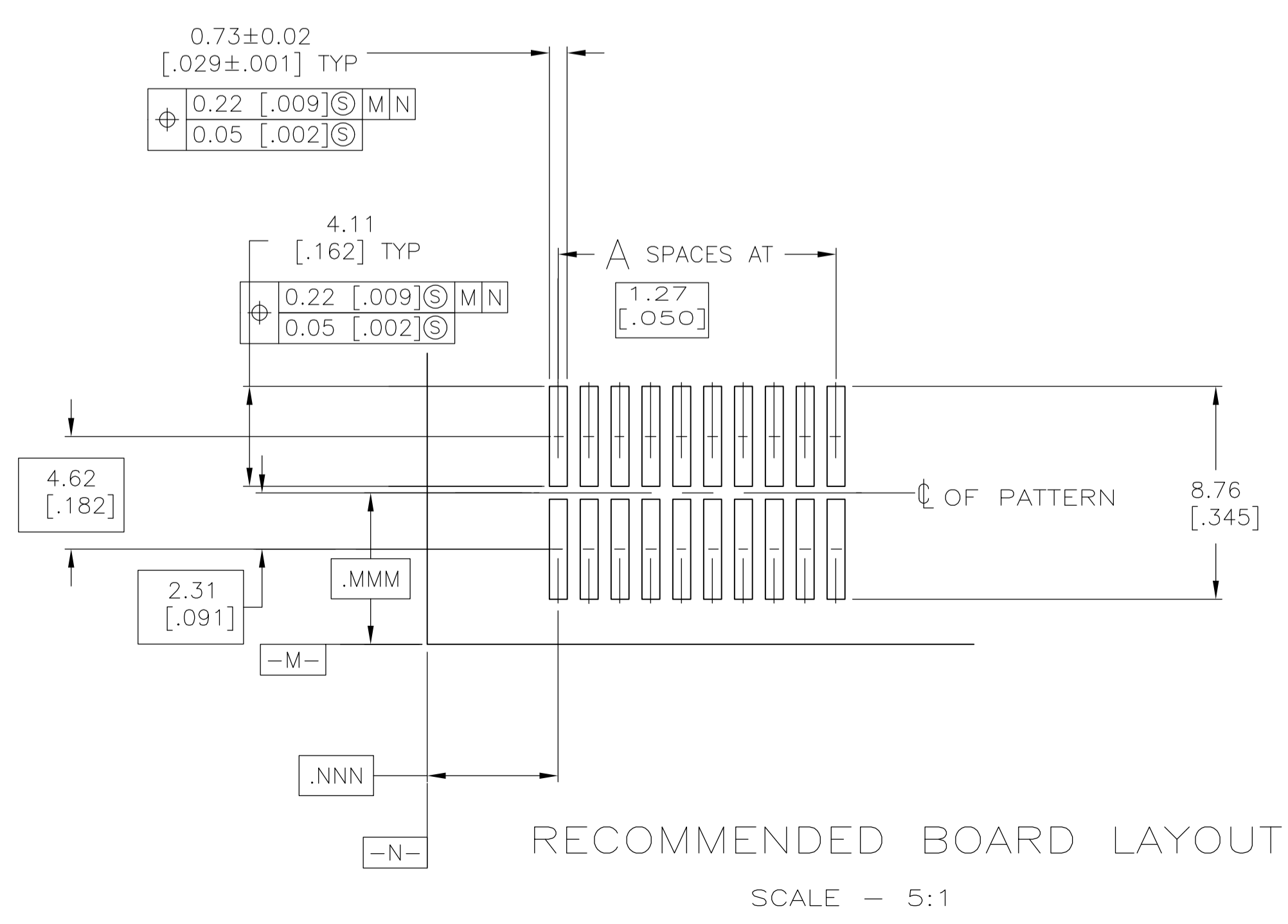
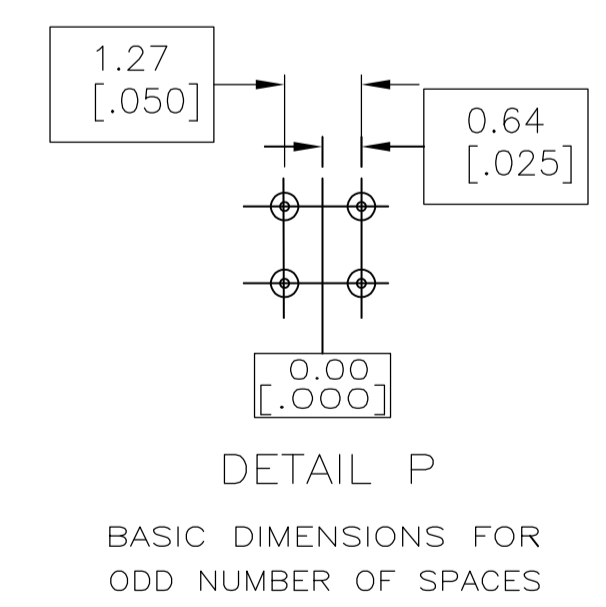
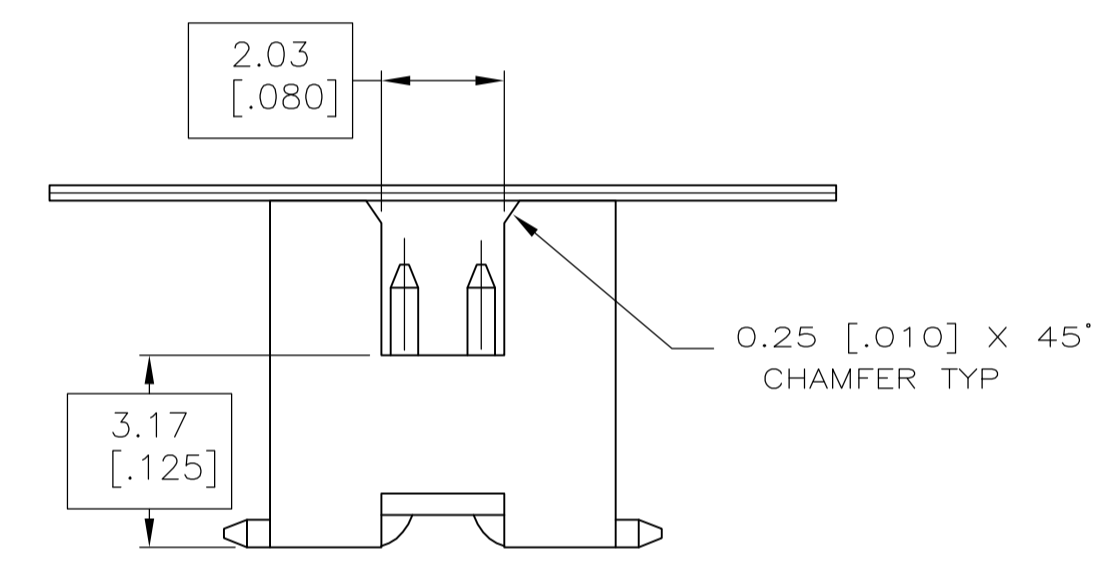
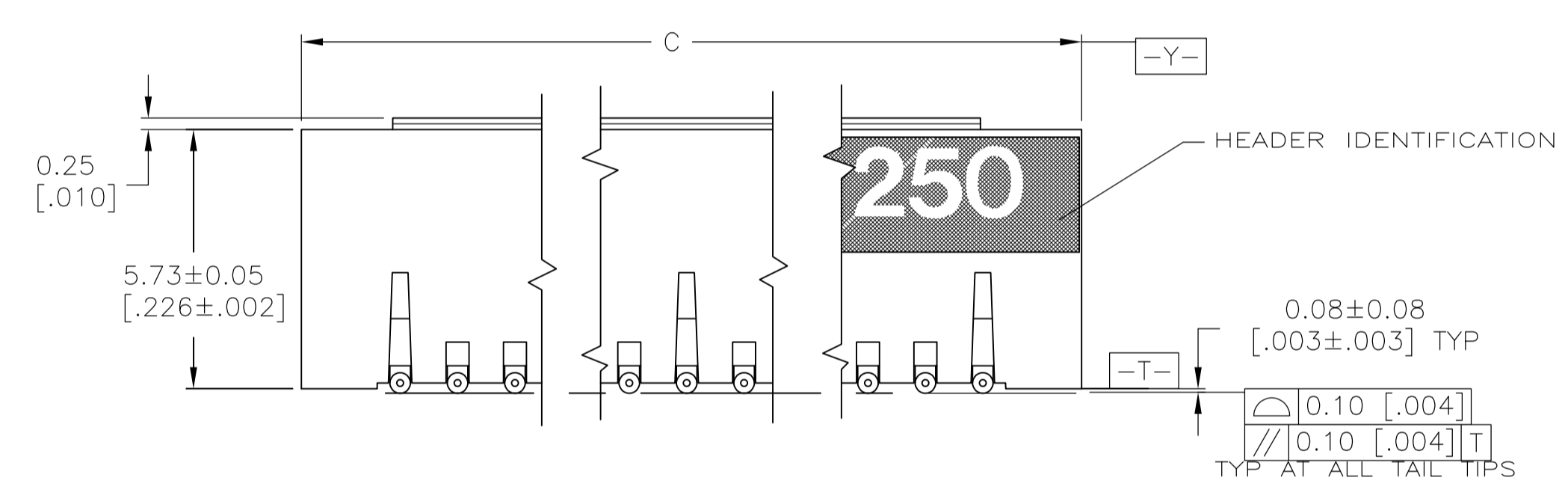


LOC		DIST		REVISIONS			
AD	00	REV	DATE	BY	CHK	APP	REV
B	EC	063C	0722	04	BSV	BSV	DLS
B1	REVISED	PER	ECO-09-020932				03SEP09 KK AEG



- 1. 0.00076[.000030] GOLD AT POINT OF MEASUREMENT, 0.00051[.000020] MIN AT THE END POINTS OF AREA G, (LOCALIZED PLATE AREA), 0.0038[.000150] TIN-LEAD ON LOCALIZED TIN-LEAD PLATED AREA, ALL OVER 0.0013[.000050] NICKEL
- 2. DIMENSION APPLIES AT BASE OF SHROUD.
- 3. THE NOTED DIMENSIONS APPLY AT THE MATING FACE OF THE HOUSING.
- 4. POINT OF MEASUREMENT.
- 5. DIMENSIONS NOTED APPLY FROM THE BASIC DIMENSION LINE (NOT THE CIRCUIT CAVITY CENTER LINE) TO THE SURFACE INDICATED.
- 6. IF PLANNING TO USE MORE THAN ONE MATING PAIR OF CONNECTORS TO INTERCONNECT 2 BOARDS, PLEASE REFER TO PARA. 3.3 IN THE APPLICATION SPEC, #114-7010
- 7. KAPTON VACUUM PICK UP BUTTON (SHOWN IN PHANTOM TO SHOW CONNECTOR DETAIL). 13.0±.25[.512±.010] DIAMETER LOCATED Ø1.0 [.039] Z Y
- 8. PACKAGED IN EIA 481 TAPE AND REEL. SEE TABLE FOR TAPE WIDTHS.
- 9. 0.00076 (.000030) GOLD AT POINT OF MEASUREMENT, 0.00051 (.000020) MIN AT THE END POINTS OF AREA G, (LOCALIZED PLATE AREA), 0.00381 (.000150) TIN ON LOCALIZED TIN PLATED AREA, ALL OVER 0.00127 (.000050) NICKEL.
- 10. OBSOLETE PARTS: OBSOLETE CIS STREAMLINING PER D.RENAUD/D.SINISI



	TAPE WIDTH	C	B	A	NUMBER OF POSITIONS	PART NUMBER
10 OBSOLETE	32.0	9.45 [.372]	6.91 [.272]	4	10	5-147119-2
10 OBSOLETE	44.0	15.79 [.622]	13.25 [.522]	9	20	5-147119-4
10 OBSOLETE	32.0	9.45 [.372]	6.91 [.272]	4	10	147119-2
10 OBSOLETE	44.0	15.79 [.622]	13.25 [.522]	9	20	147119-4

THIS DRAWING IS A CONTROLLED DOCUMENT.

DIMENSIONS: mm [INCHES]	TOLERANCES UNLESS OTHERWISE SPECIFIED:	0 PLC ± -	1 PLC ± -	2 PLC ± -	3 PLC ± -	4 PLC ± -	ANGLES ± -
-------------------------	--	-----------	-----------	-----------	-----------	-----------	------------

THIS DRAWING IS A CONTROLLED DOCUMENT. DIB B HAYMAKER 18NOV98. CJK D SIMPSON 18NOV98. APVD D SIMPSON 18NOV98. Tyco Electronics Corporation, Harrisburg, Pa 17105-3608.

PRODUCT SPEC: HEADER ASSEMBLY SURFACE MOUNT, AMPMODU 50/50 GRID (6.35 [.250] MATED HEIGHT)

SIZE: A1. CASE CODE: 00779. DRAWING NO: 147119. WEIGHT: -. RESTRICTED TO: -. CUSTOMER DRAWING. SCALE: 8:1. SHEET: 1 OF 1. REV: B1.

单击下面可查看定价，库存，交付和生命周期等信息

[>>TE Connectivity\(泰科\)](#)