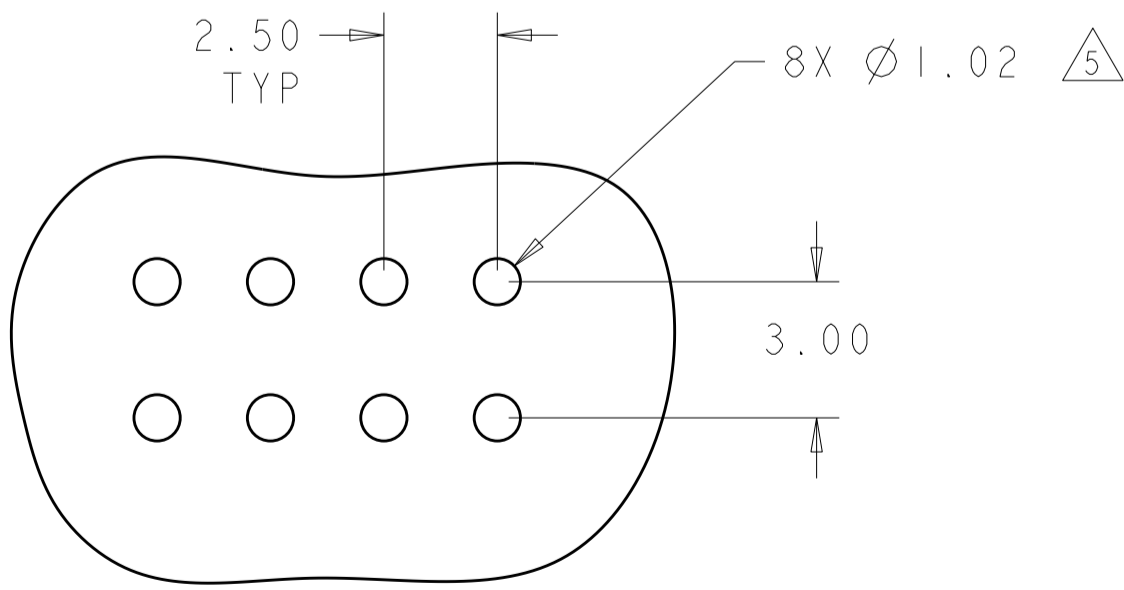
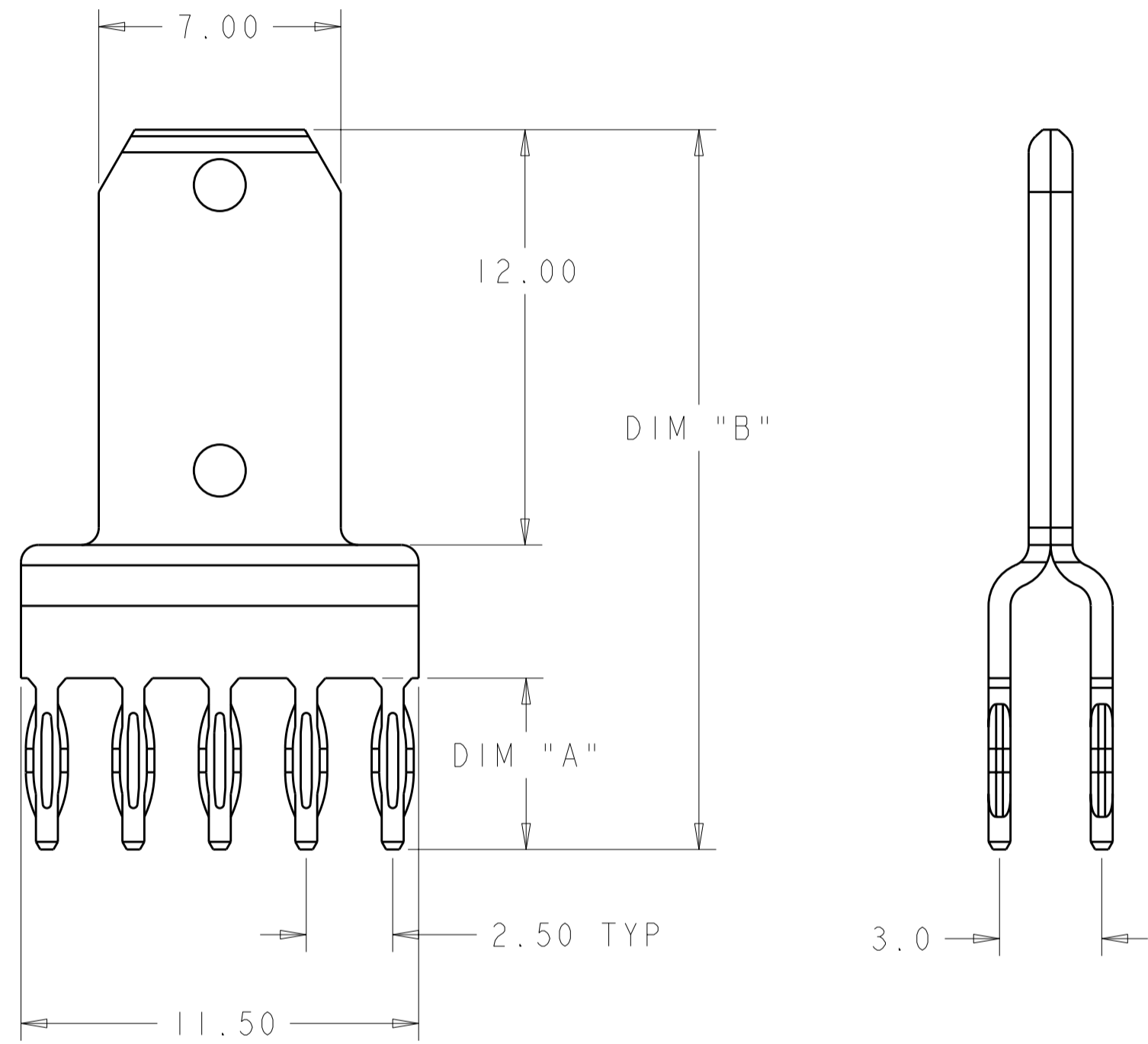


THIS DRAWING IS UNPUBLISHED. RELEASED FOR PUBLICATION 20  
 © COPYRIGHT 20 BY TYCO ELECTRONICS CORPORATION. ALL RIGHTS RESERVED.

LOC		DIST		REVISIONS			
P	LTR	DESCRIPTION	DATE	DWN	APVD		
	A	RELEASED	26FEB2008	RG	PD		



SUGGESTED P.C. BOARD LAYOUT  
 VIEW FROM THE CONNECTOR SIDE

1. PART NUMBER CHANGES AND/OR DESIGN CHANGES AFFECTING ITEM INTERCHANGEABILITY REQUIRES PRIOR TYCO ELECTRONICS APPROVAL AND AUTHORIZATION BY REVISION TO THIS DRAWING.

2. MATERIAL:  
 PHOSPHOR BRONZE ALLOY

3. FINISH:  
 CONTACT - GOLD PLATE 0.76µm MIN THK. OVER  
 NICKEL 1.27µm MIN THK.  
 COMPLAINT TAILS - TIN/LEAD PLATE 2.54µm MIN THK. OVER  
 NICKEL 1.27µm MIN THK.

4. ITEMS PROVIDED TO THIS SPECIFICATION TO BE PERMANENTLY IDENTIFIED ON THE CONTAINER PER THE FOLLOWING IDENTIFIER:

TYCO ELECTRONICS P/N DATE CODE (e.g. 0216)  
 XXXXXXXX-X XXXX  
 YEAR WEEK

5. RECOMMENDED PRINTED CIRCUIT HOLE COMPLIANT PRESS FIT:  
 DRILLED HOLE: Ø1.15±0.013  
 COPPER PLATE: 0.025 TO 0.050  
 TIN PLATE: 0.0005 MIN (PER SURFACE)

20.80	4.95	1648777-2
22.70	6.85	1648777-1
DIM "B"	DIM "A"	PART NO.

DIMENSIONS:		TOLERANCES UNLESS OTHERWISE SPECIFIED:		DWN		Tyco Electronics	
mm		0 PLC	±	R. GRZYBOWSKI	30 JAN 2008	Harrisburg, PA 17105-3608	
		1 PLC	±0.5	CHK	30 JAN 2008	NAME	
		2 PLC	±0.25	P. DAMATO	30 JAN 2008	POWER CONTACT, DISCRETE BLADE	
		3 PLC	±	APVD	30 JAN 2008	PCB MOUNT	
		4 PLC	±	S. FLICKINGER		COMPLIANT TAIL	
		ANGLES	±3	PRODUCT SPEC		SIZE	CAGE CODE
		FINISH		APPLICATION SPEC		A2	00779
MATERIAL				WEIGHT		DRAWING NO	RESTRICTED TO
						1648777	
				CUSTOMER DRAWING		SCALE	SHEET OF REV
						6:1	1 1 A

单击下面可查看定价，库存，交付和生命周期等信息

[>>TE Connectivity\(泰科\)](#)