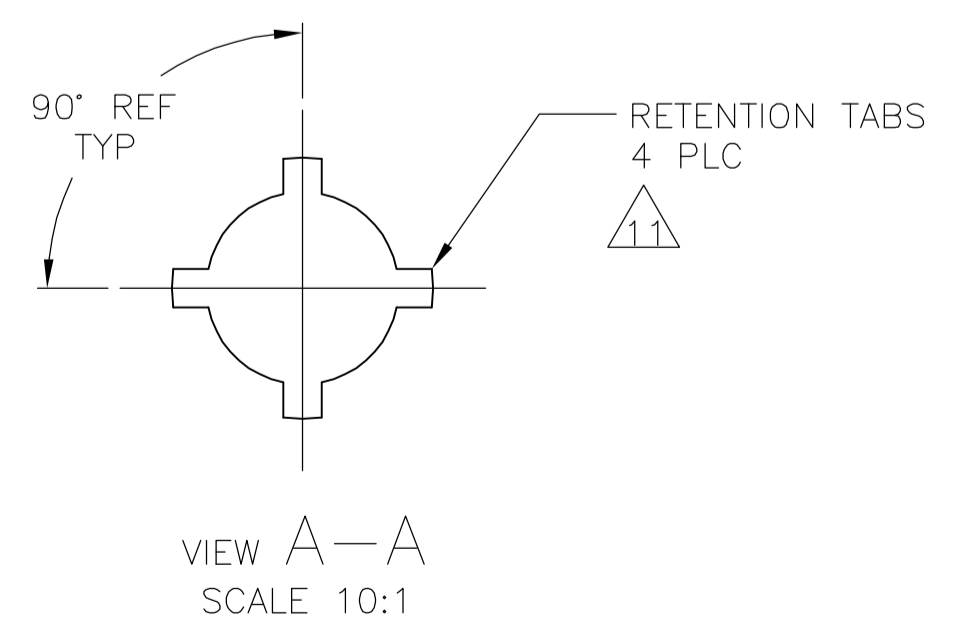


RECOMMENDED MOUNTING HOLE PATTERN FOR 1.57[.062] THICK P.C. BOARD

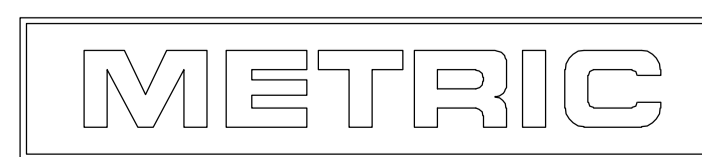


- 1 MATERIAL HOUSING: THERMOPLASTIC POLYAMIDE, GLASS FILLED, UL94V-0. POST: COPPER ALLOY
- 2 FINISH HOUSING: NATURAL. POST: BRIGHT TIN-LEAD (93/7) PLATE OR MATTE TIN PLATE 0.0038[.000150]-0.0088[.000350] THICK OVER NICKEL UNDERPLATE, 0.0013[.000050] MIN THICK.
- 4 POST SOLDER TAILS COMPLY WITH AMP SOLDERABILITY SPEC 109-11-2.
- 5 POST WITHSTANDS 13.34N (3 LB) MIN AXIAL FORCE IN EITHER DIRECTION WITHOUT DISLODGING.
- 6 APPLIES AT -A-.
- 7 APPLIES WHEN THE HEADER IS STRAIGHT.
- 8 PLASTIC PROJECTIONS PERMITTED IN THIS ZONE.
- 9 COORDINATE DIMENSIONS APPLIES FROM THE CENTER OF THE ACTUAL FEATURE.
- 10 SOLDER SIDE OF BOARD IS SHOWN.
- 11 THE RETENTION TABS PROVIDE A ONE-TIME INTERFERENCE FIT IN THE 1.63[.064] DIAMETER BOARD HOLE FOR HEADER ASSEMBLY RETENTION DURING SOLDERING. FOUR TABS PER PEG, TWO PEGS PER HEADER ASSEMBLY.
- 12 DIMENSIONS IN BRACKETS ARE IN INCHES.
- 13 EDGE OF POLARIZING LOCK WALL TO BE IN LINE WITH CENTERLINE OF ADJACENT POST WITHIN ±0.13 [.005].
- 14 NOTCH SHOWN MAY OR MAY NOT APPEAR.

FINISH	L	NO. OF POSN	PART NO.
TIN	47.42 [1.867]	12	4-647615-2
TIN-LEAD	47.42 [1.867]	12	1-647615-2

THIS DRAWING IS A CONTROLLED DOCUMENT.

DIMENSIONS: mm [INCHES]	TOLERANCES UNLESS OTHERWISE SPECIFIED:	DWG BY: G. LEWIS	DATE: 13AUG90		Tyco Electronics Corporation Harrisburg, Pa 17105-3608
0 PLC ± -	1 PLC ± -	CHK: R. SWING	DATE: 13AUG90		
2 PLC ± 0.13[.005]	3 PLC ± -	APP'D: E.W. BEILES	DATE: 14AUG90	NAME: MTA-156 HEADER ASSEMBLY, POLARIZED LOCK, STRAIGHT .045 SQUARE POST, TIN-LEAD PLATED W/RETENTION PEGS	
4 PLC ± -	ANGLES ± 1'	PRODUCT SPEC: -	APPLICATION SPEC: -	SIZE: A1	CAGE CODE: 00779
MATERIAL: 1	FINISH: 2	WEIGHT: -	SCALE: 5:1	SHEET: 1 of 1	REV: 01



单击下面可查看定价，库存，交付和生命周期等信息

[>>TE Connectivity\(泰科\)](#)