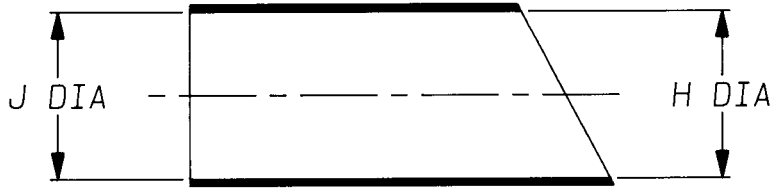
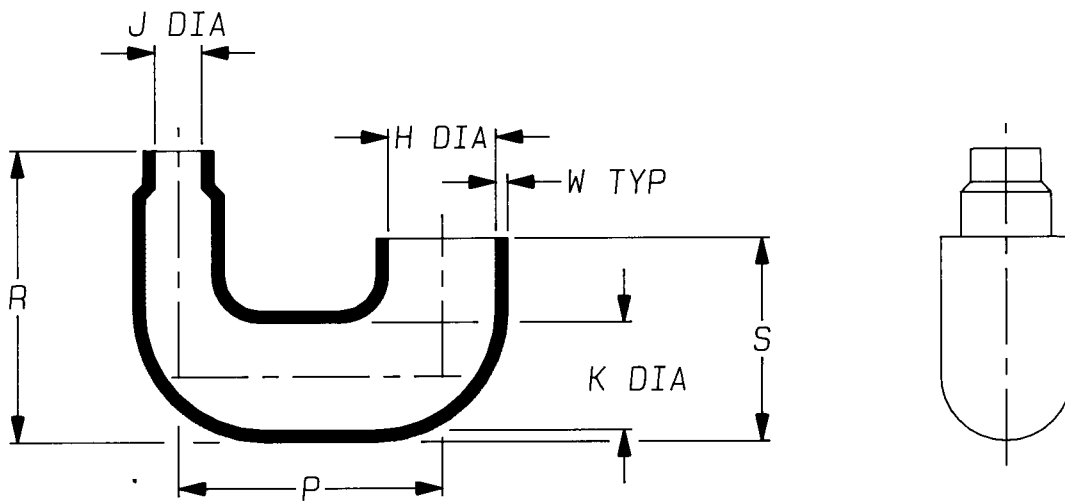


a) Part as supplied

200W212



b) Part after unrestricted recovery



DIMENSIONS (in millimetres)

Part No.	H		J		P	K	R	S	W
	Min a	Max b	Min a	Max b	±10% b	±10% b	±10% b	±10% b	±20% b
200W212	20	15	20	7.0	35	15	38	27	1.5

Copyright (!)
Urheberrechte

The copyright in this drawing is the property of Raychem Ltd. The drawing is issued on condition that it is not copied, reproduced or disclosed to a third party, either in whole or in part without the prior written consent of Raychem Ltd.

Drawn A.LILLEY. Checked *KL* Issue 2 Date April 1995

Conforms to ISO Recommendations
3rd Angle Projection
Not to Scale

Approval
Design

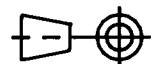
AARS.

MKTG.

KL

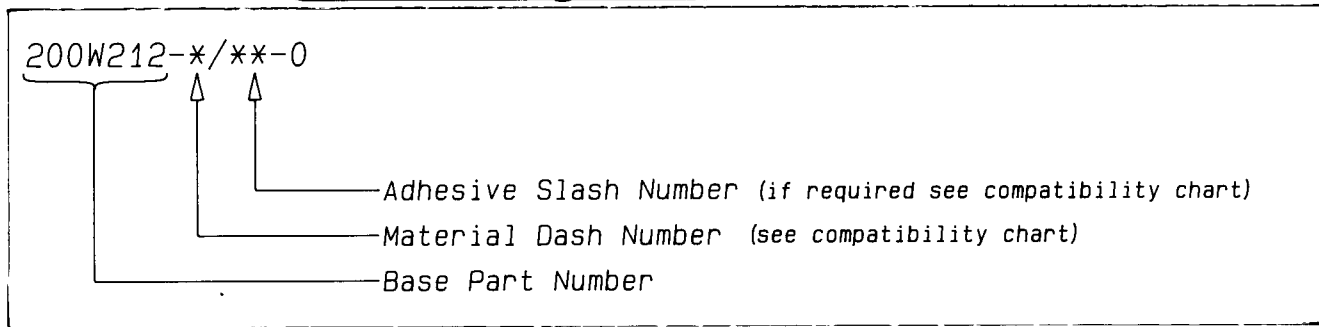
G.A.

M



Iss.	Date	E.C.R. No.	Details of Change
2	April 1995	H0206	Hb WAS 5

Ordering Information



COMPATIBILITY CHART

MATERIAL DASH NUMBER	MATERIAL DESCRIPTION	COATING SLASH NUMBER
-3	POLYOLEFIN, SEMI-RIGID	/42, /86
-4	POLYOLEFIN, FLEXIBLE	/42, /86
-25	ELASTOMER, FLUID RESISTANT	/86, /225

AS SUPPLIED DIMENSIONS ARE FOR UNCOATED PARTS,
WHEN COATING IS ADDED, ENTRY DIAMETERS WILL REDUCE BY 1.5mm MAX.

Raychem
 Thermofit Division Europe,
 Swindon, Wiltshire, England.
 Telephone: (01793) 528171 Fax: 573923

单击下面可查看定价，库存，交付和生命周期等信息

[>>TE Connectivity\(泰科\)](#)