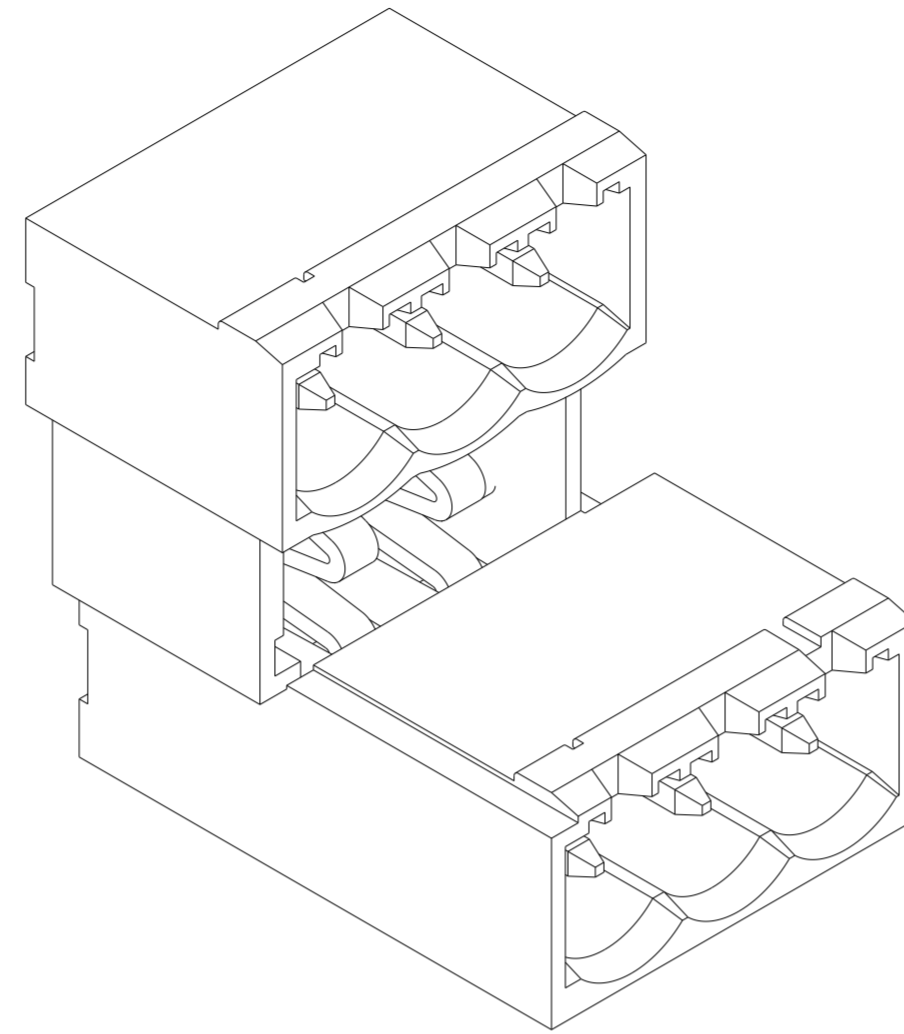
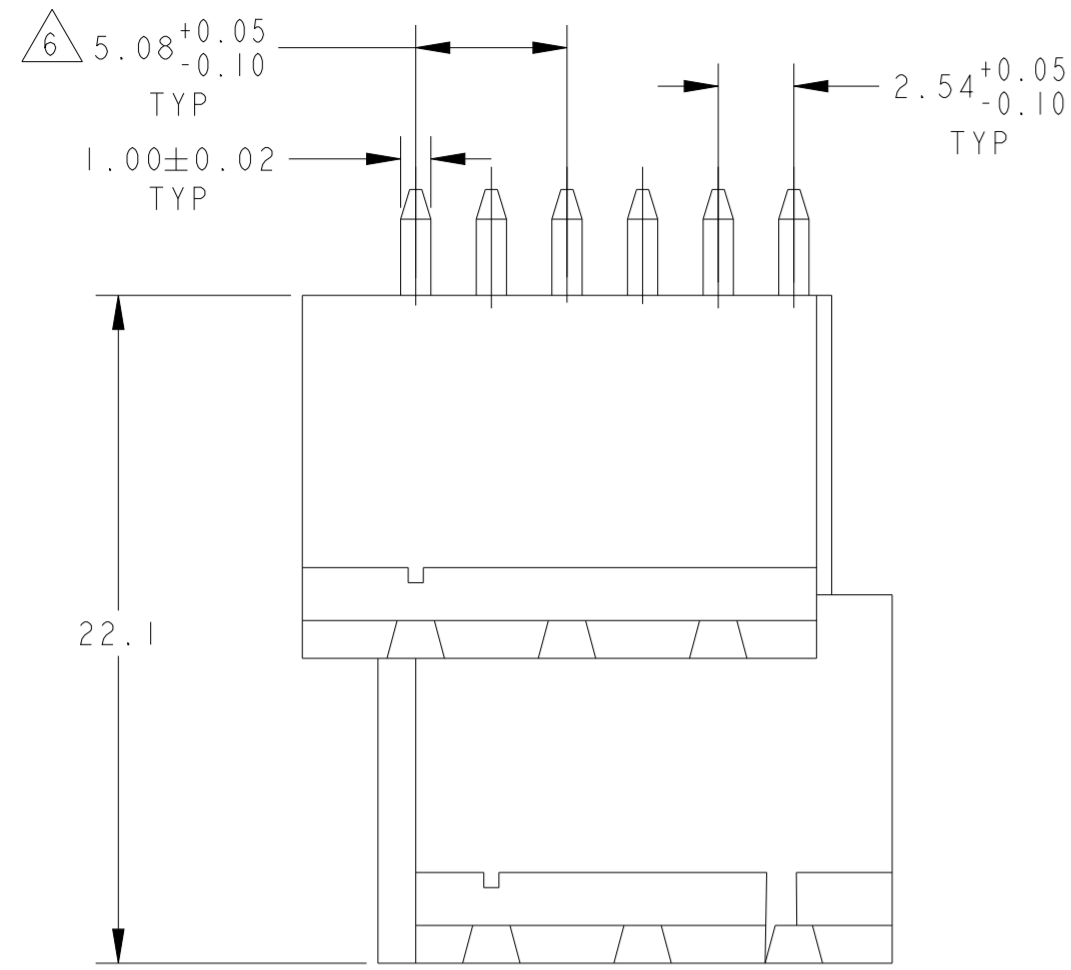
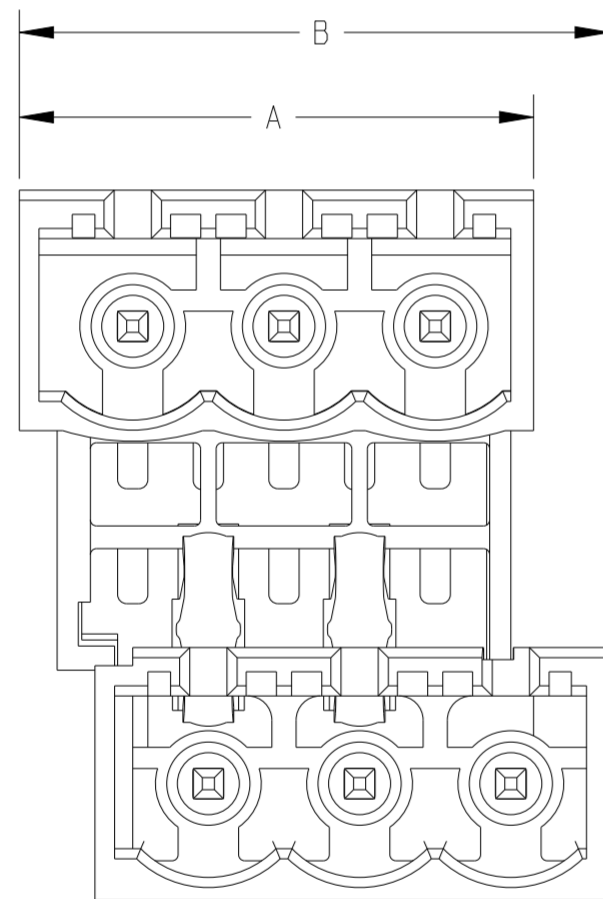


| P | LTR | DESCRIPTION | DATE | DWN | APVD |
|---|-----|---------------------------------|-----------|-----|------|
| A | | REVISED PER ECO-13-017516 | 08NOV2013 | KH | MB |
| B | | DESIGN IMPROVEMENT IN NEW MOLD | 31JUL2020 | DV | PS |
| C | | REVISED AS PER PCN :E-20-012263 | 12OCT2021 | SCB | SS |

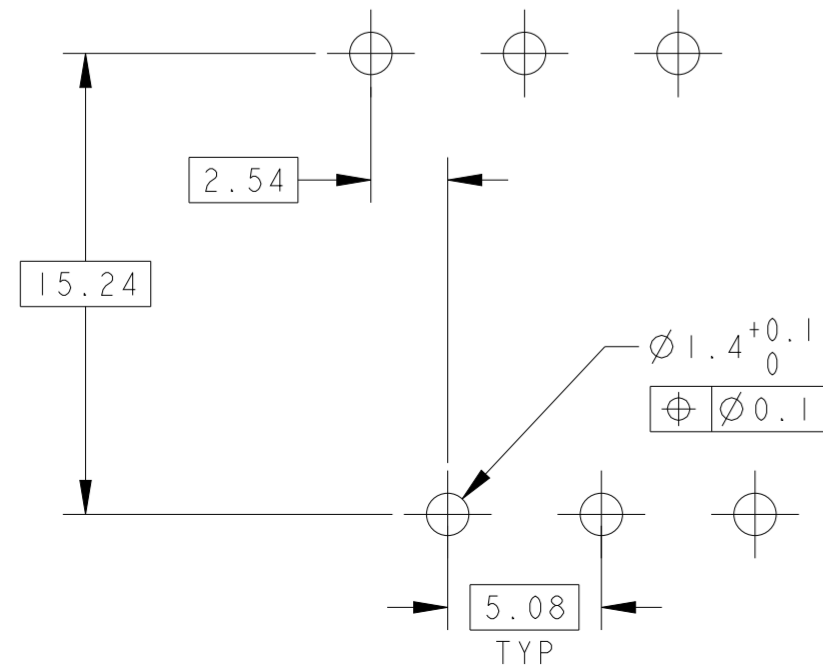


1776165-3 AS SHOWN

1. MATERIALS AND FINISH
HOUSING: HIGH TEMPERATURE POLYAMIDE, UL 94V-0 RATED, COLOR: BLACK.
TERMINAL: COPPER ALLOY, TIN PLATED.
2. SUITABLE FOR 1,6-2,4mm PC BOARD THICKNESS.
3. ELECTRICAL
RATED VOLTAGE : 300 V
RATED CURRENT : 12 A
CONTACT RESISTANCE : < 15 mΩ
INSULATION RESISTANCE: > 1000 MΩ (500V DC)
4. OPERATING TEMPERATURE RANGE: -40°C TO +110°C
5. P/N FROM 177-4 TO 1776165-8 ARE OBTAINED BY ASSEMBLING 1776165-2 AND 1776165-3 TO ACHIEVE THE DESIRED NUMBER OF POSITIONS.
6. NON CUMULATIVE TOLERANCE.



RECOMMENDED PC BOARD LAYOUT



| | | | |
|-------|-------|-----------|-------------|
| 44.94 | 42.44 | 8 | 1776165-8 |
| 39.86 | 37.36 | 7 | 1776165-7 |
| 34.74 | 32.24 | 6 | 1776165-6 |
| 29.70 | 27.20 | 5 | 1776165-5 |
| 24.66 | 22.16 | 4 | 1776165-4 |
| 19.50 | 17.00 | 3 | 1776165-3 |
| 14.50 | 12.00 | 2 | 1776165-2 |
| B | A | NO OF POS | PART NUMBER |

| | | | | |
|--|--|---------------------------------|---|--------------|
| THIS DRAWING IS A CONTROLLED DOCUMENT. | | DWN S. WELDON 01AUG2005 | TE Connectivity | |
| DIMENSIONS: mm | | CHK C. RICHARD 01AUG2005 | | |
| TOLERANCES UNLESS OTHERWISE SPECIFIED: | | APVD C. RICHARD 01AUG2005 | NAME TERMINAL BLOCK HEADER ASSEMBLY, MULTIPLE, 180 DEGREE, CLOSED ENDS, 5.08mm PITCH | |
| 0 PLC ±- | | PRODUCT SPEC | SIZE | |
| 1 PLC ±.3 | | APPLICATION SPEC | CAGE CODE | |
| 2 PLC ±.25 | | 114-20079 | DRAWING NO | |
| 3 PLC ±- | | WEIGHT | RESTRICTED TO | |
| 4 PLC ±- | | - | A200779C-1776165 | |
| ANGLES ±2° | | CUSTOMER DRAWING | SCALE 4:1 | SHEET 1 OF 1 |
| FINISH | | | | REV C |

单击下面可查看定价，库存，交付和生命周期等信息

[>>TE Connectivity\(泰科\)](#)