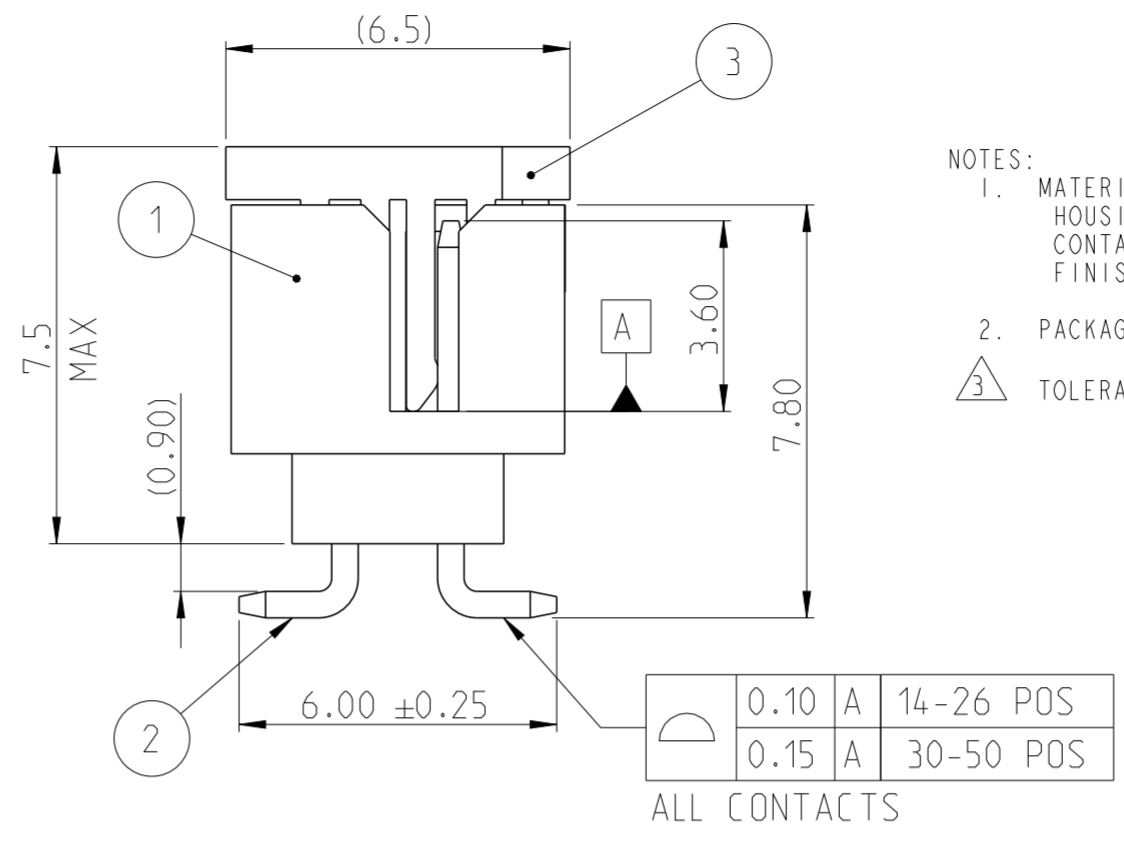
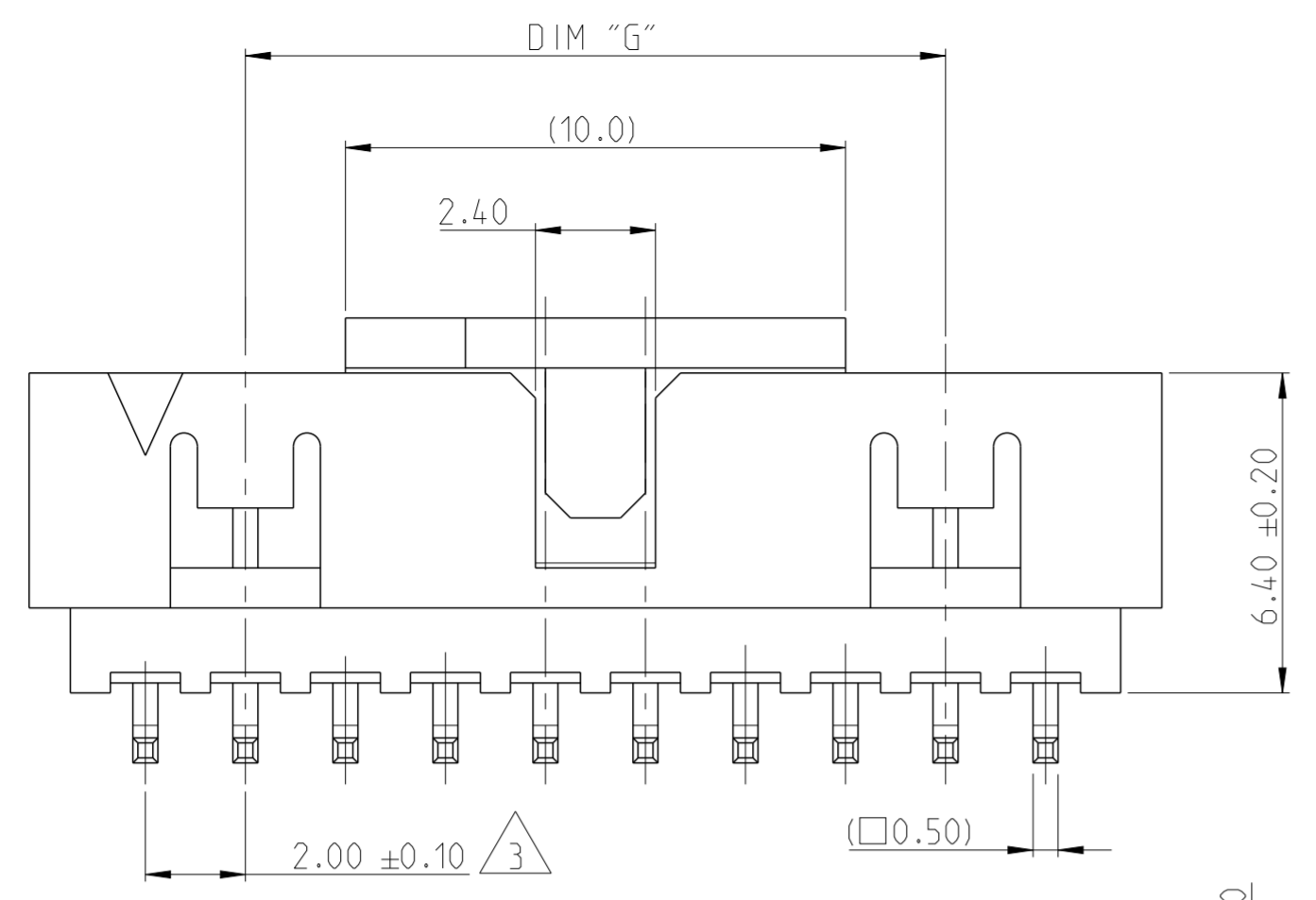
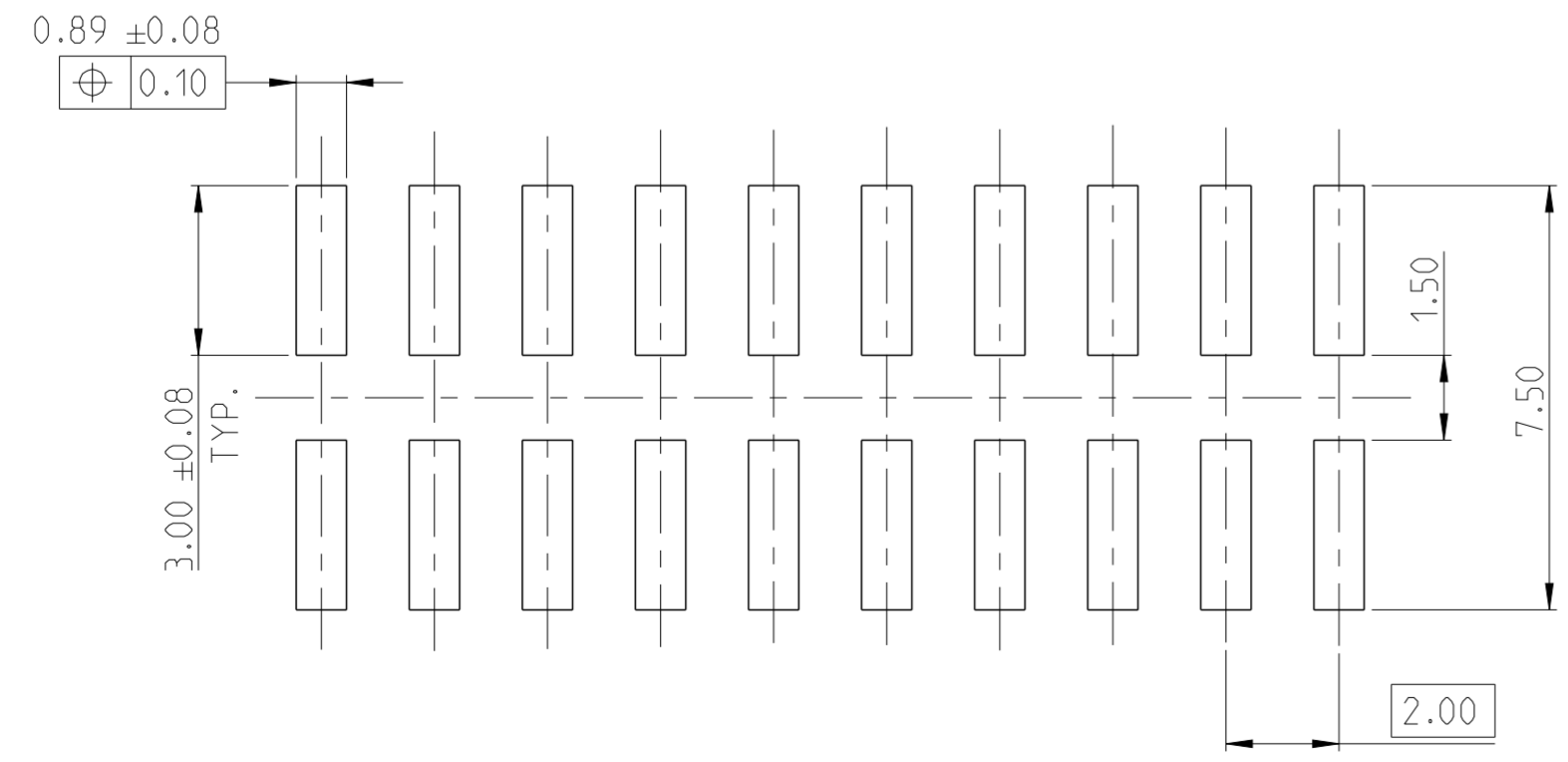
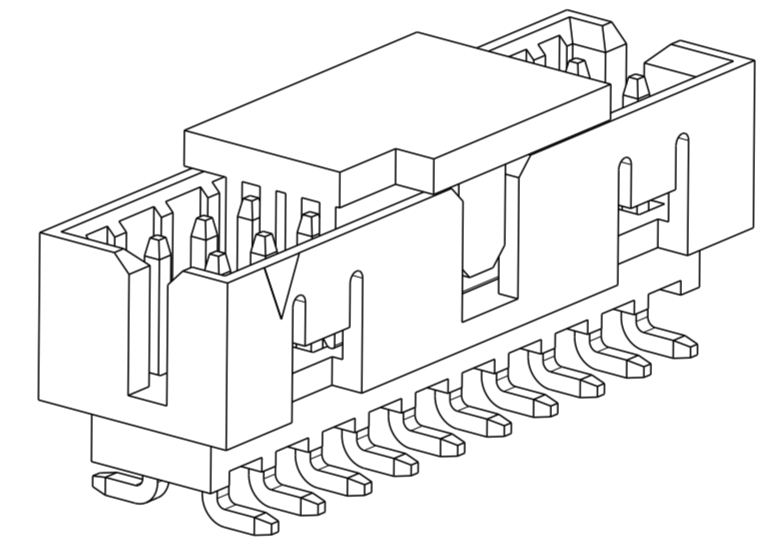
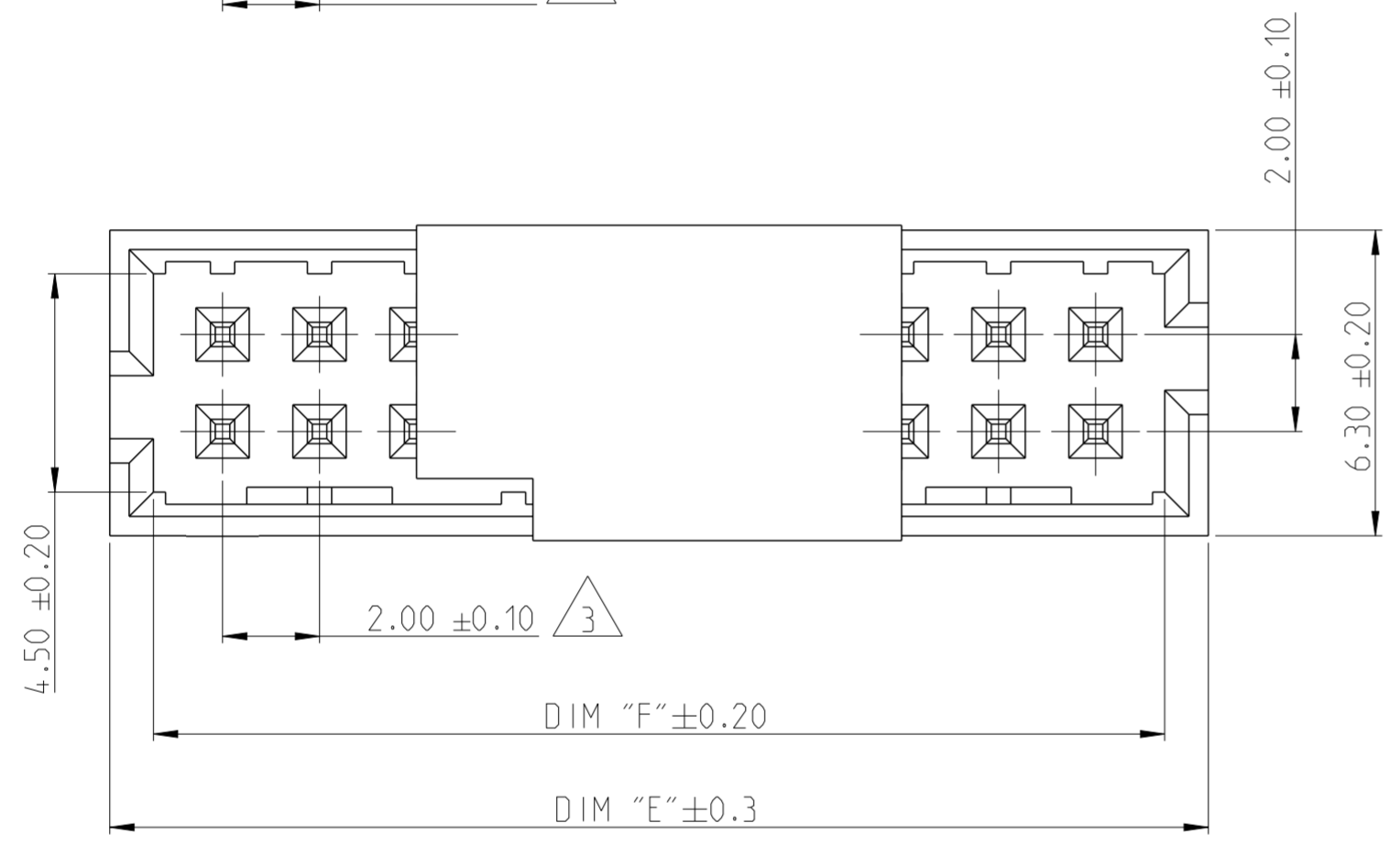


REVISIONS				
P	LTR	DESCRIPTION	DATE	APVD
A		RELEASE TO PRODUCTION	09DEC2019	AY PS
A1		DIMENSION F REMOVED FROM PCB LAYOUT	11JUN2020	AY PS



NOTES:  
 1. MATERIAL  
 HOUSING & P&P CAP : HIGH TEMPERATURE THERMOPLASTIC, UL94-V0; COLOR- BLACK  
 CONTACT PIN : COPPER ALLOY  
 FINISH : MIN. 2.0 µm TIN OVER NICKEL UNDER PLATING.  
 2. PACKAGING: TAPE AND REEL (WITH PICK AND PLACE CAP)  
 3. TOLERANCE NOT CUMULATIVE.



2-2842239-0 AS SHOWN

44	50.85	52.65	50	5-2842239-0
38	44.85	46.65	44	4-2842239-4
34	40.85	42.65	40	4-2842239-0
28	34.85	36.65	34	3-2842239-4
24	30.85	32.65	30	3-2842239-0
20	26.85	28.65	26	2-2842239-6
18	24.85	26.65	24	2-2842239-4
14	20.85	22.65	20	2-2842239-0
10	16.85	18.65	16	1-2842239-6
8	14.85	16.65	14	1-2842239-4
DIM "G" DIM "F" DIM "E"			POS.	TE PN.

PICK AND PLACE CAP	3
CONTACT PIN	2
HOUSING	1
DESCRIPTION	ITEM NO.

THIS DRAWING IS A CONTROLLED DOCUMENT.		DWN ANKIT YADAV 12NOV2019
DIMENSIONS: mm		CHK KARTHIK JK 25NOV2019
TOLERANCES UNLESS OTHERWISE SPECIFIED:		APVD PRASHANTH S. 27NOV2019
0 PLC ±	1 PLC ±	PRODUCT SPEC 108-64040
2 PLC ±0.25	3 PLC ±	APPLICATION SPEC 114-32259
4 PLC ±	ANGLES ±°	WEIGHT -
FINISH -		CUSTOMER DRAWING

TE Connectivity		NAME	
		AMPMODU 2mm, SHROUDED HEADER, DUAL ROW, VERTICAL SMD, SN, T/R WITH PICK AND PLACE CAP	
SIZE	CAGE CODE	DRAWING NO	RESTRICTED TO
A2	00779	C-2842239	-
SCALE 5:1		SHEET 1 OF 1	REV A1

单击下面可查看定价，库存，交付和生命周期等信息

[>>TE Connectivity\(泰科\)](#)