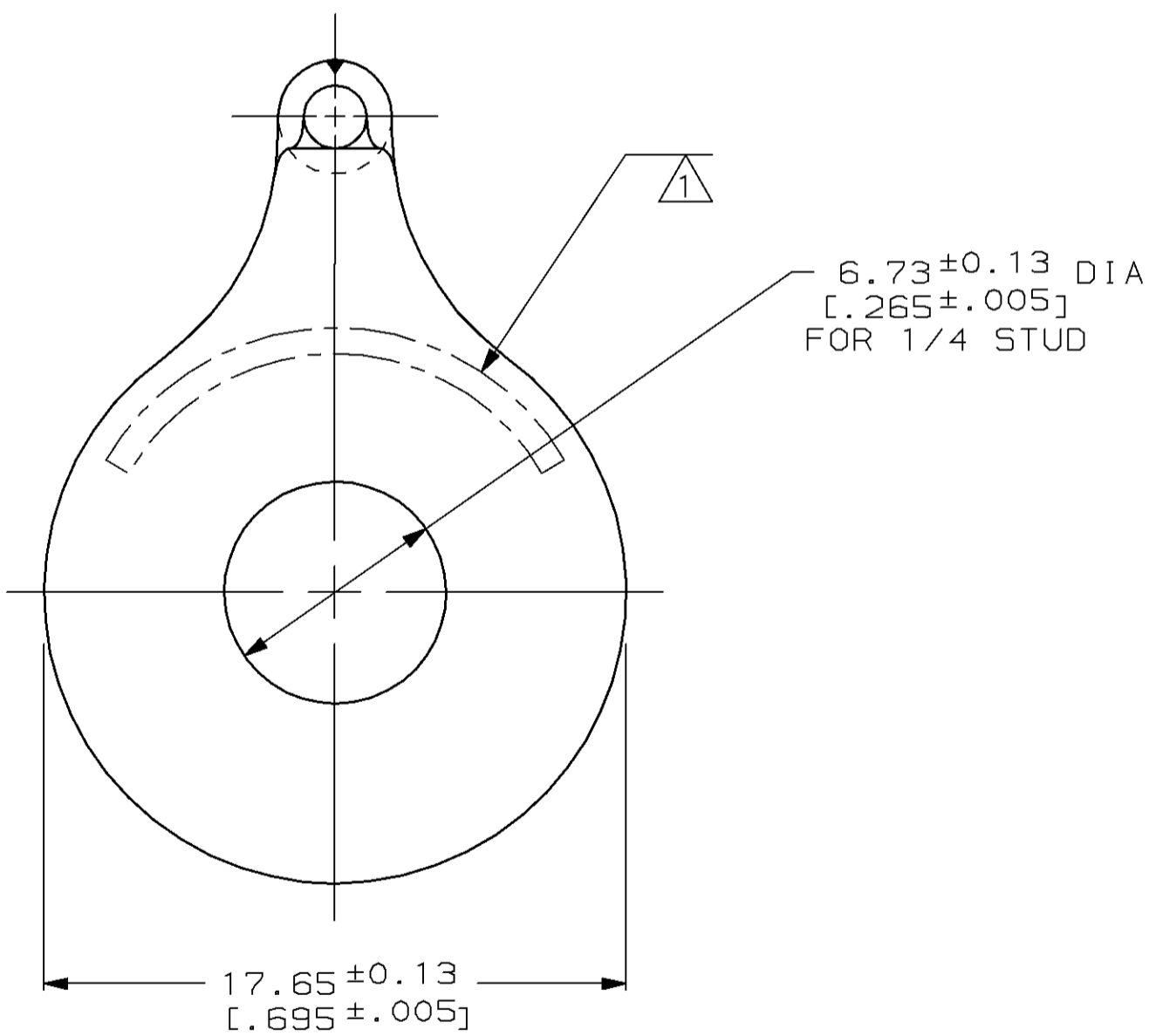
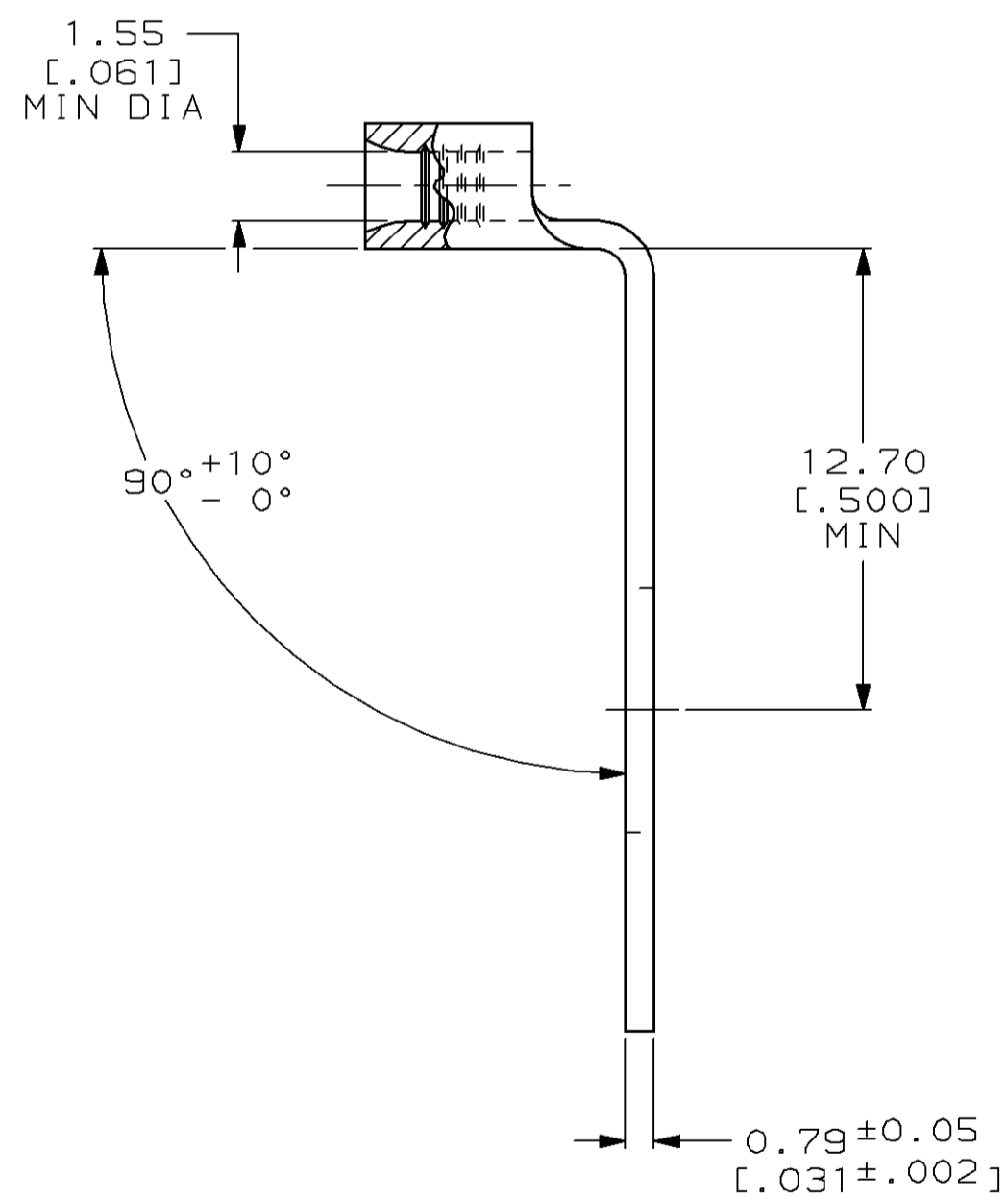
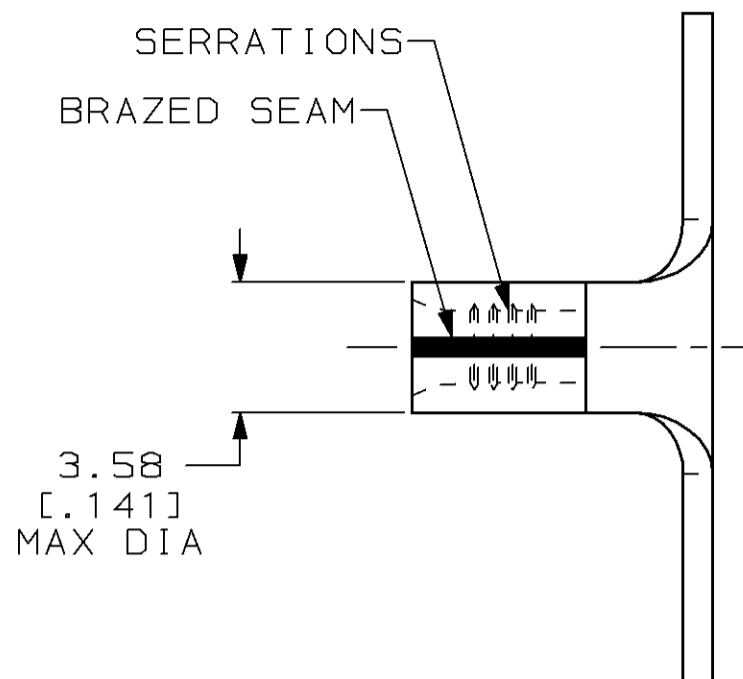


THIS DRAWING IS UNPUBLISHED. RELEASED FOR PUBLICATION
 BY AMP INCORPORATED. ALL RIGHTS RESERVED.

LOC	DIST	REVISIONS			
P	LTR	DESCRIPTION	DATE	DWN	APVD
G	14	F	REV / 0G10-0178-98	15JAN99	MLE MHB



AMP WIRE RANGE	UL E13288 Listed
22-16 AWG SOLID OR STRANDED	NOT LISTED
SR LR7189 Certified	MILITARY P/N AND CLASS
NOT CERTIFIED	NOT APPLICABLE

328965
AMP
PART NUMBER

AMP INCORPORATED
CUSTOMER SERVICE SYSTEMS

RECOMMENDED OPERATING TEMPERATURE:
170°C MAX

FOR ADDITIONAL PRODUCT INFORMATION OR COPIES OF DRAWINGS AND TECHNICAL DOCUMENTS

PRODUCT INFORMATION CENTER
1-800-522-6752

VOLTAGE RATING:
NOT APPLICABLE

FOR APPLICATION TOOLING INFORMATION

TOOLING ASSISTANCE CENTER
1-800-722-1111

WIRE CROSS SECTIONAL AREA RANGE:
0.26-1.65mm² [509-3,260] CIR MILS
SOLID OR STRANDED

FOR ORDER ENTRY

1-800-526-5142

THIS DRAWING IS A CONTROLLED DOCUMENT FOR AMP INCORPORATED. IT IS SUBJECT TO CHANGE AND THE CONTROLLING ENGINEERING ORGANIZATION SHOULD BE CONTACTED FOR THE LATEST REVISION.		DWN DK SCHRUM 20FEB98	AMP Incorporated Harrisburg, PA 17105-3608
DIMENSIONS: mm [INCHES]		CHK MH BRENNEMAN 20FEB98	
TOLERANCES UNLESS OTHERWISE SPECIFIED:		APVD TJ MICHIELUTTI 20FEB98	
0 PLC ±- 1 PLC ±- 2 PLC ±0.20 [.008] 3 PLC ±- 4 PLC ±- ANGLES ±-		NAME	
MATERIAL: COPPER PER ASTM B-152 ANNEALED		FINISH: TIN PLATE 0.00254 [.00100] MIN THK PER ASTM B-545	PRODUCT SPEC
		APPLICATION SPEC	SIZE A2
		WEIGHT	CAGE CODE 00779
		CUSTOMER DRAWING	DRAWING NO C-328965
			SCALE 5:1 SHEET 1 OF 1 REV F

单击下面可查看定价，库存，交付和生命周期等信息

[>>TE Connectivity\(泰科\)](#)