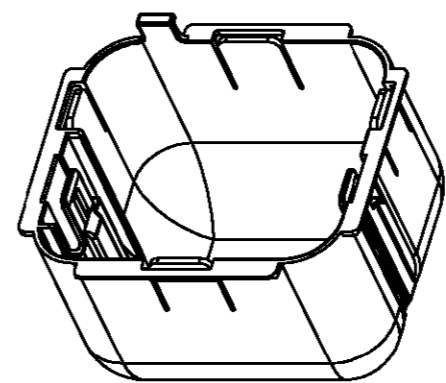
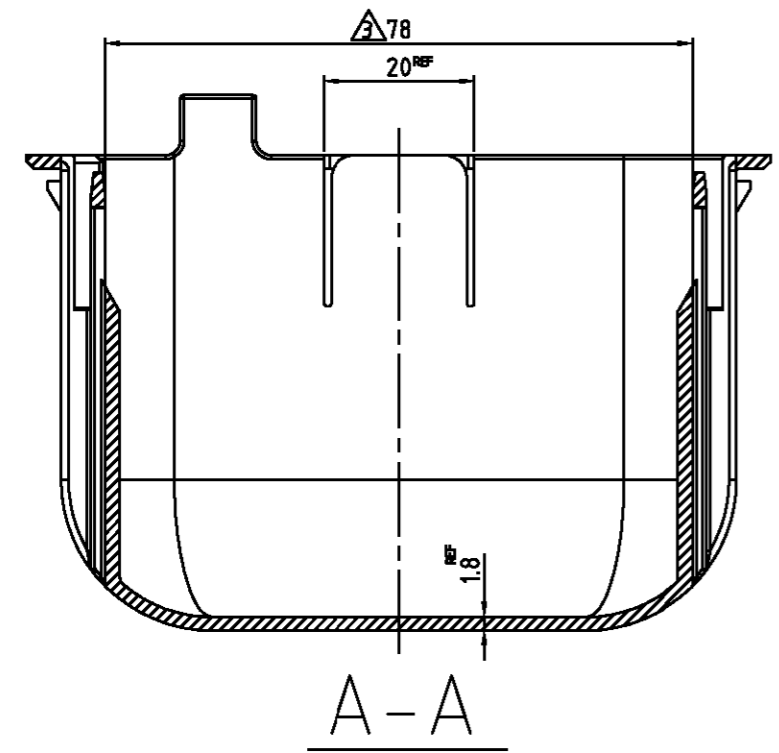
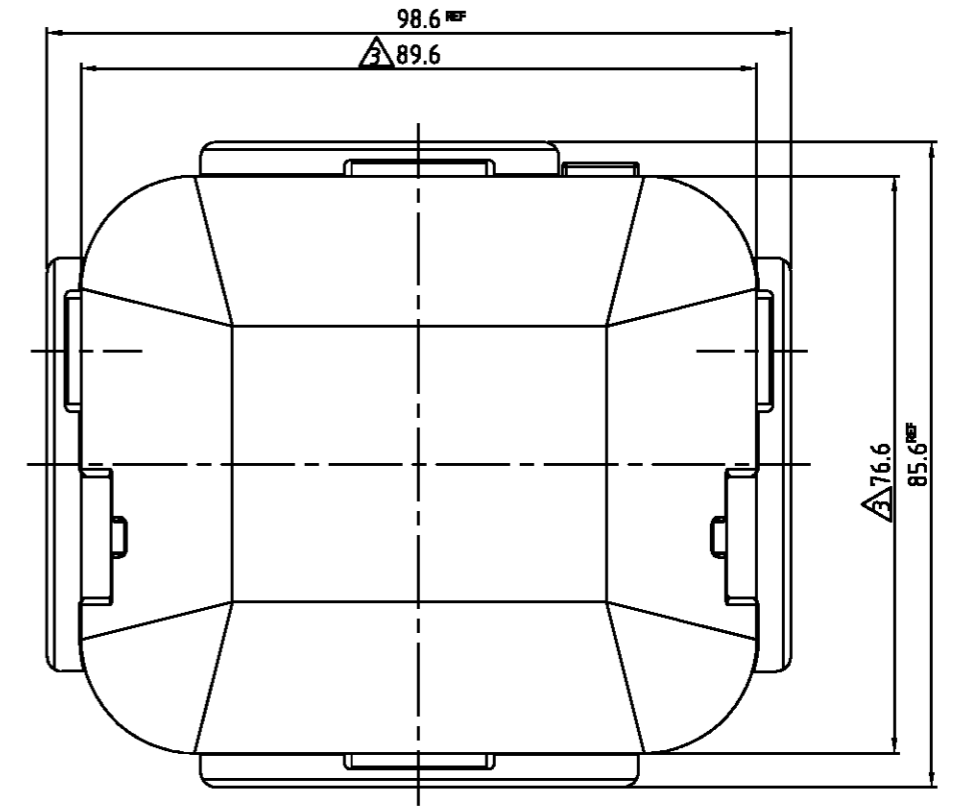
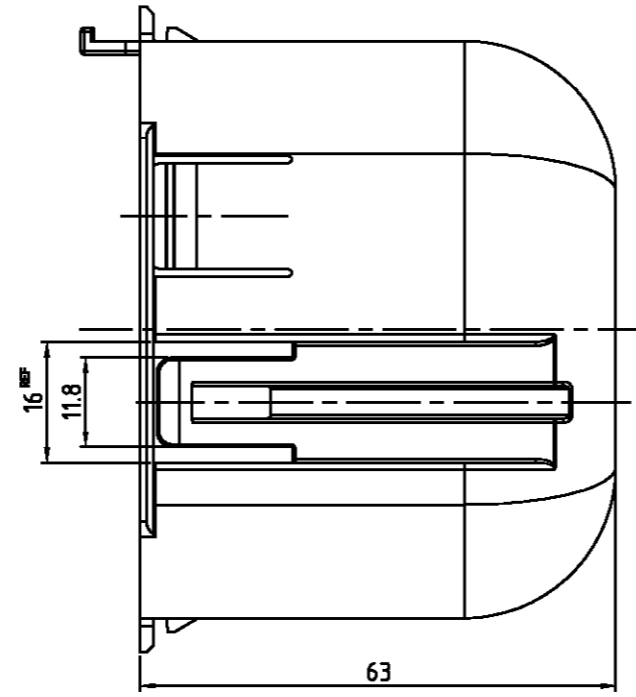
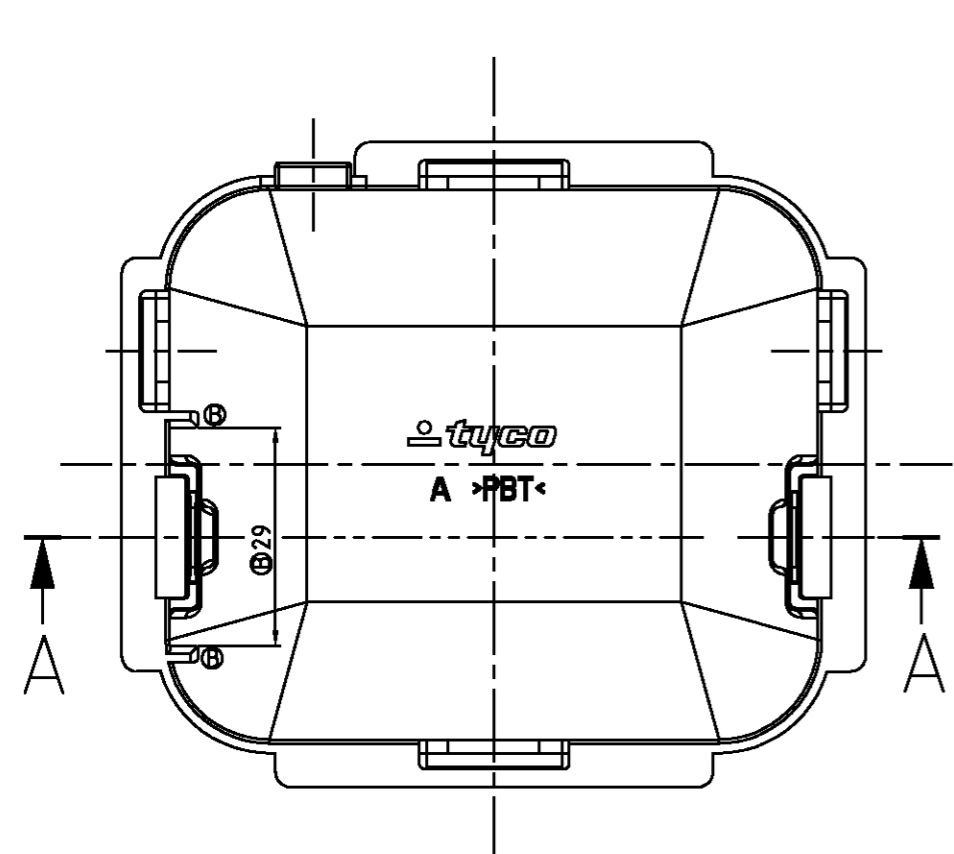


THIS DRAWING IS UNPUBLISHED. RELEASED FOR PUBLICATION

© COPYRIGHT BY TYCO ELECTRONICS CORPORATION. ALL RIGHTS RESERVED.

LOC	DIST	REVISIONS					
		P	LTR	DESCRIPTION	DATE	DWN	APVD
DS			A	RELEASED	08/DEC/05	YH	JK
			B	REVISED (ECR-06-021016)	16/AUG/06	YH	JK



SCALE 1:2

- NOTE.
1. GENERAL TOLERANCE IS ± 0.3 , $\pm 3^\circ$
 2. MATING PLUG ASS'Y P/N : 1743251
- Δ WARPAGE IS PERMITTED MAX 1.0mm

1743411-2	PBT	BLACK
P/N	MATERIAL	COLOR

<small>THIS DRAWING IS A CONTROLLED DOCUMENT FOR TYCO ELECTRONICS CORPORATION. IT IS SUBJECT TO CHANGE AND THE CONTROLLING ENGINEERING ORGANIZATION SHOULD BE CONTACTED FOR THE LATEST REVISION.</small>		DWN :YH MA CHK :YH CHOI		tyco Electronics		AMP KOREA. kyungsan, korea	
DIMENSIONS: mm		TOLERANCES UNLESS OTHERWISE SPECIFIED: SEE NOTE		NAME 1.5/2.8mm HYBRID 92P BOX COVER HSG		RESTRICTED TO	
3rd ANGLE PROJECTION		MATERIAL		FINISH		WEIGHT	
SIZE A3		CAGE CODE 00779		DRAWING NO 1743411		CUSTOMER DRAWING	
SCALE 1/1		SHEET 1 OF 1		REV B		1743411-2	

单击下面可查看定价，库存，交付和生命周期等信息

[>>TE Connectivity\(泰科\)](#)