

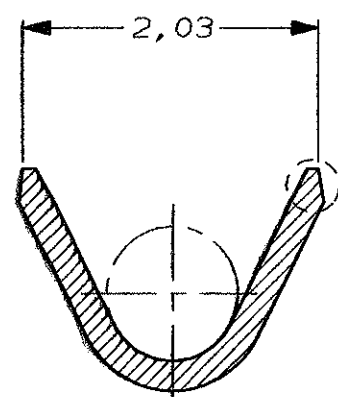
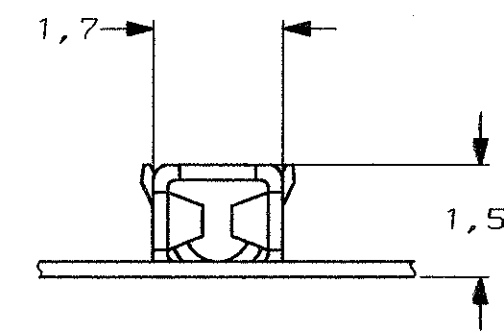
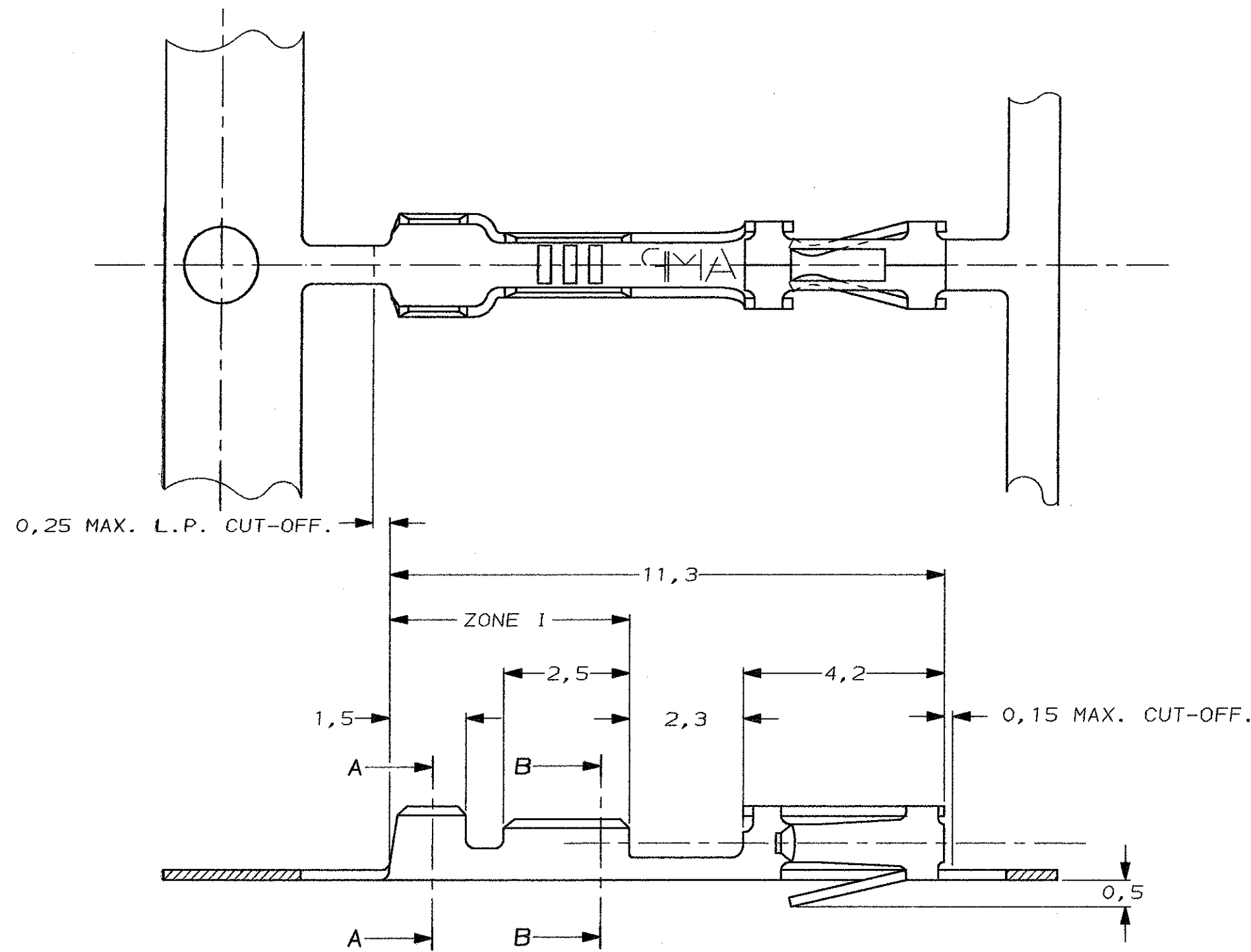
DO NOT SCALE  
DIMENSIONS IN mm

METRIC

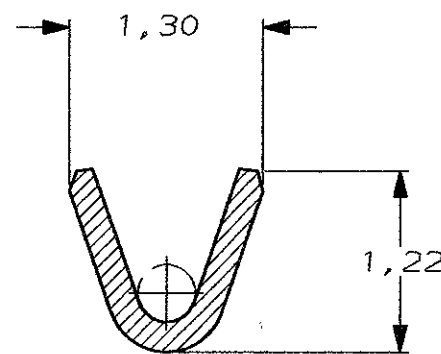
THIRD ANGLE  
PROJECTION

NOTES:

- 1 REVERSE REELING FOR USE WITH MINI-APPLICATOR.
- 2 CRIMPING SPECIFICATION 114-25003.
- △ PREPLATED STOCK 0,8µm MIN. GOLD ON CONTACT AREA OVER 1,25µm MIN. NICKEL OVERALL. ZONE I: 0,5µm MIN. GOLDFLASH.
- △ PREPLATED STOCK 0,8µm MIN. GOLD ON CONTACT AREA OVER 1,25µm MIN. NICKEL OVERALL. GOLDFLASH ON REMAINDER.
- 5 WIRE RANGE: 28-32 AWG.



SECTION A-A  
SCALE 20:1



SECTION B-B  
SCALE 20:1

	SEL. Au/Au FLASH	△ 4	167023-2	167020-2
	SEL. Au/Au FLASH	△ 3	167023-1	167020-1
	FINISH		LOOSE PIECE NR.	PARTNUMBER
-	-	-	-	-
-	-	-	-	-
-	-	-	-	-
-	-	-	-	-
-	-	-	-	-
B	EH-2039-98	JvL JvL	03-12-98	
A	EH-0491-93	JvdH D.S.	10-07-93	
LTR.	REVISION RECORD	DR. CHK. DATE		
DR. J.V.D.HEIJDEN	CHK. J.V.LIEMPT	APP. E.LEIJTENS	DWG.No. C-167020	REV.LTR. B
DATE: 10-07-93	DATE: 19-07-93	DATE: 19-07-93		SHEET 1 OF 1

**CUSTOMER DRAWING** FOR REFERENCE ONLY WILL NOT BE UPDATED  
 © COPYRIGHT 19- BY AMP HOLLAND B.V.  
 ALL INTERNATIONAL RIGHTS RESERVED. AMP PRODUCTS MAY BE COVERED BY U.S. AND FOREIGN AND/OR PATENTS PENDING.  
 THIS DRAWING IS UNPUBLISHED RELEASED FOR PUBLICATION  
**AMP** AMP HOLLAND B.V. 's-Hertogenbosch, The Netherlands.

AMP MODU MOD. IV  
RECEPTACLE, STRIP.

单击下面可查看定价，库存，交付和生命周期等信息

[>>TE Connectivity\(泰科\)](#)