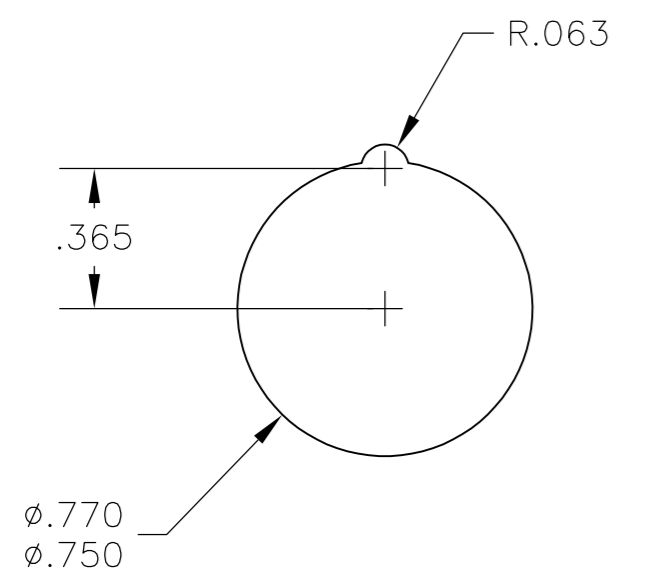
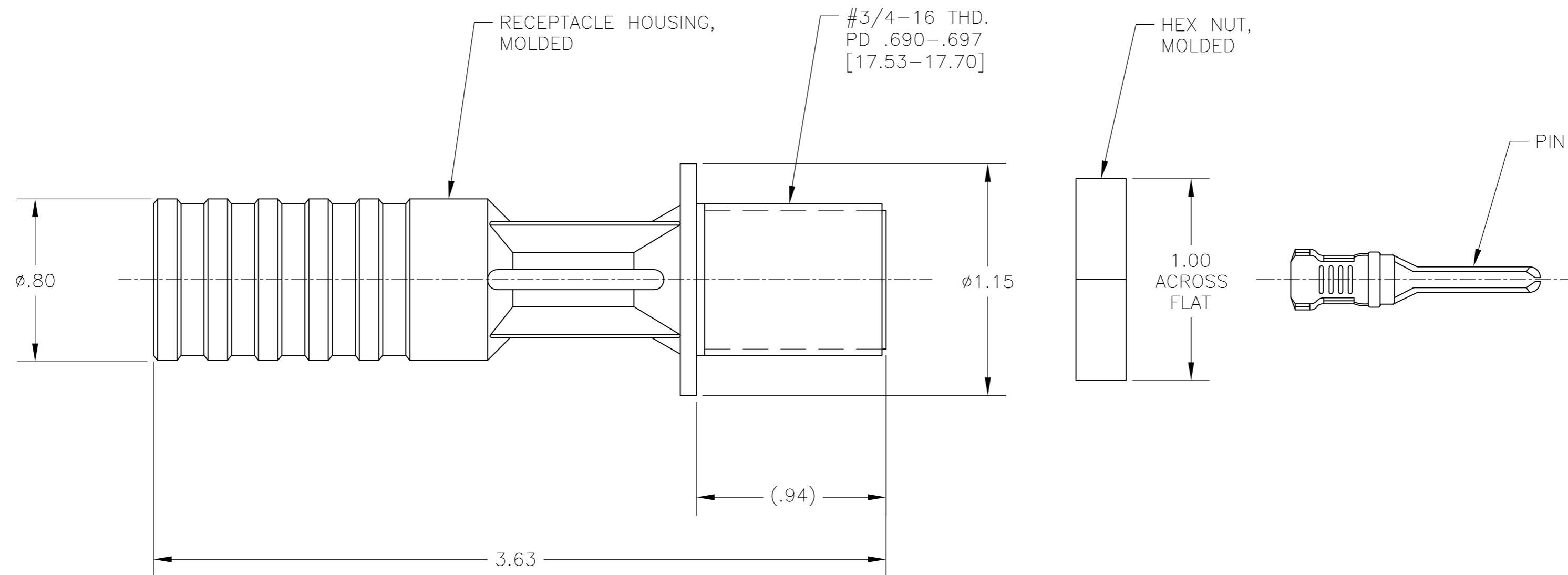


THIS DRAWING IS UNPUBLISHED. RELEASED FOR PUBLICATION
 © COPYRIGHT - By - ALL RIGHTS RESERVED.

REVISIONS				
P	LTR	DESCRIPTION	DATE	APVD
F		REV PER ECO 16-000922	2-16-16	CT DM

1. EXTRACTION TOOL #863558-1.
2. NUT AND PIN CONTACT SUPPLIED WITH KIT UNASSEMBLED.



RECOMMENDED PANEL CUTOUT

90145-2	66261-5	16	5-863350-3
90145-1	66261-5	12-14	5-863350-2
90140-1	66259-5	10	5-863350-1
90145-2	66261-1	16	863350-3
90145-1	66261-1	12-14	863350-2
90140-1	66259-1	10	863350-1
DIE INSERT NO.'S HAND TOOL 69710-1 OR PNEUMATIC TOOL 69365	PIN NO.	WIRE SIZE RANGE (AWG)	PART NO.
THIS DRAWING IS A CONTROLLED DOCUMENT.	DWN J. KAISER 10-20-03 CHK D.EABY 10-20-03 APVD D.EABY 10-20-03	TE Connectivity	
DIMENSIONS: INCHES	TOLERANCES UNLESS OTHERWISE SPECIFIED:	NAME KIT, CSL RECEPTACLE, LGH	
	0 PLC ± - 1 PLC ± - 2 PLC ± .02 3 PLC ± .005 4 PLC ± - ANGLES ± - FINISH -	PRODUCT SPEC - APPLICATION SPEC - WEIGHT 0	SIZE A2 CAGE CODE 00779 DRAWING NO. C=863350 RESTRICTED TO -
MATERIAL -	FINISH -	CUSTOMER DRAWING	SCALE 2:1 SHEET 1 of 1 REV F

863350

单击下面可查看定价，库存，交付和生命周期等信息

[>>TE Connectivity\(泰科\)](#)