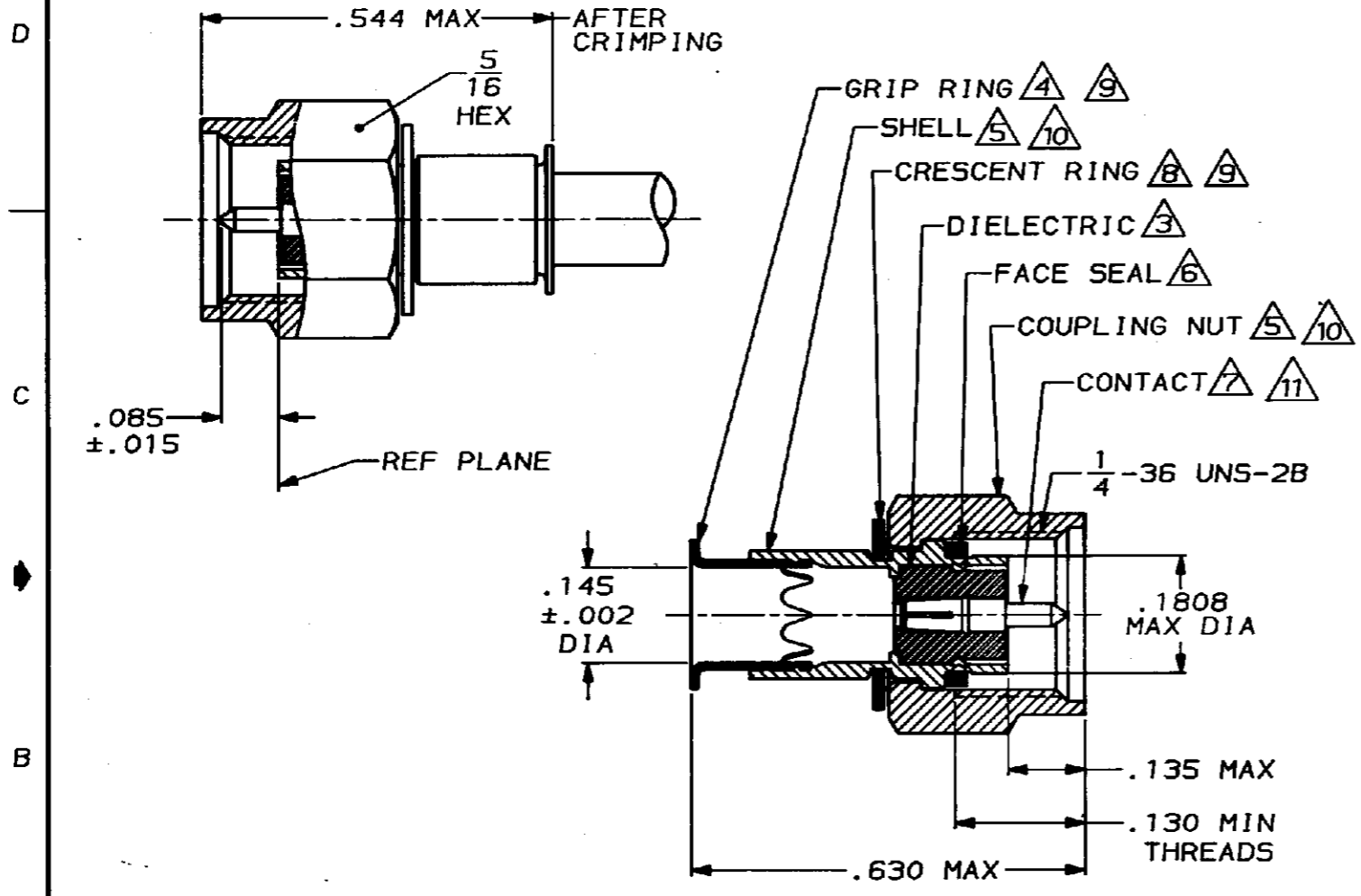


DRAWING MADE IN THIRD ANGLE PROJECTION

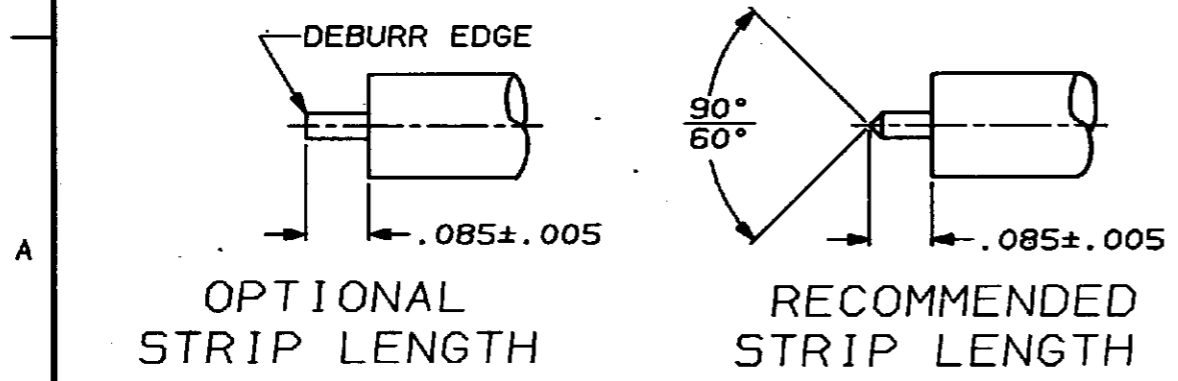
THIS DRAWING IS UNPUBLISHED. RELEASED FOR PUBLICATION ,19

© COPYRIGHT 19 BY AMP INCORPORATED, HARRISBURG, PA. ALL INTERNATIONAL RIGHTS RESERVED. AMP PRODUCTS MAY BE COVERED BY U.S. AND FOREIGN PATENTS AND/OR PATENTS PENDING.

MOD	LOC	DIST	P	F	REVISIONS				
9	AJ	16			ZONE	LTR	DESCRIPTION	DATE	APPROVED
					B		REDWN & REV PER AJ-2377	7/16/87	KV/mS



- FOR USE WITH: RG-402/U, .141 SEMI RIGID CABLE
- SEE I.S. 6788
- PTFE PER MIL-P-19468
- BRASS PER MIL-C-50
- STAINLESS STEEL PER ASTM-A-582
- SILICONE RUBBER PER ZZ-R-765
- BERYLLIUM COPPER PER QQ-C-530
- BERYLLIUM COPPER, ALLOY #25
- NICKEL PL PER QQ-N-290
- PASSIVATED PER QQ-P-35
- GOLD PL PER MIL-G-45204
- 00779 M39012/79-3308
- .500 MIN LENGTH OF STRAIGHT CABLE REQUIRED TO APPLY THE CONNECTOR



UNLESS OTHERWISE SPECIFIED DIMENSIONS ARE IN INCHES TOLERANCES ON:		DR <i>[Signature]</i> 7-16-87		228634-1	
2 PL DEC ± _____		CHK <i>[Signature]</i> 7/16/87		PART NO	
3 PL DEC ± _____		APPD <i>[Signature]</i> 7/16/87		AMP INCORPORATED	
ANGLES ± _____		APPD <i>[Signature]</i> 7/16/87		Harrisburg, Pa. 17105	
MATERIAL		PRODUCT SPEC		NAME	
3 THRU 7		108-12055		PLUG, MIL-F, SERIES SMA	
FINISH		APPLICATION SPEC		SIZE	FSCN NO
9 THRU 11				B	00779
		WEIGHT		DRAWING NO	
				228634-1	
				SCALE	SHEET
				5:1	1 OF 1

AMP 1470-15 REV 10-84

CUSTOMER DRAWING

单击下面可查看定价，库存，交付和生命周期等信息

[>>TE Connectivity\(泰科\)](#)