

4

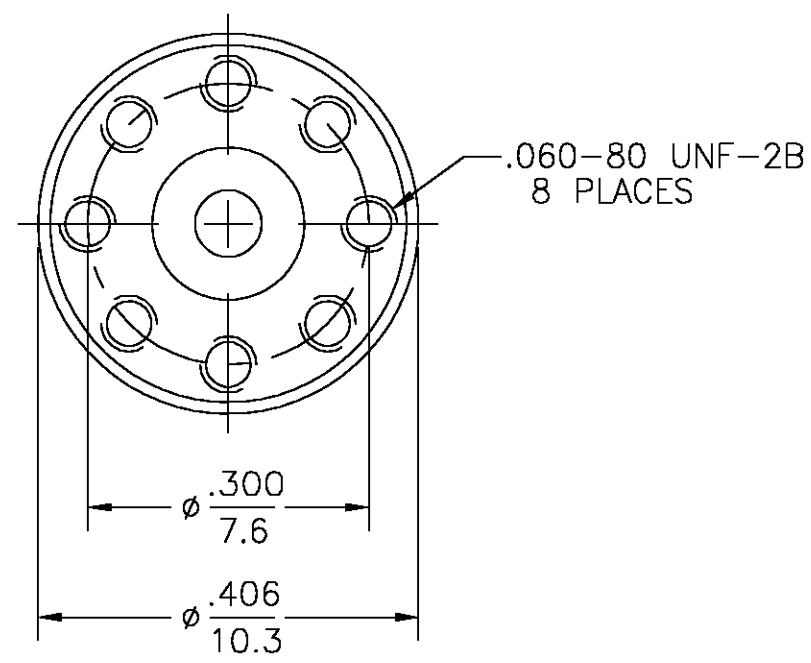
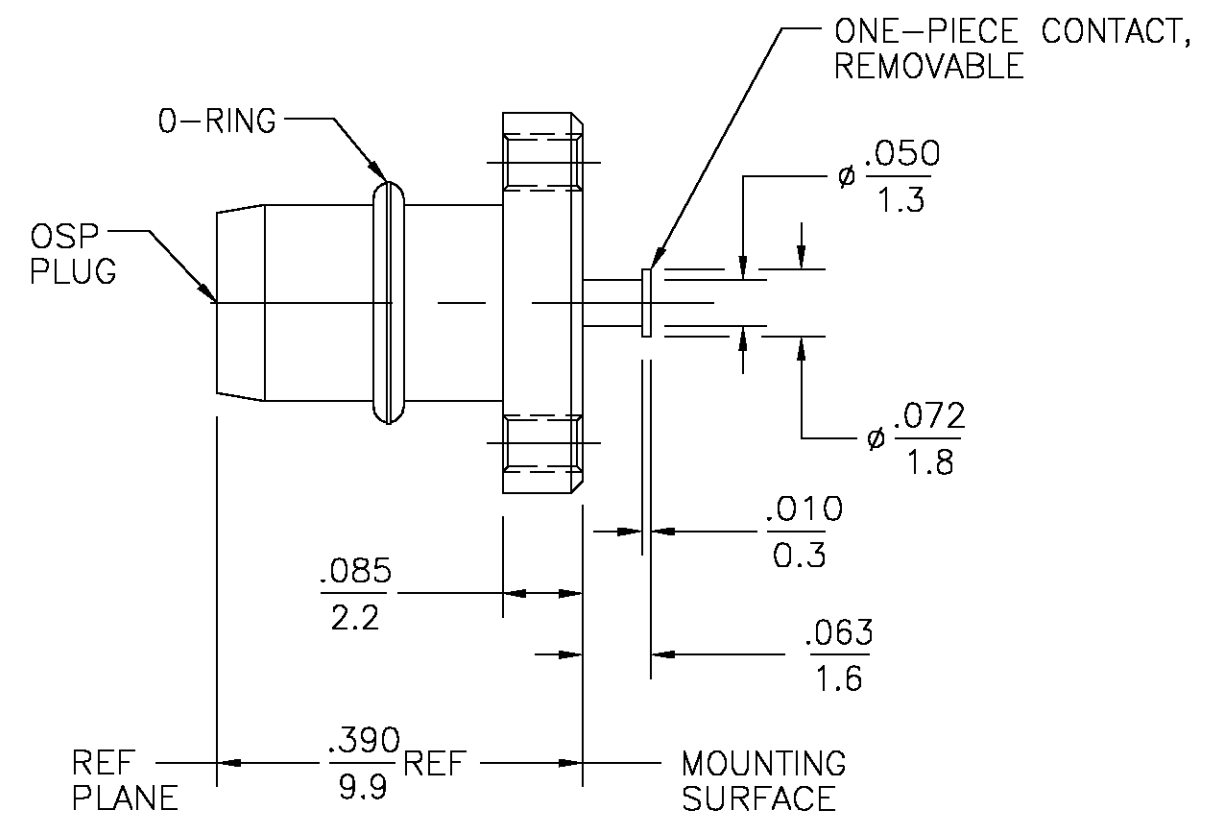
3

2

1

THIS DRAWING IS UNPUBLISHED. RELEASED FOR PUBLICATION
 © COPYRIGHT BY TYCO ELECTRONICS CORPORATION. ALL RIGHTS RESERVED.

LOC	DIST	REVISIONS				
P	LTR	DESCRIPTION	DATE	DWN	APVD	
HC	00	C	RDW & REV PER OS14-0136-04	06-23-04	JDP	JGH



ELECTRICAL	MECHANICAL	ENVIRONMENTAL
NOMINAL IMPEDANCE (OHMS) 50 ± 1	Interface Dimensions Per MIL-STD-348A FIG 321-1	TEMPERATURE RATING -65° TO $+125^{\circ}$ C
Frequency Range (GHz) DC to 18	Mating Characteristics:	Vibration MIL-STD-202, Method 204, Condition D
Volt Rating (VRMS MAX) @ Sea Level 335	Insertion (MAX Lbs) N/A	Shock MIL-STD-202, Method 213, Condition I
VSWR $1.05 \pm .005f(\text{GHz})$ DC to 18 GHz	Withdrawal (MIN Oz) N/A	Thermal Shock MIL-STD-202, Method 107, Condition B
Insertion Loss (dB MAX) $.03x \sqrt{f(\text{GHz})}$	Force to Engage (In/Lbs MAX) 3	Moisture Resistance MIL-STD-202, Method 106
RF Leakage (dB MIN) (Interface Only, Fully Mated) $-(90-f(\text{GHz}))$	& Disengage (In/Lbs MAX) 1.5	Corrosion - MIL-STD-202, Method 101, Condition B
Corona, 70,000 Ft (VRMS MIN) 250	Center Contact Captivation	
Dielectric Withstanding Voltage (VRMS MIN) @ Sea Level 1000	Axial (Lbs) 0	
Contact Resistance (Milliohms MAX) Center Contact 2.0	Cable Retention	
Outer Contact 2.0	Axial Force (Lbs MIN) N/A	
RF High Potential @ Sea Level (VRMS MIN @ 5 MHz) 670	Torque (In/Oz MIN) N/A	
I.R.(Megohms MIN) 5000		

.XXX = in
XX.X = mm (REF)

FINISH	MATERIAL	COMPONENT
-	FLUOROSILICONE PER MIL-R-25988, CLASS I, TYPE I.	O-RING
GOLD PLATE PER ASTM-B488	BRASS PER ASTM-B16	CENTER CONTACT
-	PTFE FLUOROCARBON PER ASTM-D-1457.	DIELECTRIC
PASSIVATE PER QQ-P-35	SST PER ASTM-A484 AND ASTM-A582, TYPE 303.	HOUSING

THIS DRAWING IS A CONTROLLED DOCUMENT.		DWN K.C.M. 01-27-88	tyco Tyco Electronics Corporation	
		CHK M.H.M. 02-15-88	Harrisburg, Pa 17105-3608	
		APVD B.A.R. 02-15-88	NAME	
DIMENSIONS: INCHES		OSP STRIPLINE SURFACE LAUNCH PLUG		
TOLERANCES UNLESS OTHERWISE SPECIFIED:		TURRET TERMINAL (4567-1322-02)		
0 PLC $\pm -$		SIZE	CAGE CODE	DRAWING NO
1 PLC $\pm -$		A3	00779	C-1059700-1
2 PLC $\pm -$		RESTRICTED TO		
3 PLC $\pm .005$				
4 PLC $\pm -$				
ANGLES $\pm 1^{\circ}$				
MATERIAL SEE TABLE	FINISH SEE TABLE	WEIGHT -	CUSTOMER DRAWING	
		SCALE 5:1	SHEET 1 OF 1	REV C

单击下面可查看定价，库存，交付和生命周期等信息

[>>TE Connectivity\(泰科\)](#)