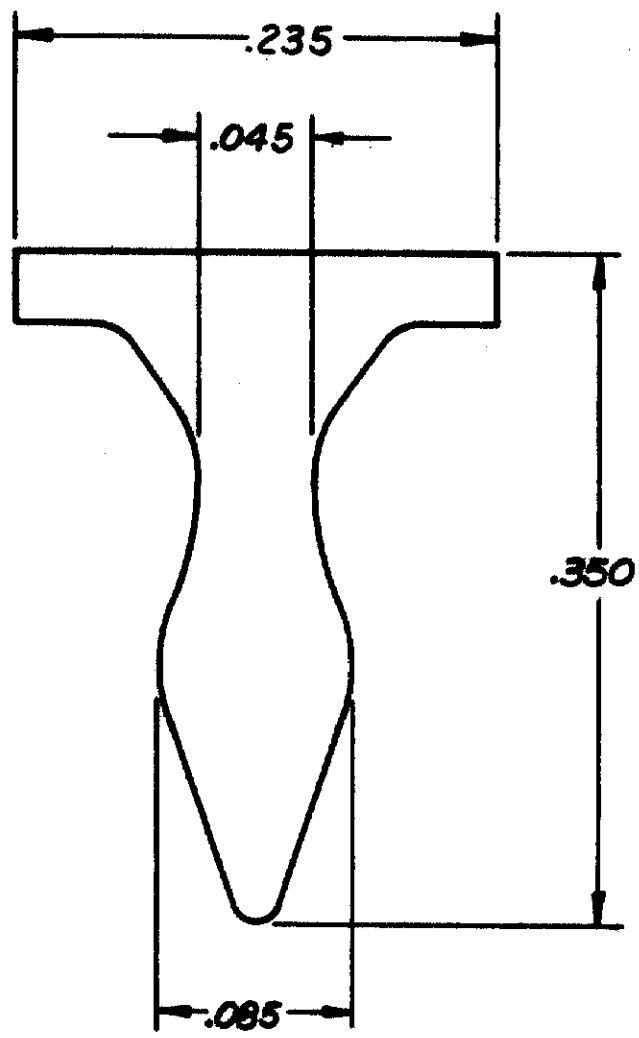


THIS DRAWING IS UNPUBLISHED. RELEASED FOR PUBLICATION MAY 7, 1982.

© COPYRIGHT 1982 BY AMP INCORPORATED, HARRISBURG, PA. ALL INTERNATIONAL RIGHTS RESERVED. AMP PRODUCTS MAY BE COVERED BY U.S. AND FOREIGN PATENTS AND/OR PATENTS PENDING.

| REVISIONS | | | | | |
|-----------|---|-----|-----------------------|--------|----------|
| P | F | LTR | DESCRIPTION | DATE | APPROVED |
| ✓ | ✓ | 0 | REL PER NPS 202-14270 | 5-7-82 | MB |



-1 AS SHOWN

UNLESS OTHERWISE SPECIFIED DIMENSIONS ARE IN INCHES.
 TOLERANCES ON:
 DECIMALS ±.005
 ANGLES ±

MATERIAL
NYLON TYPE 66
 .070 THK

FINISH

CONTRACT NO

DR *M Bowers 5-7-82*

CHK *[Signature] 12 MAY '82*

APPD *N. Albert 5-18-82*

APPD *M Bowers 5/11/82*

DSGN APPD

OTHER APPD

AMP | AMP INCORPORATED
 Harrisburg, Pa. 17105

NAME
KEY POLARIZING

SIZE **A** FSCM NO **00779** DRAWING NO **645089**

SCALE SHEET

单击下面可查看定价，库存，交付和生命周期等信息

[>>TE Connectivity\(泰科\)](#)