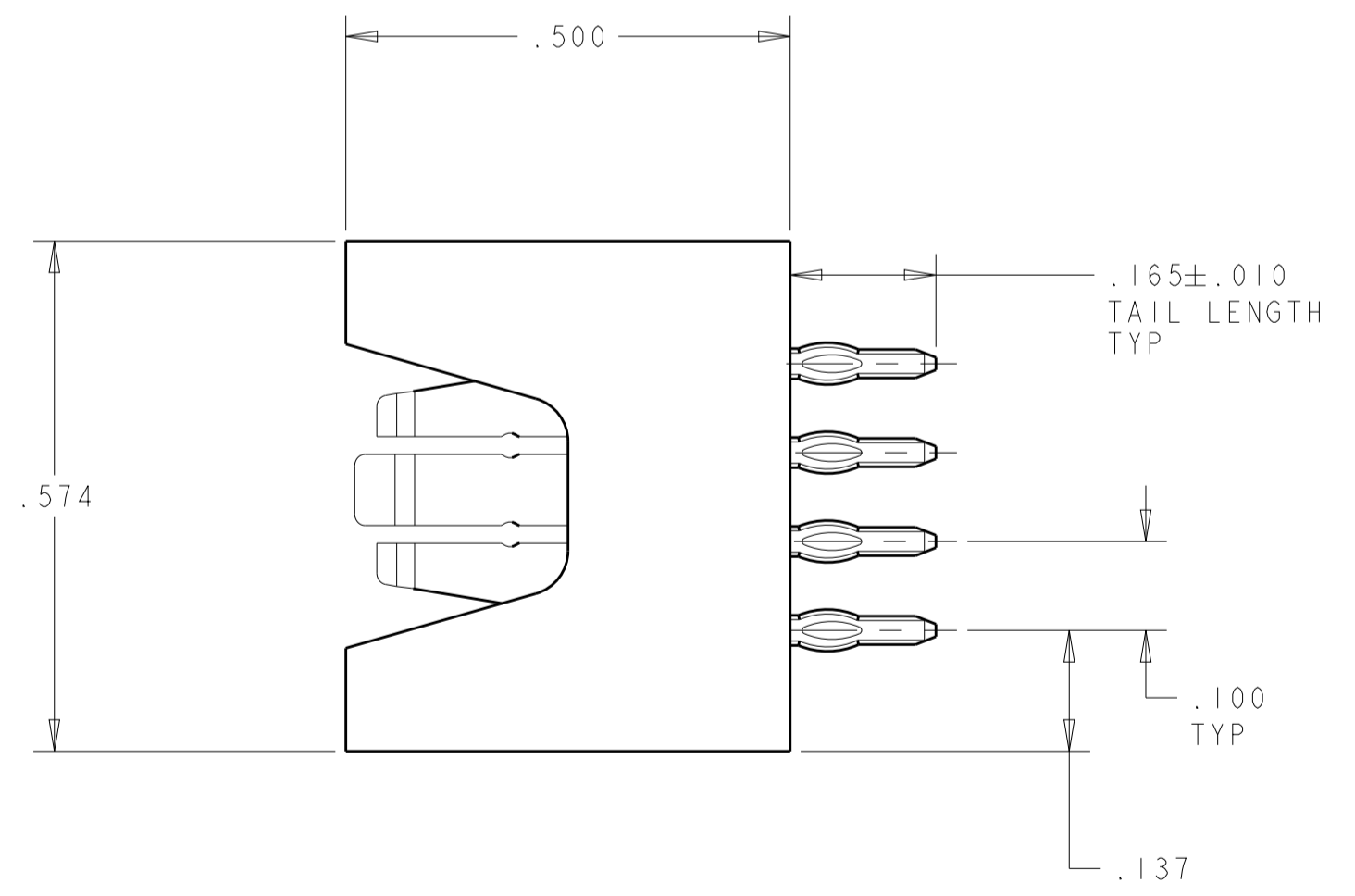
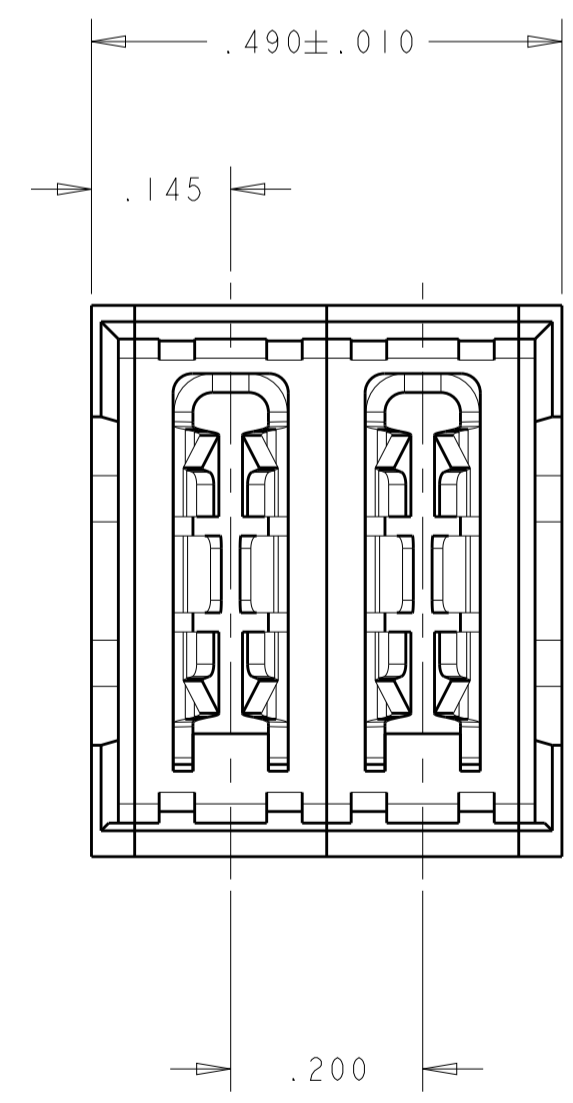
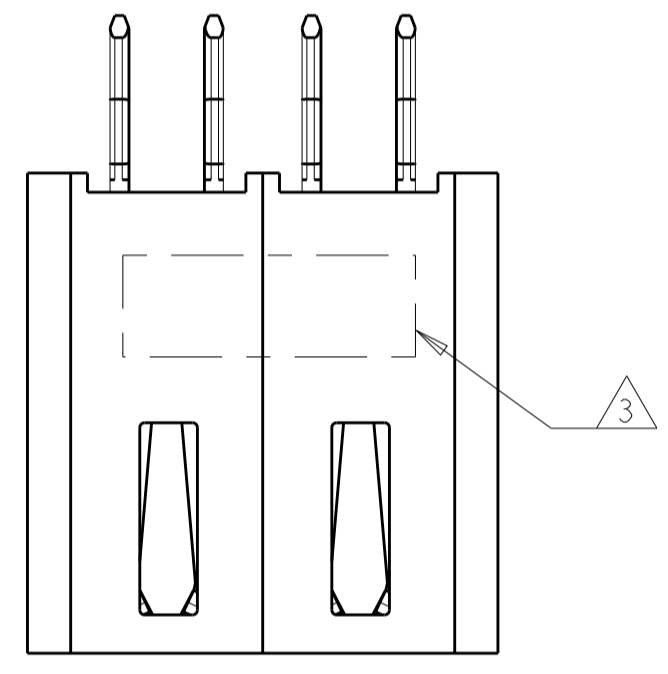
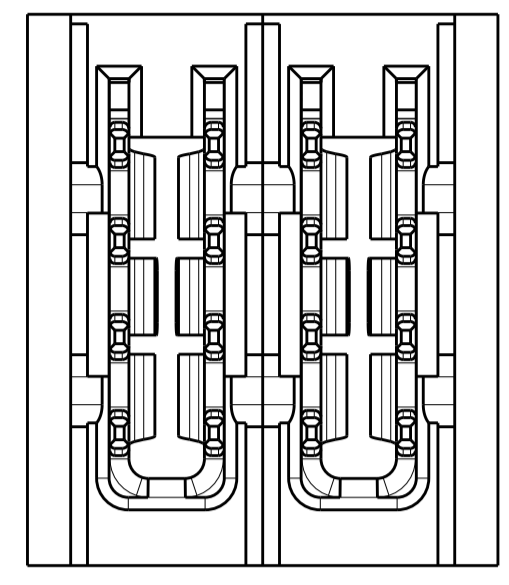


| LOC | | DIST | | REVISIONS | | | |
|-----|--|------|--|--------------------------|-----------|----|------|
| ES | | 00 | | REV | DATE | BY | APPV |
| A | | | | DESIGN INITIAL | 26SEP2011 | ML | SZ |
| A1 | | | | ADDED NEW DASH NUMBER -2 | 30AUG2012 | CZ | SZ |
| A2 | | | | REV PER ECR-12-015720 | 06SEP2012 | CZ | SZ |



- 1 HEADER HOUSING: THERMO PLASTIC, BLACK, UL94 V-0; CONTACTS AND RETENTION CLIPS: COPPER ALLOY.
- 2 CONTACT FINISHE: CONFORMS TO THE REQUIREMENTS OF TE CONNECTIVITY PRODUCT SPECIFICATION 108-2292 ON THE MATING INTERFACE, TIN AT PCB INTERFACE
- 3 "AMP", PART NUMBER AND DATE CODE MARKED IN THIS AREA. PARTS UNDER 2.50 LONG MAY BE MARKED ON BOTH SIDES.
- 4 DATUM AND BASIC DIMENSIONS ESTABLISHED BY CUSTOMER.
- 5 PCB - ALL HOLE DIAMETERS ARE FINISHED HOLE SIZES.
- 6 A SEATING TOOL IS REQUIRED TO SEAT THE HEADER ON THE P.C. BOARD. PLEASE REFER TO THE 114-13038 APPLICATION SPEC.
- 7 MECHANICAL CONNECTOR KEEP OUT ZONE.
- 8 FOR CONFRIGURATION LP/S/LP, DIMENSIONS PLEASE SEE PAGE 2.

| | | | | | | |
|--------|-------|-------|-------|-------|-----------------|-------------|
| 1.2675 | .260 | - | .1025 | 1.370 | ILP + 40S + ILP | 6450829-2 |
| - | - | .200 | .145 | .490 | 2HDP | 6450829-1 |
| DIM R | DIM W | DIM S | DIM K | DIM L | DESCRIPTION | PART NUMBER |

THIS DRAWING IS A CONTROLLED DOCUMENT. DWG: MAC.LIU 26SEP2011
 CHK: S.ZHAO 26SEP2011
 APVD: S.ZHAO

STE TE Connectivity

NAME: VERTICAL HEADER W/O END MODULES PRESS FIT, MULTI-BEAM XLE

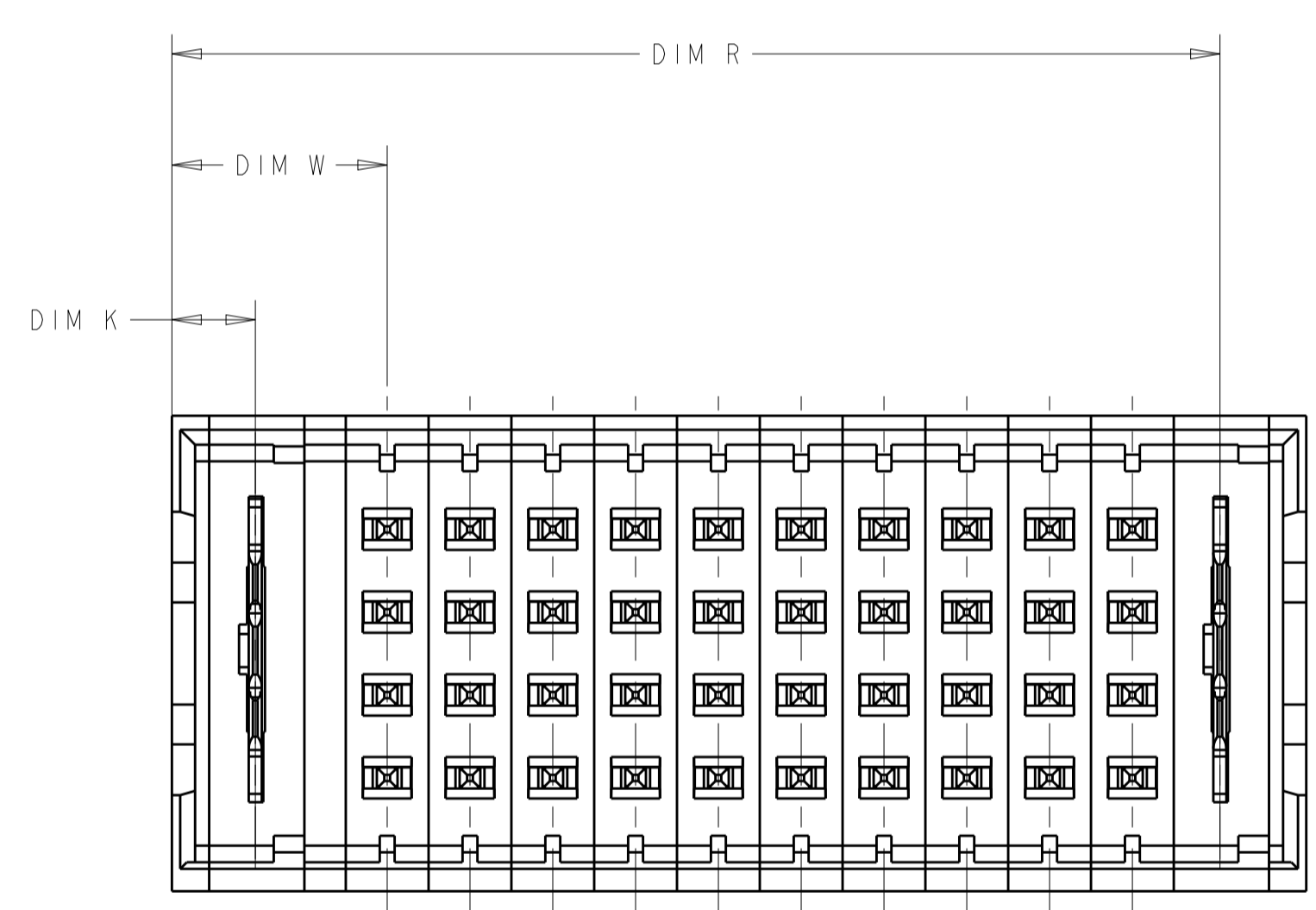
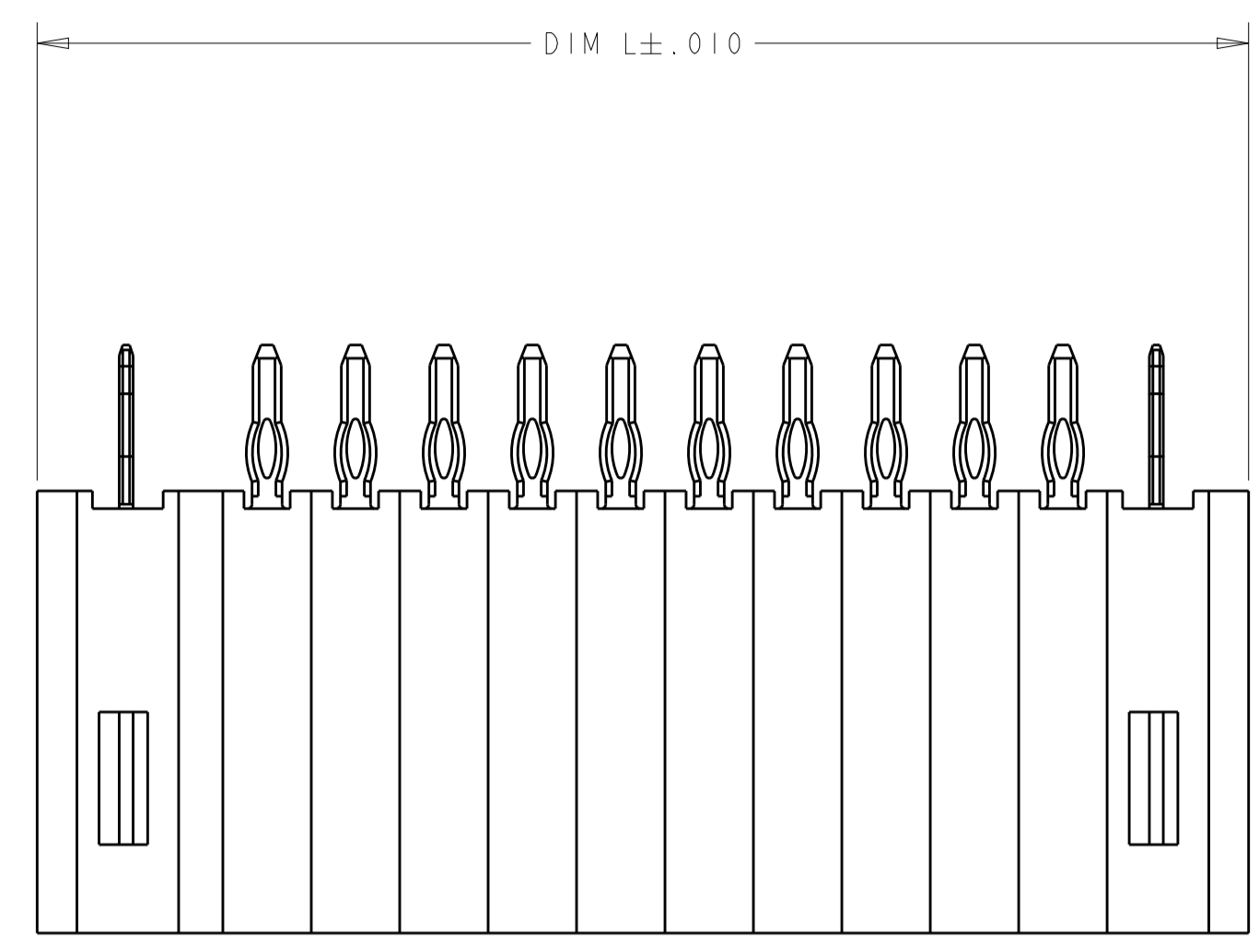
PRODUCT SPEC: 108-2292
 APPLICATION SPEC: 114-13251

SIZE: A1 CAGE CODE: 6450829 DRAWING NO: 100779
 WEIGHT: -

MATERIAL: FINISH:

CUSTOMER DRAWING SCALE: 5:1 SHEET 1 OF 3 REV: A2

| LOC | DIST | REVISIONS | | | | | |
|-----|------|-----------|-----|-------------|------|-----|------|
| | | P | LTN | DESCRIPTION | DATE | DMN | APVD |
| ES | 00 | - | - | SEE SHEET 1 | - | - | - |
| | | | | | | | |
| | | | | | | | |



6450829-2 VIEW
 FOR CONFIGURATION "LP/S/LP",
 OTHER DIMENSIONS PLEASE REFER TO PAGE 1

| | | | |
|---|--|--------------------------|--|
| THIS DRAWING IS A CONTROLLED DOCUMENT. | | DMN MAC LIU 26SEP2011 | |
| DIMENSIONS: INCHES | | CHK S. ZHAO 26SEP2011 | |
| TOLERANCES UNLESS OTHERWISE SPECIFIED: 0 PLC ±. 1 PLC ±.01 2 PLC ±.01 3 PLC ±.005 4 PLC ±.0020 ANGLES ±2° FINISH | | APVD S. ZHAO | NAME VERTICAL HEADER W/O END MODULES PRESS FIT, MULTI-BEAM XLE |
| MATERIAL | | PRODUCT SPEC 108-2292 | SIZE 114-13251 |
| WEIGHT | | APPLICATION SPEC | RESTRICTED TO |
| CUSTOMER DRAWING | | SCALE 5:1 | SHEET 2 OF 3 |
| | | REV A2 | |

单击下面可查看定价，库存，交付和生命周期等信息

[>>TE Connectivity\(泰科\)](#)