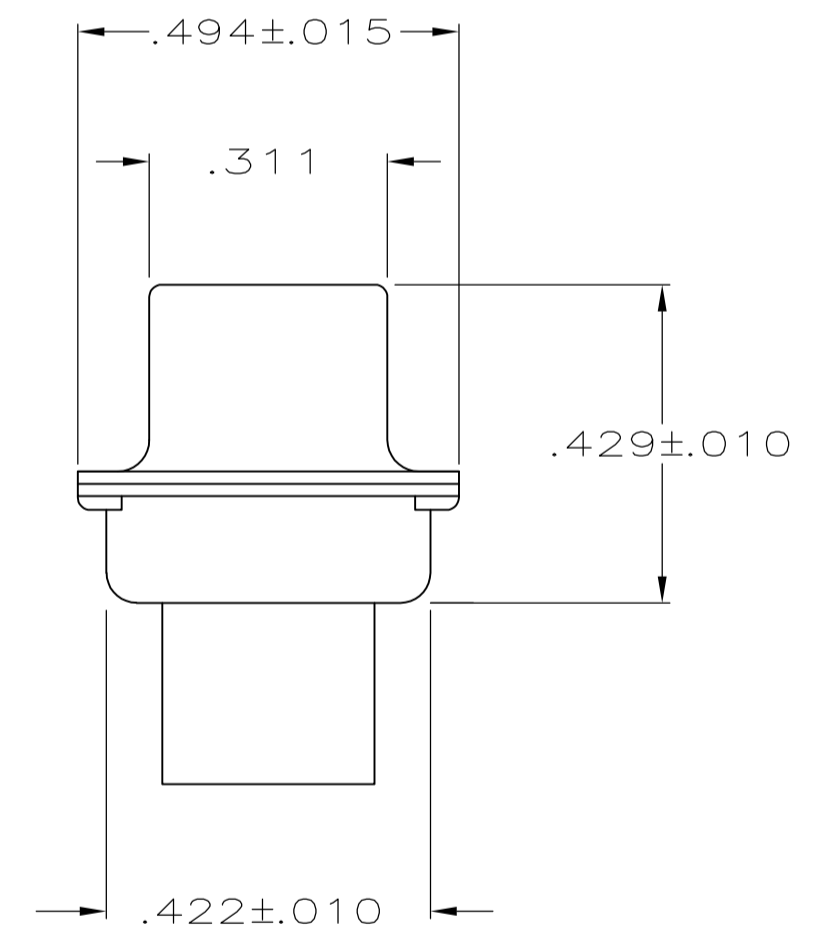
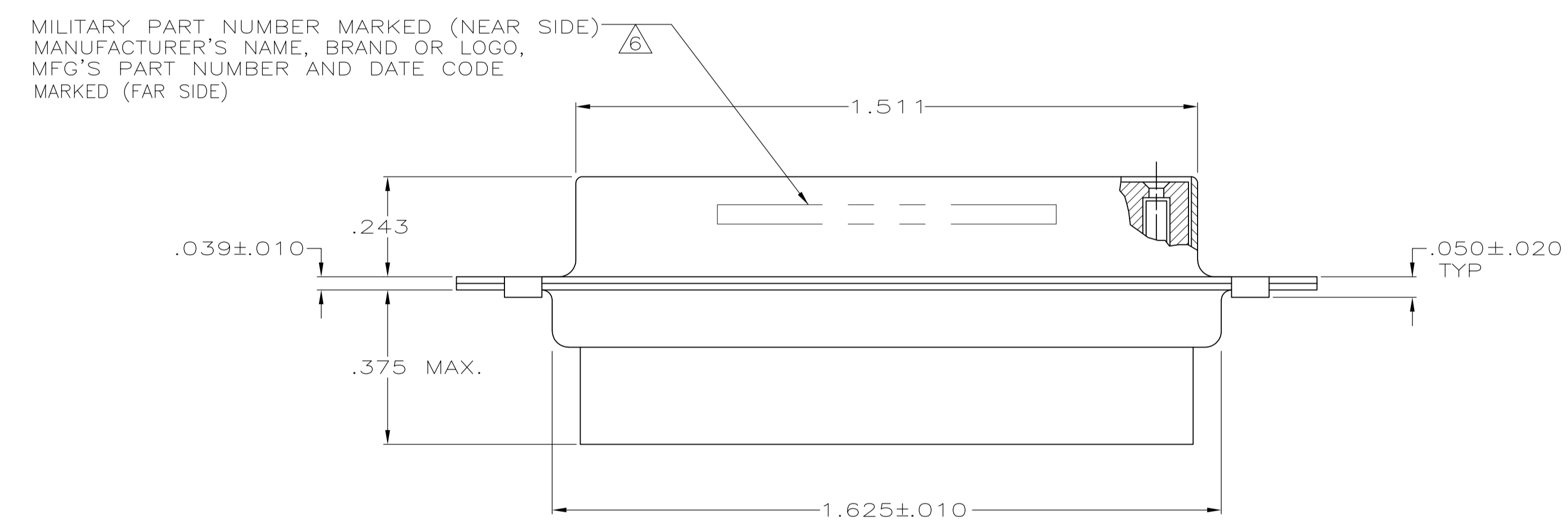
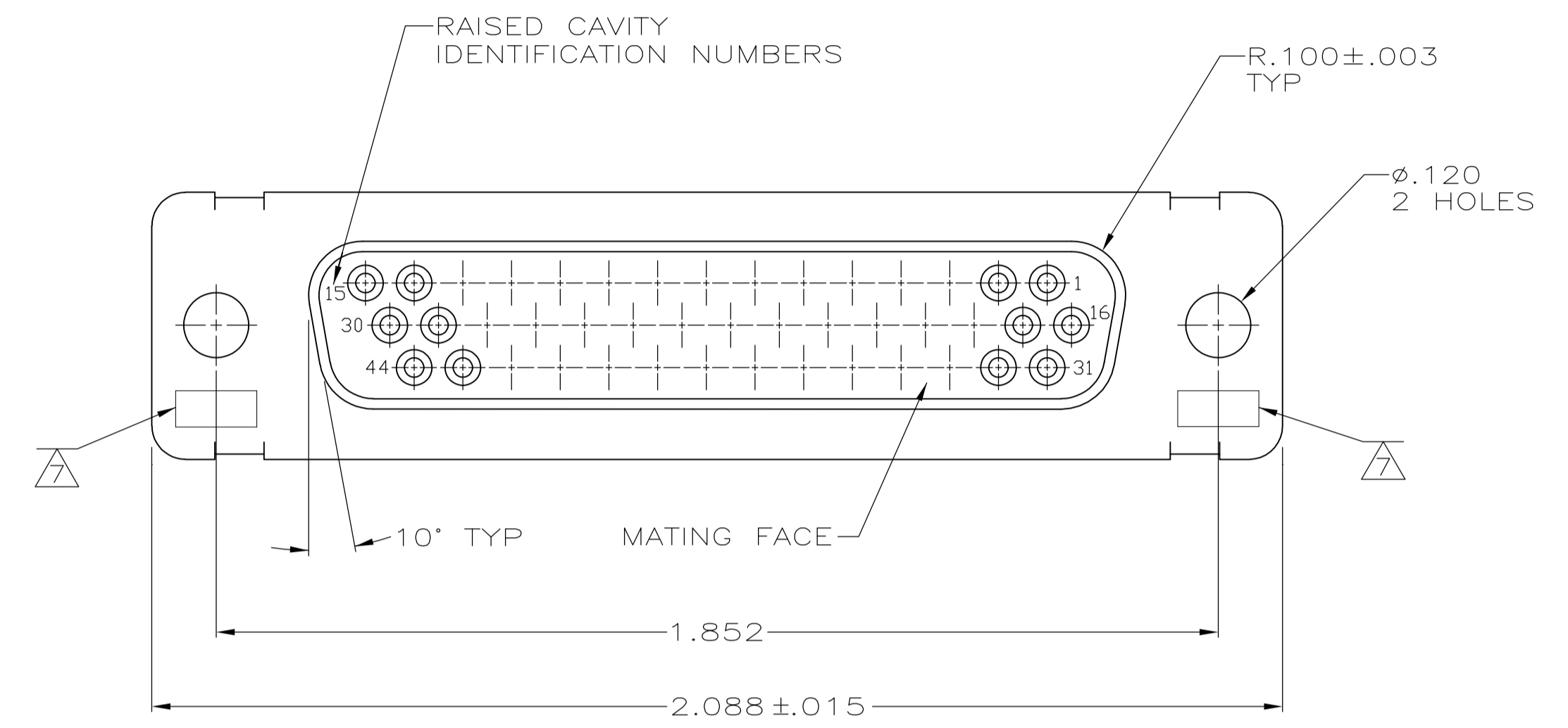


LOC		DIST		REVISIONS			
P	LTR	DESCRIPTION	DATE	DN	APVD		
AA	REVISED	PER ECO-15-016062	09NOV15	KG	CD		



1. THIS RCPT IS DESIGNED TO CONFORM TO THE LATEST ISSUE OF MIL-C-24308. EXCEPT AS NOTED HEREIN.
2. MAX WIRE INSUL TO BE USED WITH THIS RCPT IS ϕ .054.
3. METAL RETENTION CLIPS ARE INCLUDED IN INSERTS.
4. PACKAGE STAMPED M24308/2-288F.
5. THIS RCPT WILL ACCEPT SIZE 22 SOCKET CONTACT M 39029/57-354 OR ANY TE HDD-22 SOCKET CONTACT.
6. MFG'S PART NO. STAMPED ON CONNECTOR REPRESENTS KIT NUMBER WITH CONTACTS.
7. UL & CSA DESIGNATION STAMPED ON SHELL, OPTIONAL.
8. POLYPHENYLENE SULFIDE (PPS) GST-40F PER MIL-M-24519 OR GLASS FILLED POLYESTER TPES013G30 PER ASTM D5927
9. PHENOLIC
COLOR: BLACK
OR POLYPHENYLENE SULFIDE(PPS)
PER MIL-M24519, TYPE GST-40F
COLOR: BLACK
10. STEEL PER ASTM-A-109 OR EQUIVALENT.
11. BRASS PER ASTM-B-36.
12. FINISH: CADMIUM PER QQ-P-416, TYPE II, CLASS 2 OVER COPPER PER AMS2418, CLASS 4.
13. FINISH: ZINC .000200-.000400 THK., YELLOW CHROMATE.
14. FINISH: TIN PER ASTM-B-545, .000200 MIN THK THK OVER COPPER PER AMS2418, .000050 MIN THK.
15. PACKAGE STAMPED M24308/6-288F.
16. FINISH: BRIGHT TIN PER ASTM-B-545, .000400-.000550 THK OVER COPPER PER AMS2418, .000050 MIN THK.

-	8	10	16	204504-5	-	204504-5
-	8	10	14	-	-	204504-4
SUPSD. BY 206504-1	-	9	10	-	-	204504-3
SUPSD. BY 206064-4	7	8	11	204504-4	M24308/6-13F	204504-2
	4	8	10	204516-2	M24308/2-13F	204504-1
REMARKS	INSERT MATERIAL	SHELL MATERIAL	SHELL FINISH	INK STAMP MFG'S PART NO.	MARKED MILITARY PART NUMBER	PART NUMBER

THIS DRAWING IS A CONTROLLED DOCUMENT.

DIMENSIONS: INCHES	TOLERANCES UNLESS OTHERWISE SPECIFIED:	0 PLC ± -	1 PLC ± -	2 PLC ± -	3 PLC ± .005	4 PLC ± -	ANGLES ± 0',30'
MATERIAL SEE TABLE	FINISH SEE CALLOUTS	WEIGHT	SIZE	CAGE CODE	DRAWING NO	RESTRICTED TO	
			A1	00779	204504		

CUSTOMER DRAWING SCALE 4:1 SHEET 1 OF 1 REV AA

STE TE Connectivity
 AMPLIMITE RCPT FOR SOCKET CONTACTS
 HI-DENSITY CONNECTOR
 SIZE 3, 44 POSITION, SERIES 90

单击下面可查看定价，库存，交付和生命周期等信息

[>>TE Connectivity\(泰科\)](#)