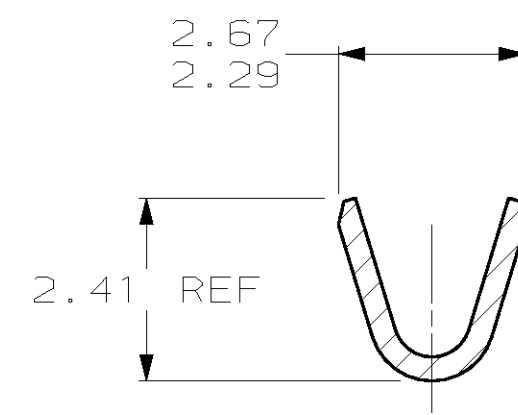
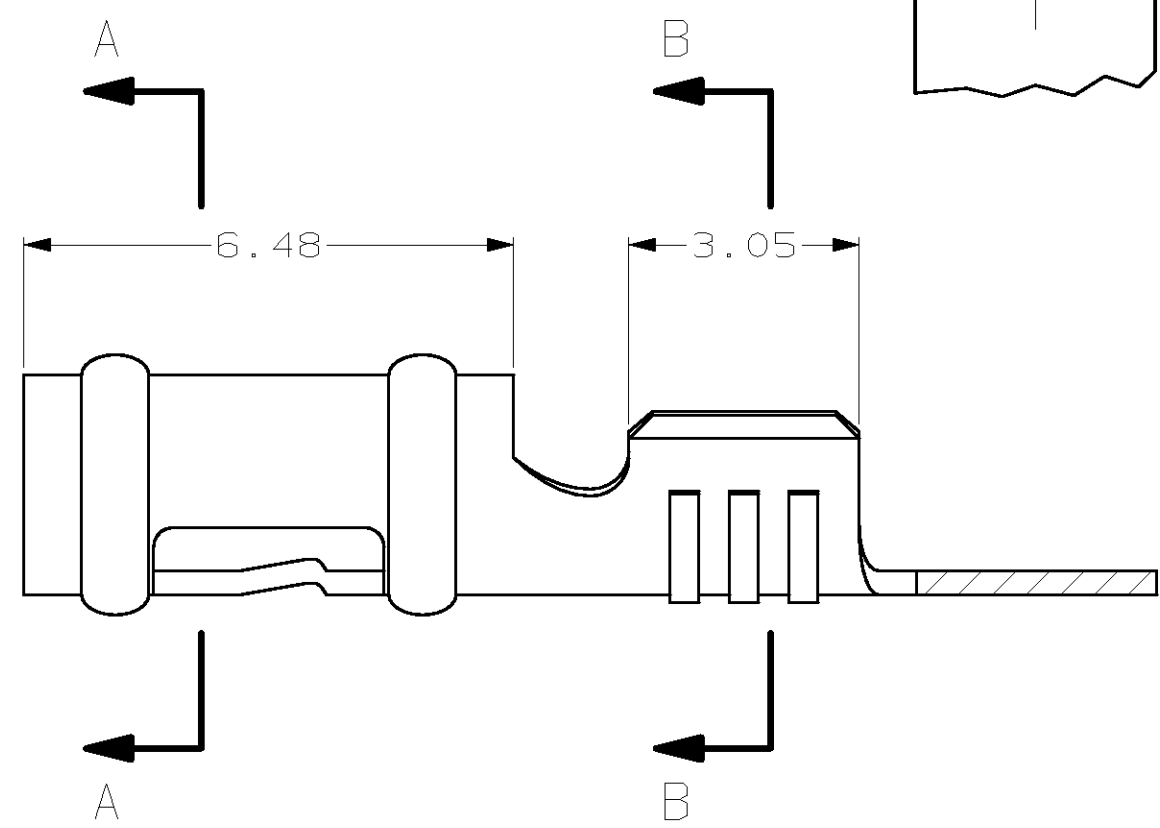
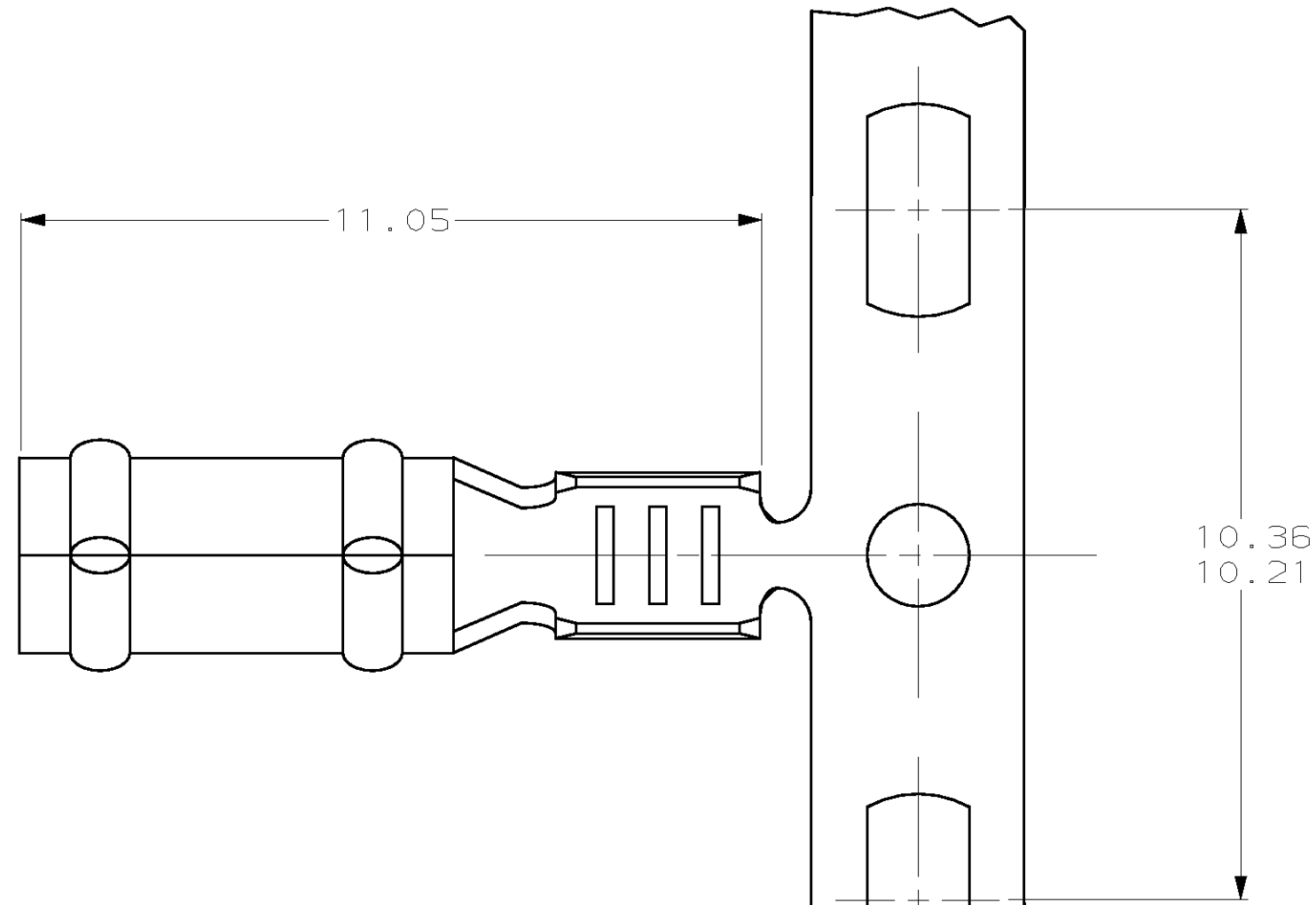


THIS DRAWING IS UNPUBLISHED. RELEASED FOR PUBLICATION .19  
 (C) COPYRIGHT 19 BY AMP INCORPORATED. ALL RIGHTS RESERVED.

LOC		DIST		REVISIONS			
P	LTR	DESCRIPTION	DATE	DWN	APVD		
CM	52	G	REV PER EC 061B-0242-98	20-JAN-99	JH	RS	

1. WIRE RANGE: 0.3 - 0.9 MM<sup>2</sup> (22 - 18 AWG)



MINI	350015-2
STANDARD	350015-1
APPLICATOR	PART NUMBER

2.29	.090	2.67	.105	10.21	.402	-	-
0.32	.013	2.41	.095	6.48	.255	11.05	.435
0.13	.005	2.36	.093	3.05	.120	10.36	.408
MM	IN	MM	IN	MM	IN	MM	IN

CONVERSION TABLE

**METRIC**

THIS DRAWING IS A CONTROLLED DOCUMENT.		DWN	T. BECK	6-17-97
DIMENSIONS:		CHK	R. SWING	6-17-97
mm	TOLERANCES UNLESS OTHERWISE SPECIFIED:	APVD	A. BEDDICK	8-22-97
0 PLC ±	1 PLC ±	PRODUCT SPEC	108-1025	
2 PLC ±0.13	3 PLC ±	APPLICATION SPEC	114-1008	
4 PLC ±	ANGLES ±	WEIGHT	-	
MATERIAL	FINISH	CUSTOMER DRAWING		
0.32 PH BRZ	PRE TIN	SIZE	A2	RESTRICTED TO
		CAGE CODE	00779	
		DRAWING NO	C-350015	
		SCALE	10:1	
		SHEET	1	
		OF	1	
		REV	G	

AMP Incorporated  
Harrisburg, PA 17105-3608

RECEPTACLE, .093 DIAMETER, 22-18 AWG, P.C. CONTACT

350015

单击下面可查看定价，库存，交付和生命周期等信息

[>>TE Connectivity\(泰科\)](#)