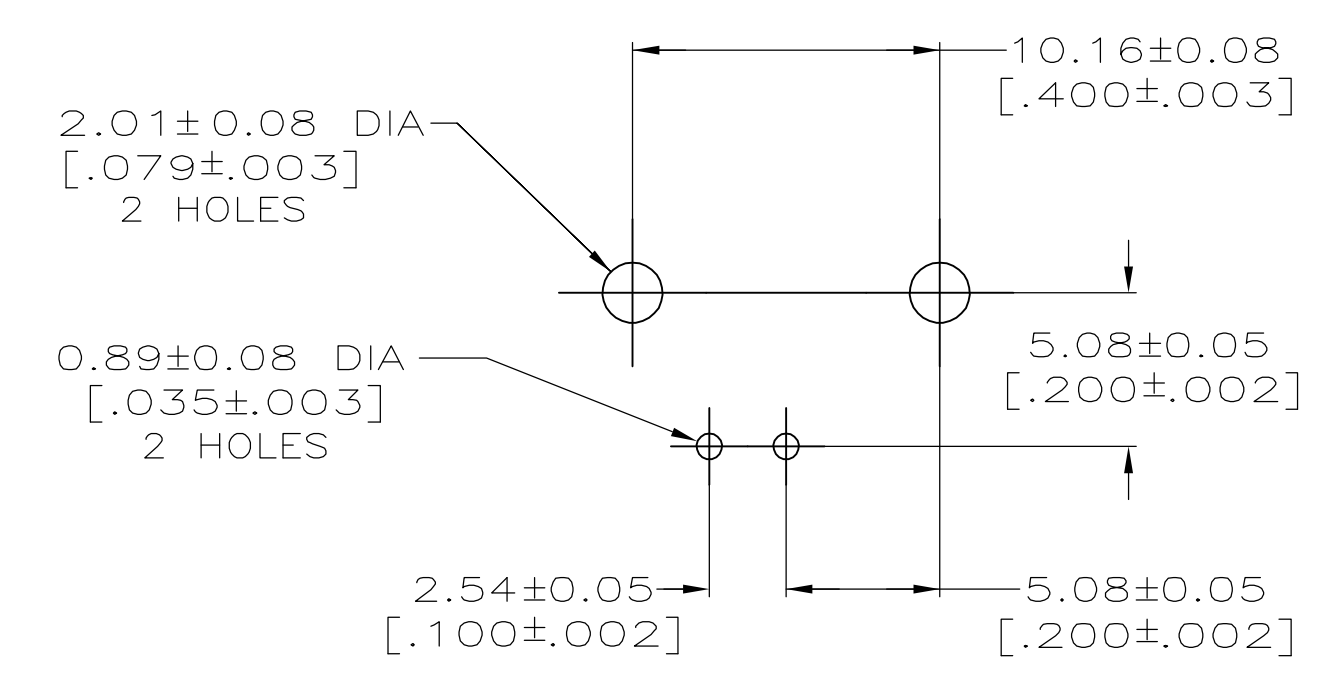
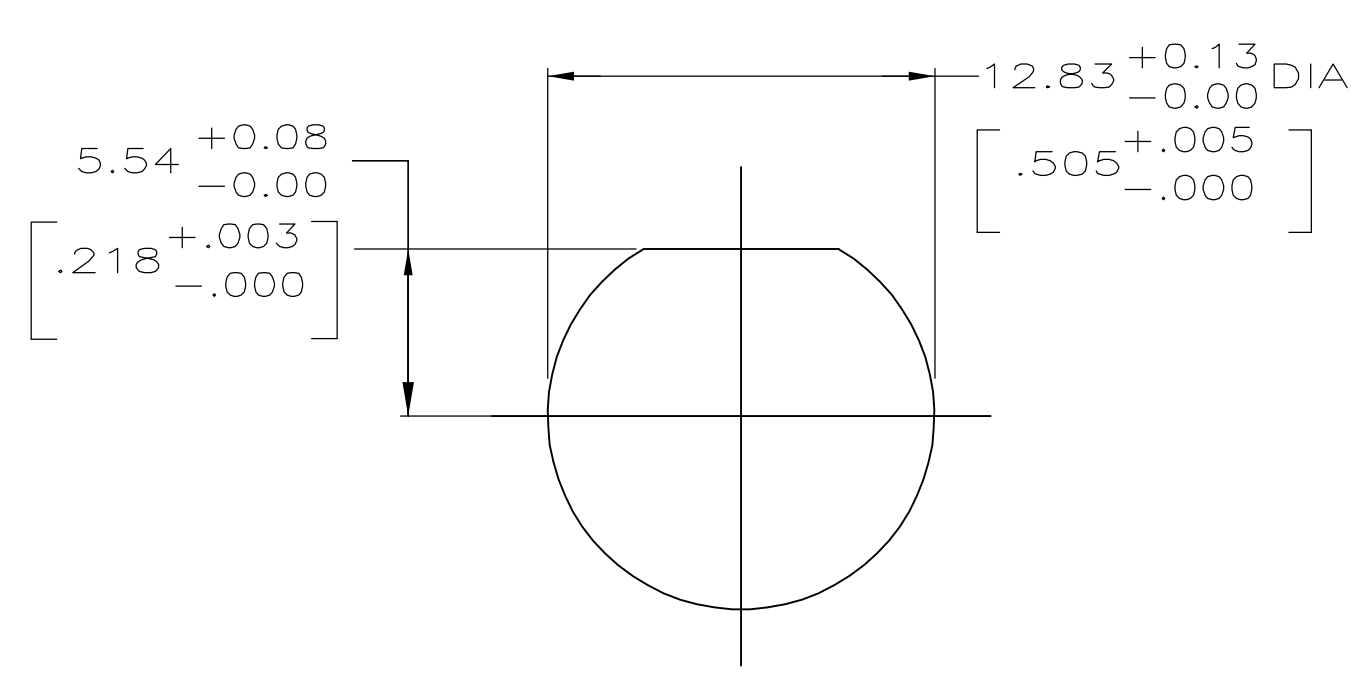
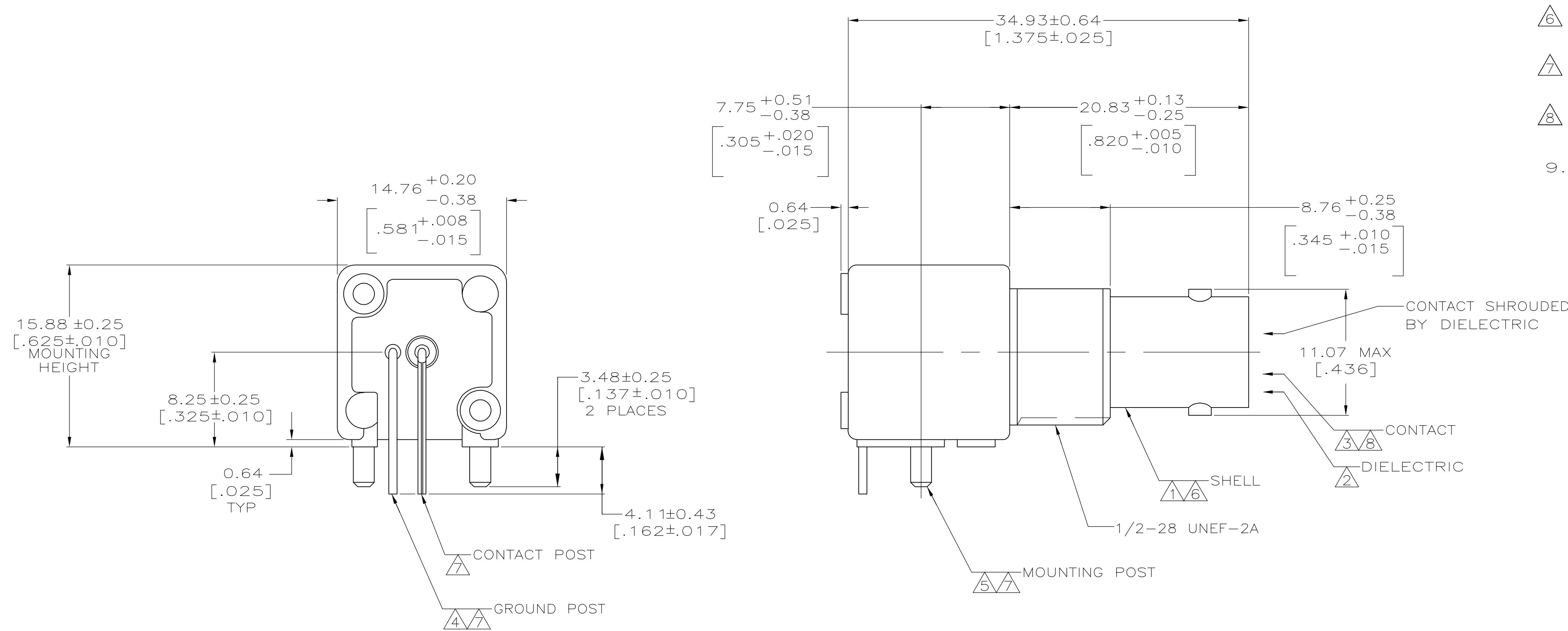


- ① ZINC PER QQ-Z-363.
- ② POLYMETHYLPENTENE, GENERAL PURPOSE.
- ③ PHOSPHOR BRONZE PER QQ-B-750.
- ④ BRASS PER ASTM-B-453.
- ⑤ BRASS PER ASTM-B-16.
- ⑥ NICKEL PLATE PER QQ-N-290, 3.81 μm [.000150] MINIMUM THICK.
- ⑦ TIN PLATE PER ASTM-B-545, 3.81 μm [.000150] MINIMUM THICK.
- ⑧ GOLD PLATE PER ASTM-B-488, 0.76 μm [.000030] MINIMUM THICK.
- ⑨ SEE INSTRUCTION SHEET 408-2769.



5414409-1
 PART NUMBER

THIS DRAWING IS A CONTROLLED DOCUMENT.		DWN: J. ALCORTA - 26APR2005		Tyco Electronics Corporation	
		CHK: J. HAVENER - 26APR2005		Harrisburg, PA 17105-3608	
DIMENSIONS: mm [INCHES]		APROD: J. LIPPERT - 26APR2005		NAME: JACK, RIGHT ANGLE, PCB	
TOLERANCES UNLESS OTHERWISE SPECIFIED:		PRODUCT SPEC: 108-12078		75 OHM, SERIES BNC	
0 PLC ± -		APPLICATION SPEC: -		RESTRICTED TO: -	
1 PLC ± -		SIZE: A1		CAGE CODE: 00779	
2 PLC ± 0.20 [.008]		DRAWING NO: 5414409		SHEET 1 of 1	
3 PLC ± -		WEIGHT: -		REV A	
4 PLC ± -		CUSTOMER DRAWING		SCALE: 4:1	
ANGLES ± -					
FINISH SEE NOTES 6 - 8					

单击下面可查看定价，库存，交付和生命周期等信息

[>>TE Connectivity\(泰科\)](#)