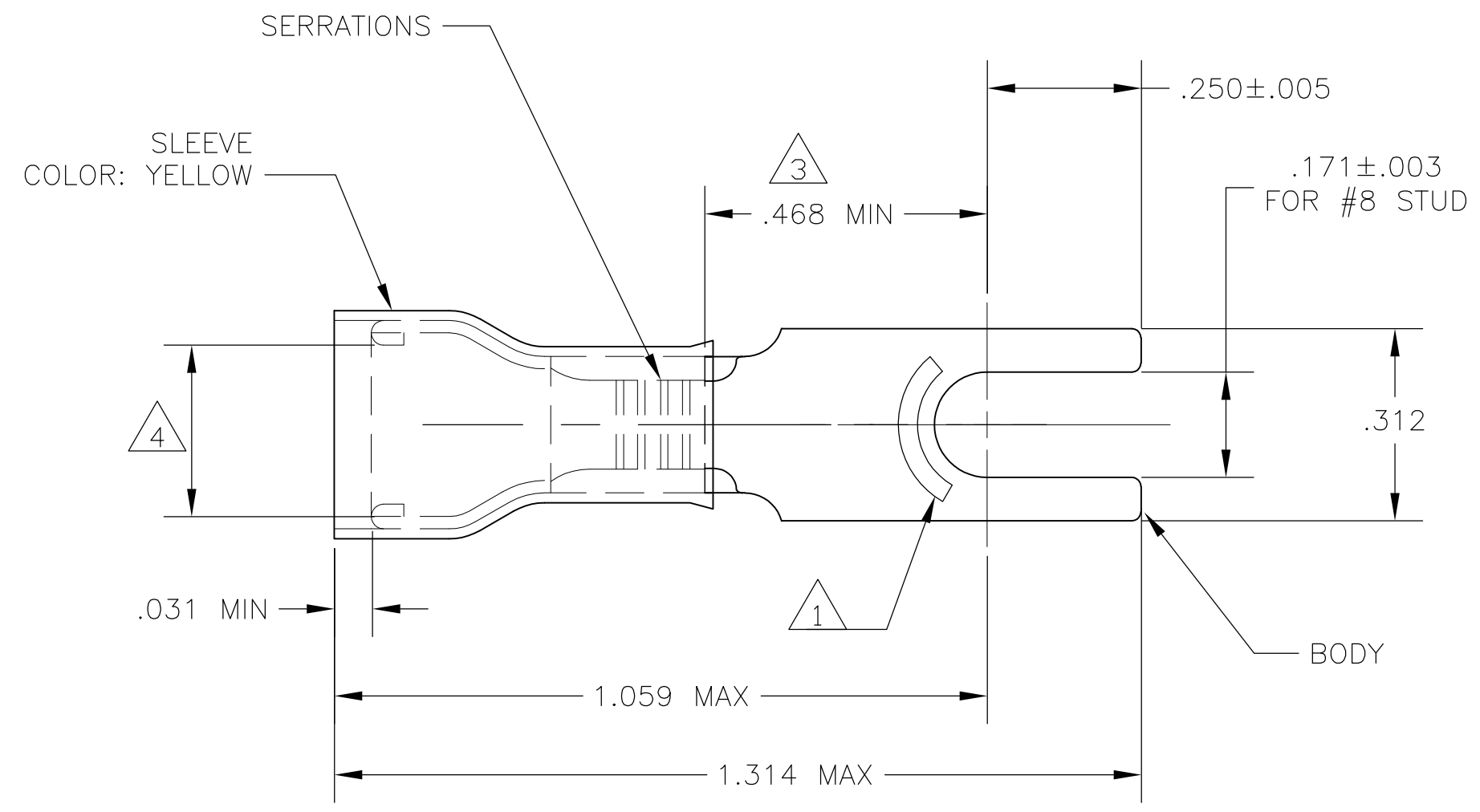


THIS DRAWING IS UNPUBLISHED. RELEASED FOR PUBLICATION
 © COPYRIGHT - BY TYCO ELECTRONICS CORPORATION. ALL RIGHTS RESERVED.

LOC	DIST	REVISIONS					
G	14	P	LTR	DESCRIPTION	DATE	DWN	APVD
			C1	REV PER ECR 07-015225	26JUN07	JR	TM

- 1 STAMP "AMP 12-10*", LOCATION APPROX AS SHOWN.
- 2 TONGUE THICKNESS IS .039±.002
- 3 APPLIES TO EDGE OF METAL WIRE BARREL TO CENTER OF STUD HOLE.
- 4 WIRE INSULATION DIA RANGE .150-.230
- 5 BODY - COPPER PER ASTM B-152 SLEEVE - COPPER PER ASTM B-152 INSULATION - NYLON
- 6 BODY - TIN PL PER ASTM B-545 SLEEVE - TIN PL PER ASTM B-545 INSULATION - COLOR - YELLOW
- 7 105°C MAX OPERATING TEMPERATURE.
- 8 300 VOLT MAX
- 9 2.62-6.64mm² [5,180 - 13,100 CMA] SOLID OR STRANDED
- 10 PRELIMINARY - NOT FOR PRODUCTION



-	ON TAPE	10 2-325197-1
500	LOOSE PIECE	325197
QTY	PACKAGE TYPE	PART NO

THIS DRAWING IS A CONTROLLED DOCUMENT.		DWN jr_ruth 27jun07	Tyco Electronics Corporation Harrisburg, PA 17105-3608	
DIMENSIONS: INCHES		CHK T MICHELUTTI 27JUN07	NAME	
TOLERANCES UNLESS OTHERWISE SPECIFIED:		APVD T MICHELUTTI 27JUN07	TERMINAL , SPADE , PIDG, WIRE SIZE 12-10	
0 PLC ± -		PRODUCT SPEC	-	
1 PLC ± -		APPLICATION SPEC	-	
2 PLC ± -		WEIGHT -	SIZE A3	CAGE CODE 00779
3 PLC ± .008		FINISH	DRAWING NO	RESTRICTED TO
4 PLC ± -			C-325197	-
ANGLES ± 5°		CUSTOMER DRAWING		
MATERIAL 5		SCALE 4:1 SHEET 1 OF 1 REV C1		

单击下面可查看定价，库存，交付和生命周期等信息

[>>TE Connectivity\(泰科\)](#)