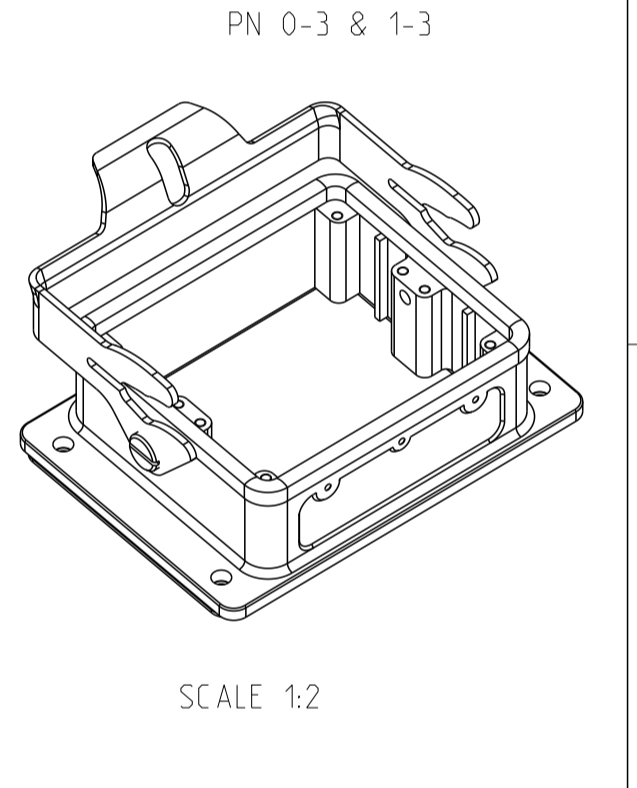
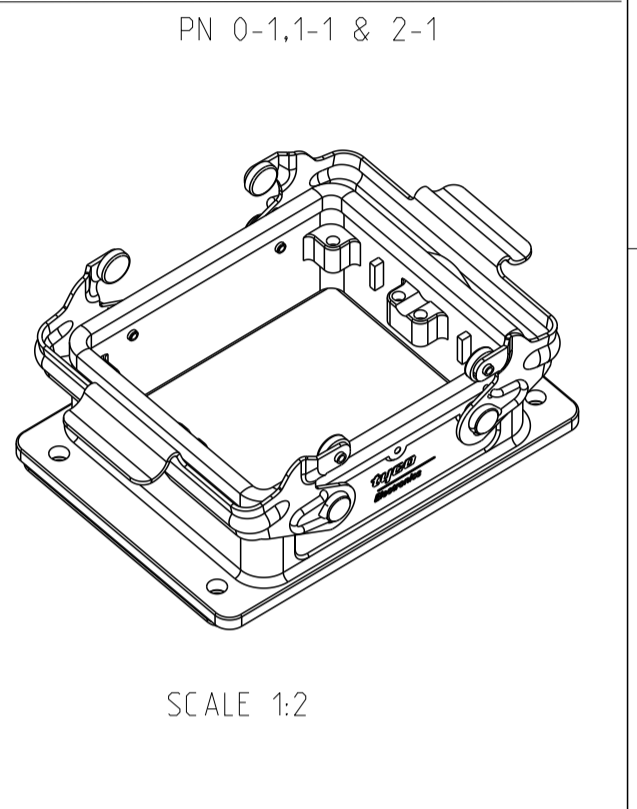
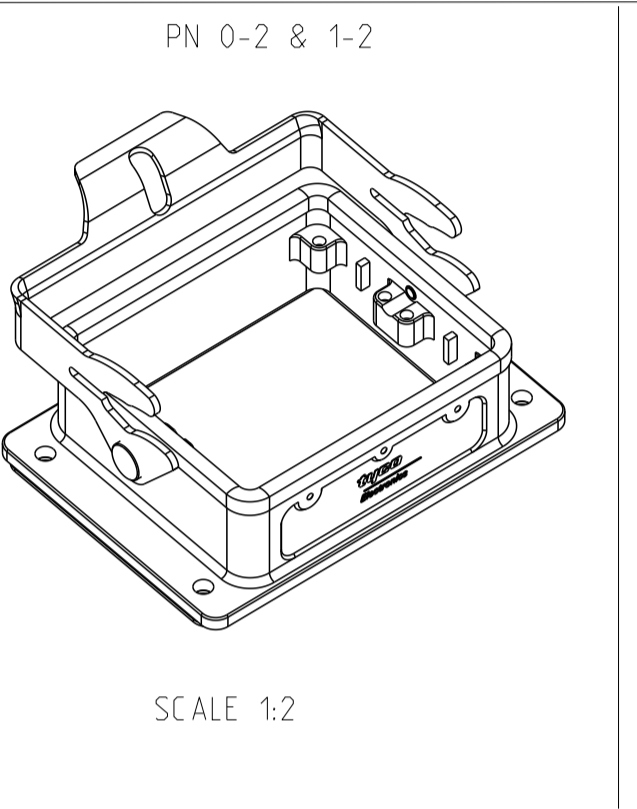
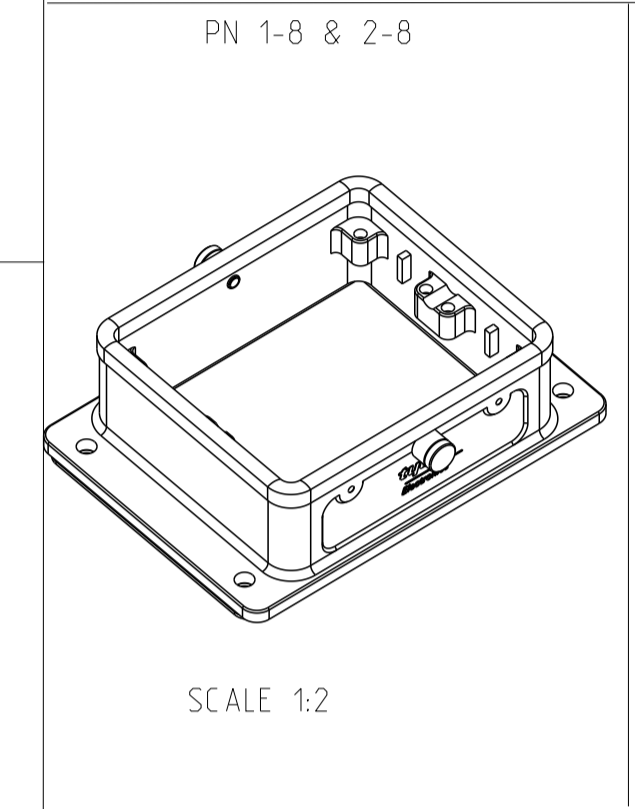


REVISIONS					
P	LTA	DESCRIPTION	DATE	OWN	APVD
A8		ECR - 001736	23SEP2009	GW	ST
A9		ECR-09-022013	09OCT2009	AR	ST
A10		ECR-16-015318	26OCT2017	GR	MKO
A11		REVISED PER ECR-17-013084	12JAN2018	SRG	MKO

- NOTES.
- 1 Material:Housing:Aluminium Diecasting Alloy
Seals Neoprene
 - 2 Surface:Aluminium oxide + Varnish black - Grey
 - 3 Varnish on the inside not necessary
 - 4 TE Logo removed.
 - 5 Packaging Quantity 3 Pieces in a box



QTY	DESCRIPTION	MATERIAL	SURFACE	COLOR	ITEM NO	NOTES
1	Flange seal	Viton		Grey	17	
1	Profile seal	Viton		Grey	16	
1	Surface mounted housing bottom entry HB	Aluminium		Grey	15	Neutral
1	Flange seal	Rubber		Black	14	
1	Profile seal	Neoprene		Black	13	
2	ZB-Slide spool	Stainless steel			12	
2	ZB-Slide spool	Steel	Zinc plated	Blue	11	
2	ZB-Clip bolt	stainless steel			10	
2	ZB-Clip bolt	Steel	Zinc plated	Blue	9	
2	LB-Clip positioner	Steel	Zinc plated	Blue	8	
1	LB-Side clip	Steel	Zinc plated	Blue	7	
4	VS-Clip positioner	Stainless steel			6	
4	VS-Clip positioner	Steel	Zinc plated	Blue	5	
2	VS-Side clip	stainless steel			4	
2	VS-Side clip	Steel	Zinc plated	Blue	3	
1	Surface mounted housing bottom entry HB-K	Aluminium	Aluminium oxide	Black	2	
1	Surface mounted housing bottom entry HB	Aluminium		Grey	1	

THIS DRAWING IS A CONTROLLED DOCUMENT. DWN: Schneider 27.09.2002
 CHK: Schweiger 27.09.2002

TE Connectivity

Surface mounted housing bottom entry HB.32.AGD

SCALE 1:1 SHEET 1 OF 1 REV. A.11

单击下面可查看定价，库存，交付和生命周期等信息

[>>TE Connectivity\(泰科\)](#)