

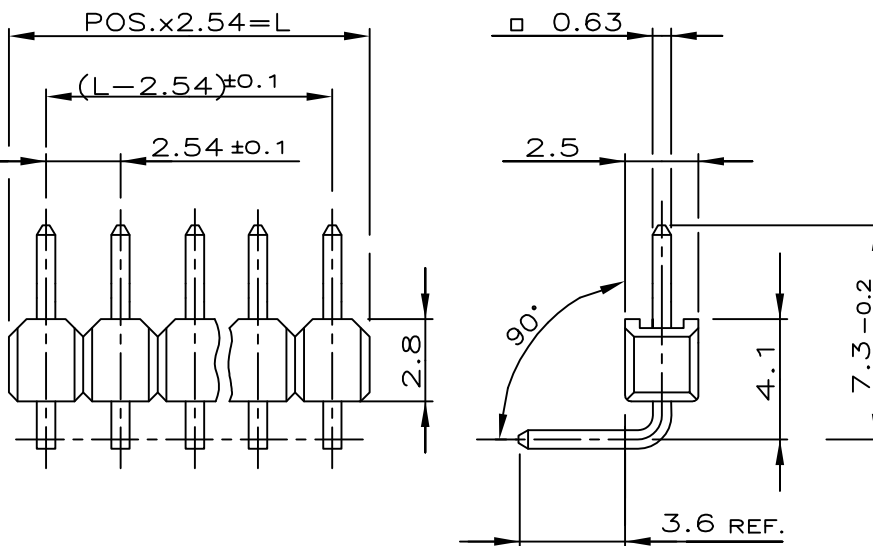
REVISIONS

P	LTR	DESCRIPTION	DATE	DWN	APVD
	A	Contact pin material change from CuSn to CuZn	20SEP2017	KJK	PS

NOTES:

- ① MIN. 3.0µm TIN OVER 1.27µm NICKEL
- ② OBSOLETE PARTS: OBSOLETE CIS STREAMLINING PER D.RENAUD/D.SINISI

POS.	L±0.4	PART NUMBER
-	-	-
2	5.08	829489 -2
3	7.62	-3
4	10.16	-4
5	12.70	-5
6	15.24	-6
7	17.78	-7
8	20.32	-8
9	22.86	-9
10	25.40	-1
11	27.94	-1
12	30.48	-1
13	33.02	-1
14	35.56	-1
15	38.10	-1
16	40.64	-1
17	43.18	-1
18	45.72	-1
19	48.26	-1
20	50.80	-2
21	53.34	2-
22	55.88	2-
23	58.42	2-
24	60.96	2-
25	63.50	2-
26	66.04	2-
27	68.58	2-
28	71.12	2-
29	73.66	2-
30	76.20	3-
31	78.74	3-
32	81.28	3-
33	83.82	3-
34	86.36	3-
35	88.90	3-
36	91.44	3-
37	93.98	3-
38	96.52	3-
39	99.06	3-
40	101.60	4-
41	104.14	4-
42	106.68	4-
43	109.22	4-
44	111.76	4-
45	114.30	4-
46	116.84	4-
47	119.38	4-
48	121.92	4-
49	124.46	4-
50	127.00	5- 829489 -0



CONTACT PIN	CuZn	①
PIN HOUSING	PBT	GREEN
DESCRIPTION	MATERIAL	COLOR/FINISH

RELEASED FOR PUBLICATION

ALL RIGHTS RESERVED.

© COPYRIGHT - TE Connectivity

THIS DRAWING IS UNPUBLISHED.

DIMENSIONS: mm TOLERANCES UNLESS OTHERWISE SPECIFIED: ±0.2mm 0 PLC ± - 1 PLC ± - 2 PLC ± - 3 PLC ± - 4 PLC ± - ANGLES ± 1' 15"	DWN A.HO 14.08.89	MATERIAL SEE TABLE	FINISH -			
	CHK M. SCHAARSCHMIDT	TE Connectivity NAME AMPMODU II PIN HEADER 90 DEGREE				
APVD -	PRODUCT SPEC 108-18012			SIZE A4	CAGE CODE 00779	DRAWING NO C= 829489
	APPLICATION SPEC -	WEIGHT	CUSTOMER DRAWING	SCALE 4:1	SHEET 1 OF 1	REV A

单击下面可查看定价，库存，交付和生命周期等信息

[>>TE Connectivity\(泰科\)](#)