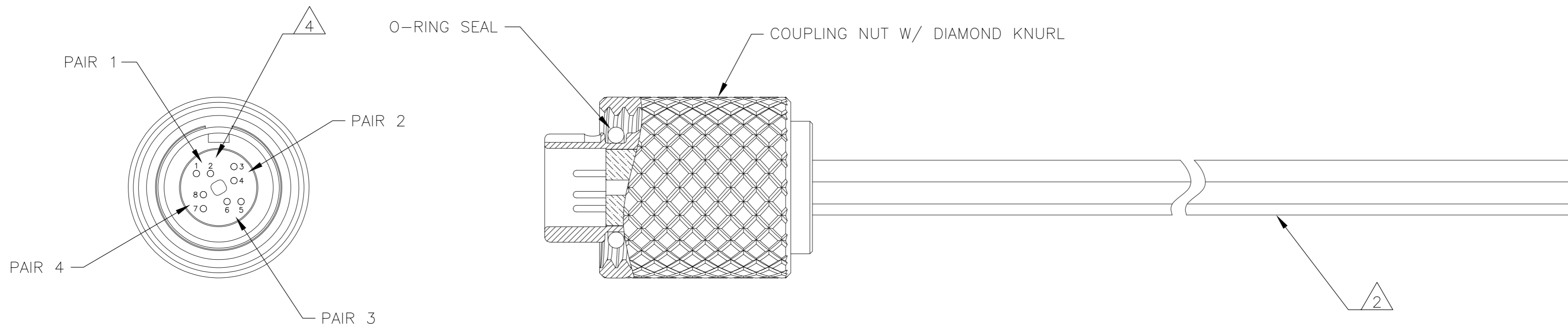
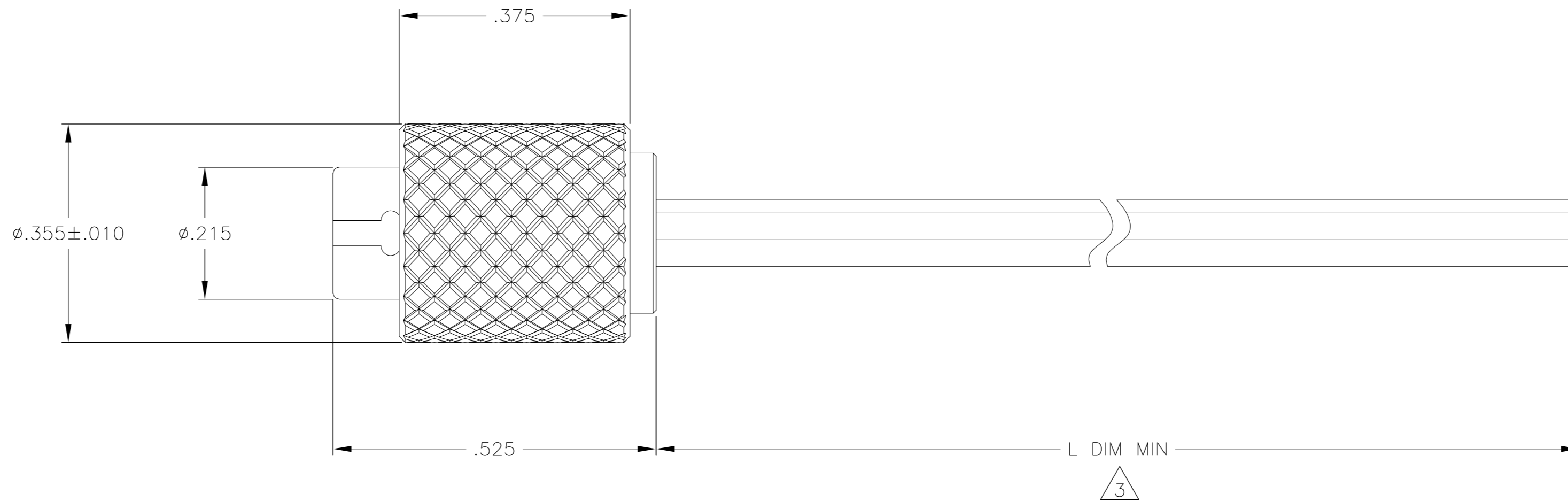


THIS DRAWING IS UNPUBLISHED. RELEASED FOR PUBLICATION  
 © COPYRIGHT - By - ALL RIGHTS RESERVED.

LOC		DIST		REVISIONS			
P	LTR	DESCRIPTION	DATE	DWN	APVD		
	A	PRODUCTION RELEASE PER ECO-13-014747	9-18-13	CT	RL		



- 1 CONNECTOR BODY AND COUPLING NUT MATERIAL:  
6061-T6 ALUMINUM, ELECTROLESS NICKEL PLATED PER SAE-AMS-C-26074 OR SAE-AMS-2404
- LOCKING RING MATERIAL: BERYLLIUM COPPER, ELECTROLESS NICKEL PLATED PER SAE-AMS-C-26074 OR SAE-AMS-2404
- INSULATOR MATERIAL: LIQUID CRYSTAL POLYMER (LCP) PER ASTM D5138
- O-RING MATERIAL: FLUOROSILICONE PER SAE-AMS-R-25988

- △ 2 TERMINATED WITH MADISON CABLE 30 AWG 10G TURBO TWIN PAIR
- △ 3 CABLE LENGTH IS AS INDICATED IN THE CORRESPONDING NANONICS PART NUMBER
- △ 4 CAVITY POSITIONS ARE SHOWN FOR REFERENCE ONLY AND ARE NOT MARKED ON THE PART
- 5 LUBRICATE O-RING WITH PARKER SUPER-O-LUBE PRIOR TO INSTALLATION
- 6 REFERENCE TE PRODUCT SPECIFICATION 108-32048 FOR PRODUCT DETAILS AND PERFORMANCE

THIS DRAWING IS A CONTROLLED DOCUMENT.		DWN M STORRY 31 JUL 2012		
DIMENSIONS: INCHES		CHK M STORRY 31 JUL 2012		
TOLERANCES UNLESS OTHERWISE SPECIFIED:		APVD M STORRY 31 JUL 2012		
0 PLC ± - 1 PLC ± - 2 PLC ± .010 3 PLC ± .005 4 PLC ± - ANGLES ± 1°		NAME		
MATERIAL SEE NOTES		FINISH SEE NOTES	PLUG ASSEMBLY, CIRCULAR, THREADED COUPLING, METAL, 8 POSITION, 10GbE, CeeLok FAS-T Nano Circular	
CUSTOMER DRAWING		WEIGHT -	SIZE A2	CAGE CODE 0JPN9
SCALE 6:1		DRAWING NO. 1925251		RESTRICTED TO -
SHEET 1 of 1		REV A		

单击下面可查看定价，库存，交付和生命周期等信息

[>>TE Connectivity\(泰科\)](#)